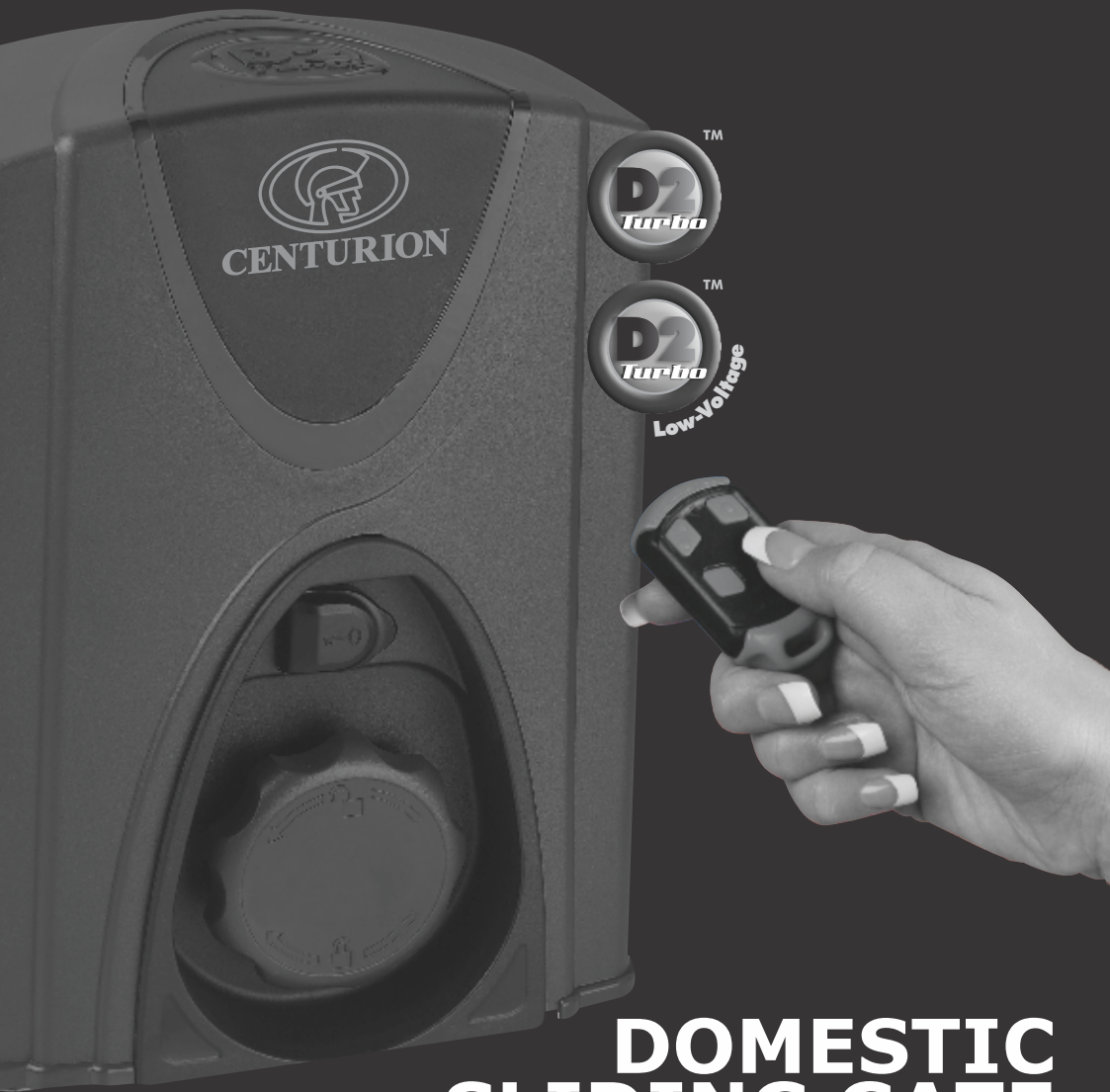


D2 Turbo and D2 Turbo Low-Voltage Installation Manual



DOMESTIC SLIDING GATE OPERATOR FOR 250KG GATES

Company Profile



1986



1990



1995



1999



Centurion Systems (Pty) Ltd
Today

**In-house
R & D
development
team**



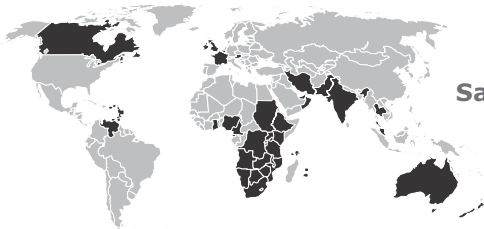
**Manufacture to
international
quality standard
ISO 9001:2008**



**100%
testing of
products**



**After-sales
technical support
from 07h00 - 18h00
Monday to Friday**



**Sales and technical support
to over 50 countries
worldwide**

Centurion Systems (Pty) Ltd reserves the right to make changes to the products described in this manual without notice and without obligation of **Centurion Systems (Pty) Ltd** to notify any persons of any such revisions or changes. Additionally, **Centurion Systems (Pty) Ltd** makes no representations or warranties with respect to this manual.

No part of this document may be copied, stored in a retrieval system or transmitted in any form or by any means electronic, mechanical, optical or photographic, without the express prior written consent of **Centurion Systems (Pty) Ltd**.



Contents



Mechanical Setup	page 1
Electrical Setup	page 2
Commissioning and Handover	page 2



IMPORTANT SAFETY FEATURES	page 3
----------------------------------	--------

1. Declaration of Conformity	page 6
2. General Description	page 7
3. Specifications	page 8
• Physical Dimensions	page 8
• Technical Specifications	page 8
4. Product Identification	page 10
5. Required Tools and Equipment	page 11
6. Glossary	page 12
7. Preparation of Site	page 13
8. Cabling Requirements	page 17
9. Lubrication	page 18
10. Operator Installation	page 19
• Foundation plate installation	page 21
• Cast foundation plate into concrete	page 21
• Bolt foundation plate onto an existing concrete plinth	page 23
• Retrofitting to an existing D3 foundation plate	page 25
11. Electrical Setup	page 38
12. Wiring Diagram for Closing Safety Beams	page 39
13. Wiring Diagram for Opening Safety Beams	page 40
14. Wiring Diagrams for External Radio Receiver	page 41
15. Wiring Diagrams for Other Inputs	page 42
16. Wiring Diagram for Pillar Light to the D2 Turbo Controller	page 43
17. Wiring Diagram for Pillar Light to the D2 Turbo Low-Voltage Controller	page 44
18. Mains Supply and Battery Connections	page 45
19. Earthing for Effective Lightning Protections	page 46
20. Commissioning the System	page 47
• Setting up the gate Limits	page 47
21. Features and Functions	page 49
22. Customising the Features and Functions	page 60

23.	Description of Terminal Functions	page 77
24.	Diagnostics	page 79
25.	Troubleshooting	page 80
26.	Manual Operation	page 84
27.	Additional Features	page 85
28.	Basic Maintenance	page 86
29.	Servicing the Operator	page 87
30.	Installation Handover	page 88



Mechanical Setup

These abbreviated instructions are for the experienced installer who needs a checklist to get a standard installation up and running in the minimum of time.

Detailed installation features and functions are referred to later in this manual.



Required tools and equipment page 11



Site considerations page 12



Cabling requirements page 15



Lubrication page 17



Operator installation page 17



Foundation plate installation page 19



Route cables page 26



Mount gearbox page 27



Mount the rack page 29

Electrical Setup



Connect all wiring

page 38-45

Commissioning and Handover



Set the gate limits

page 48



Set additional features

page 87



Carry out professional handover to client

page 90



FAST TRACK



IMPORTANT Safety Instructions

ATTENTION

To ensure the safety of people, it is important that you read all the following instructions. Incorrect installation or incorrect use of the product could cause serious harm to people.

The installer, being either professional or DIY, is the last person on the site who can ensure that the operator is safely installed, and that the whole system can be operated safely.

Warnings for the Installer

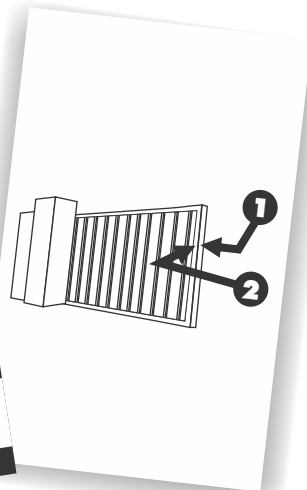
CAREFULLY READ AND FOLLOW ALL INSTRUCTIONS before beginning to install the product.

- All installation, repair, and service work to this product must be done by a suitably qualified person
- Do not activate your gate opener unless you can see it and can determine that its area of travel is clear of people, pets, or other obstructions
- **NO ONE MAY CROSS THE PATH OF A MOVING GATE.** Always keep people and objects away from the gate and its area of travel
- **NEVER LET CHILDREN OPERATE OR PLAY WITH THE GATE CONTROLS,** and do not allow children or pets near the gate area
- Secure all easily-accessed gate opener controls in order to prevent unauthorised operation of the gate
- Do not in any way modify the components of the automated system
- Do not install the equipment in an explosive atmosphere: the presence of flammable gas or fumes is a serious danger to safety
- Before attempting any work on the system, isolate electrical power and disconnect the batteries
- The mains power supply of the automated system must be fitted with an all-pole switch with contact opening distance of 3mm or greater. The use of a 5A thermal breaker with all-pole circuit break is recommended
- Make sure that an earth leakage circuit breaker with a threshold of 30mA is fitted upstream of the system
- Never short-circuit the battery and do not try to recharge the batteries with power supply units other than that supplied with the product, or supplied by Centurion Systems
- Make sure that the earthing system is correctly constructed, and that all metal parts of the system are suitably earthed



- Safety devices such as gate safety infrared beams must be fitted to the installation to guard against mechanical movement risks such as crushing, dragging and shearing
- It is recommended that at least one warning indicator light be fitted to every system
- Always fit the warning signs visibly to the inside and outside of the gate
- The installer must explain and demonstrate the manual override operation of the gate in case of an emergency, and must hand the User Guides and Safety/Warning documents over to the end-user
- Explain these safety instructions to all persons authorised to use this gate, and be sure that they understand the hazards associated with automated gates
- Do not leave packing materials (plastic, polystyrene, etc.) within reach of children as such materials are potential sources of danger
- Dispose of all waste products like packaging materials, worn-out batteries, etc, according to local regulations.
- Always check the obstruction detection system, and/or safety devices for correct operation prior to handover. During the handover of the system, explain to the end-user how to perform these checks to confirm that all safety devices are operating correctly
- Centurion Systems does not accept any liability caused by improper use of the product, or for use other than that for which the automated system was intended
- This product was designed and built strictly for the use indicated in the documentation provided with the product. Any other use, not expressly indicated within the documentation, could be a source of danger and/or compromise the service life/operation of the product

Everything not expressly specified in these instructions is not permitted.



Safety
FIRST

IMPORTANT Site Considerations for the D2 Turbo Low-Voltage

Before you attempt to use your new gate motor for the first time, you should know:

- **At no point must 220V be supplied to the system! This is a low-voltage model and connecting a voltage supply that exceeds its maximum specifications will irreparably damage the electronics**
- **No earth terminal is provided for the incoming power, and is not necessary, but the earthing lead must still be grounded to the motor base plate as this serves as lightning protection**
- **The diameter of the cable needed to supply power to the system will depend on the distance between the transformer and the motor, as well as on the output voltage of the transformer used. The table below shows the typical cable thicknesses for corresponding distance and assumes a 16V AC transformer output**

Distance from the transformer to the motor	Minimum cable thickness required
Up to 20m	1mm ²
20m - 40m	1.5mm ²
40m - 60m	2.5mm ²

TABLE 1.

Icons used in this Manual



This icon indicates tips and other information that could be useful during the installation.



This icon denotes variations and other aspects that should be considered during installation.



This icon indicates warning, caution or attention! Please take special note of critical aspects that MUST be adhered to in order to prevent injury.

1. Declaration of Conformity

Manufacturer

Centurion Systems (Pty) Ltd
Unit 13 Production Park
Intersection Newmarket Road & Epsom Avenue
North Riding
Gauteng
South Africa

Declares that the product

Product name: **D2 Turbo/D2 Turbo Low-Voltage Sliding gate operator**

Conforms with the following specifications

Safety: SANS 60335-1:2007
IEC 60335-1:2006

Emissions: CISPR 11 CLASS A - Radiated and conducted Interference field strength (emission tests) – 150KHz TO 6GHz

Immunity: IEC 61000-4-2 – Electrostatic discharge
IEC 61000-4-3 – Radiated immunity – 80MHz TO 1000MHz
IEC 61000-4-4 – Electrical fast transients/burst
IEC 61000-4-5 – Surges
IEC 61000-4-6 – Conducted immunity – 150KHz TO 80MHz
IEC 61000-4-11 – Voltage dips and interruption

Standard to which conformity is declared

IEC 60335-1:2006 Safety
IEC 61000-6-4:2006 Emissions
IEC 61000-6-2:2005 Immunity

Signed at North Riding, South Africa on April 14, 2010



Ian Rozowsky
Research & Development Director

2. General Description

The **D2 Turbo** is designed to open and close domestic sliding gates weighing up to 250kg. The gearbox, moulded from a high-tech engineering polymer not only looks good, but is corrosion-free and guarantees that even if you live on the coast, your **D2 Turbo** will just keep on going. A robust steel pinion ensures that your **D2 Turbo** can easily be retrofitted on sites with existing steel rack and will deliver years of reliable service.

The **D2 Turbo Low-Voltage** is a cost-effective domestic sliding gate motor for gates weighing up to 250kg. Its logic controller and onboard charger require only a low-voltage AC or DC input, which means there is no need for costly high-voltage cable runs or expensive isolators.

The integral 12V 5Ah battery (charged by an internal charger) comes with full battery backup and advanced lightning protection so you can always get in – even when the power is out. For increased power capacity you can install a larger, 7Ah battery (your **D2 Turbo** was designed to cater for this), or you can even use a solar panel to power it (See the section on Solar Panels, for more details about solar charging).

Advanced features of the D2 Turbo logic controller:

The **D2 Turbo** has various useful features and functions, all easily-accessible from a user-friendly dial-based setup system:

- Opening and closing safety beam inputs with beam circuit functional test★
- High-security cleared-beam Autoclose in conjunction with safety beam (PIRAC)★
- Multiple Modes of Operation: Standard Mode, Open only Mode (multi-user), Reversing Mode, and two Pre-flashing Modes
- Automatic closing with adjustable time delay, and pushbutton override
- Remote gate-status indicator (gate position, power failure, low battery, multiple collision detection and Pillar Light status indication)†
- Pedestrian Opening✱ (with adjustable Autoclose time)
- Holiday Lockout✱
- Courtesy/Pillar-Light timer (fixed duration), with pre-delays and two Pre-flashing Modes‡
- Selectable gate speed modes - Low Speed/High Speed (High Speed is the default)
- Positive Close Mode (e.g. ensure activation of electric fence contact switch)
- Onboard multichannel CENTURION code-hopping receiver with the ability to learn transmitter buttons to specific functions (e.g. Gate trigger, Pedestrian Opening, Holiday Lockout)

★ Infrared Safety Beams or equivalent detection device must be fitted

† Remote LED must be fitted

✱ Onboard receiver must be used or external access control device such as a keypad or keyswitch that must be fitted

‡ Pillar Lights/Pre-flash warning light must be fitted

3. Specifications

Physical dimensions



FIGURE 1. OVERALL DIMENSIONS

Technical specifications

	D2 Turbo		D2 Turbo Low-Voltage	
Input voltage	90V - 240V AC \pm 10%, 50Hz \star		10V - 20V AC \star 10V - 28V DC \star	
Battery charger amperage output (dependant on PSU input voltage)	Voltage output: 13.76V DC			
	90V AC input	1A output	10V AC input	400mA output
			20V AC input	1A output
	240V AC input	1.2A output	10V DC input	200mA output
20V DC input			1A output	
Motor voltage	12V DC			
Motor power supply	Battery-driven (standard capacity - 12V 5Ah) \dagger			
Current consumption (mains)	70mA		NA	

Technical specifications

	D2 Turbo	D2 Turbo Low-Voltage
Current consumption (motor at rated load)	8A	
Operator push force - starting	18kgf	
Operator push force - rated	9kgf	
Gate mass - maximum	250kg	
Gate length - maximum	20m	
Gate speed (varies with load)*	24m/min	
Manual Override	Lockable with key release	
Life expectancy of electric motor	Ten years (based on ten operations per day)	
Duty cycle - mains present**	50%	
Operations in standby with 5Ah battery		
Half day †	30	
Full day †	15	
Collision Sensing	Electronic	
Operating temperature range	-15°C to +50°C	
Onboard receiver type	Code-hopping multichannel receiver with selective add and delete	
Receiver code storage capacity	32 transmitter buttons	
Receiver frequency	433MHz	
Degree of protection	IP54	
Mass of unit packed (with standard kit, but excl. rack and battery)	4.83kg	
Packaging dimensions (with standard kit, but excl. rack and battery)	255mm wide x 188mm deep x 333mm high	

TABLE 2.

- ★ Can operate off a solar supply, consult your local dealer for assistance
- † Can increase battery capacity to 7Ah for longer standby times
- * Gate operating speed can be configured to run slower depending on the requirements of individual installations
- ⊗ Based on 25°C ambient temperature and unit not in direct sunlight
- ✱ Based on an operator push force of less than 50% of rated
- ◇ Based on four metre gate, excluding infrared Safety Beams

4. Product Identification

Refer to the drawings below, for how to identify your **D2 Turbo/D2 Turbo Low-Voltage** motor and its parts.

1. Motor fuse
2. Motor enclosure unit
3. Camlock cover
4. Manual Release thumbwheel
5. Foundation plate
6. Function Dial
7. Status LED
8. Pushbutton
9. **D2 Turbo** 220V orange controller
10. **D2 Turbo Low-Voltage** dark-green controller
10. Selection knob
11. 12V 7.2Ah or 5Ah battery
12. Battery strap
13. Pulley guard
14. Spare fuse
15. Gate-mounted origin marker
16. Origin marker bracket
17. Motor housing
18. Pinion
19. Pinion guard



FIGURE 2. PRODUCT IDENTIFICATION

5. Required Tools and Equipment

- Pull scale - 50kg
- Spanner - 17mm; 10mm
- Screwdriver - 3.5mm flat
- Allen key - 6mm; 4mm
- Crimping tool and pin lugs
- Side cutters
- Hacksaw
- Spirit level
- Measuring tape

If casting foundation plate into concrete:

- Pick
- Spade
- Long-nosed pliers

If bolting foundation plate onto existing plinth:

- Drilling equipment
- Masonry bits to suit rawlbolts being used

If retrofitting foundation plate to an existing D3 foundation plate:

- Grinder

If welding foundation plate and/or rack to gate:

- Welding equipment
- G-clamp, 6 inch x 2

If left-hand side of gearbox is mounted close to a post:

- Socket wrench
- Extension piece
- 17mm socket

If fastening rack to gate:

- Drilling equipment
- TEK screw socket

6. Glossary

- **DOSS:** Digital Origin Seeking System. An opto-electronic system that counts pulses in order to determine the position of the gate and the distance that it needs to travel to its respective endstops
- **IRBO:** Opening infrared Safety Beams. If the opening beams are interrupted while the gate is in the closed position, it will prevent the gate from opening. If they are interrupted while the gate is travelling in the open direction, it will stop and close the gate. It will have no effect upon a closing gate
- **IRBC:** Closing infrared Safety Beams. If the closing beams are interrupted while the gate is in the open position, it will prevent the gate from closing. If they are interrupted while the gate is closing, it will stop and open the gate. It will have no effect upon an opening gate
- **PIRAC Mode:** Passive infrared Autoclose Mode. This feature allows the gate to close automatically as soon as a vehicle or pedestrian has passed through the closing beam. This security feature ensures that the gate stays open for the minimum amount of time possible

7. Preparation of Site

WARNING!

Endstops are mandatory and must be fitted to prevent death or accidental injury should the gate overrun its limits



Endstops

- Fit endstops capable of stopping the gate at rated speed. Refer to specifications at the beginning of this manual for the operating speed
- **Make $H > h$ to ensure gate will not jump over endstop**

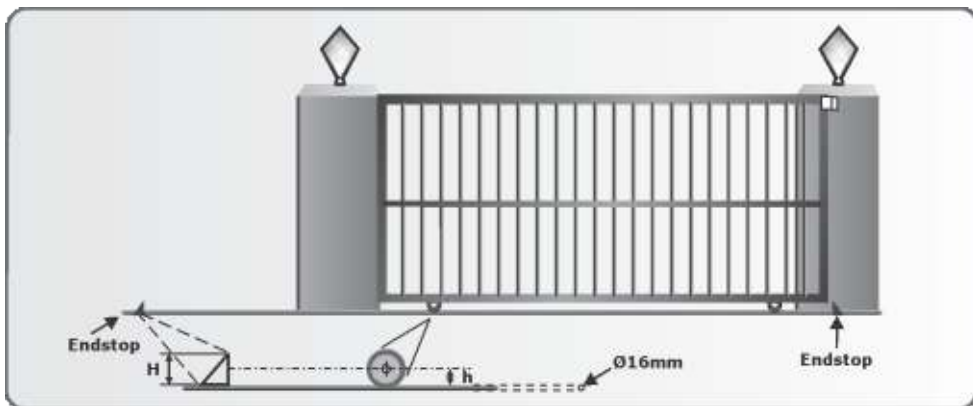


FIGURE 3. FITTING ENDSTOPS

General considerations for the installation

- Always recommend the fitment of additional safety equipment such as Safety Edges and Safety Beams, for additional protection against entrapment or other mechanical risks
- Check that no pipes or electrical cables are in the way of the intended installation
- Check that enough space is available for the gate operator with the gate in the required open position
- Check for loose, sandy soil if installing foundations, as the soil condition may require a larger foundation
- Never fit the operator on the outside of the gate, where the public has access to it

Install the gate operator only if

- It will not pose a hazard to the public
- There is sufficient clearance to a roadway and/or public thoroughfares
- The installation will meet all municipal and/or local authority requirements once completed
- The gate mass, length and application is within the operator specifications
- The gate is in good working order, meaning:
 - that it moves freely
 - does not move on its own if left in any position
 - it can be installed to have sufficient clearance between moving parts when opening and closing to reduce the risk of personal injury and entrapment
- Pushbuttons or keyswitches, when required, can be positioned so that the gate is in line of sight of the operator

Guide-rollers and anti-lift brackets

- Guide-rollers must ensure that the gate is held vertically
- For improved safety, fit additional support post to prevent gate from falling over if guide-rollers fail
- To prevent unauthorised access fit anti-lift brackets as shown
- The gap between the anti-lift bracket and the gate must be less than 5mm



Ensure that the gate cannot be lifted off the motor pinion with the anti-lift bracket fitted

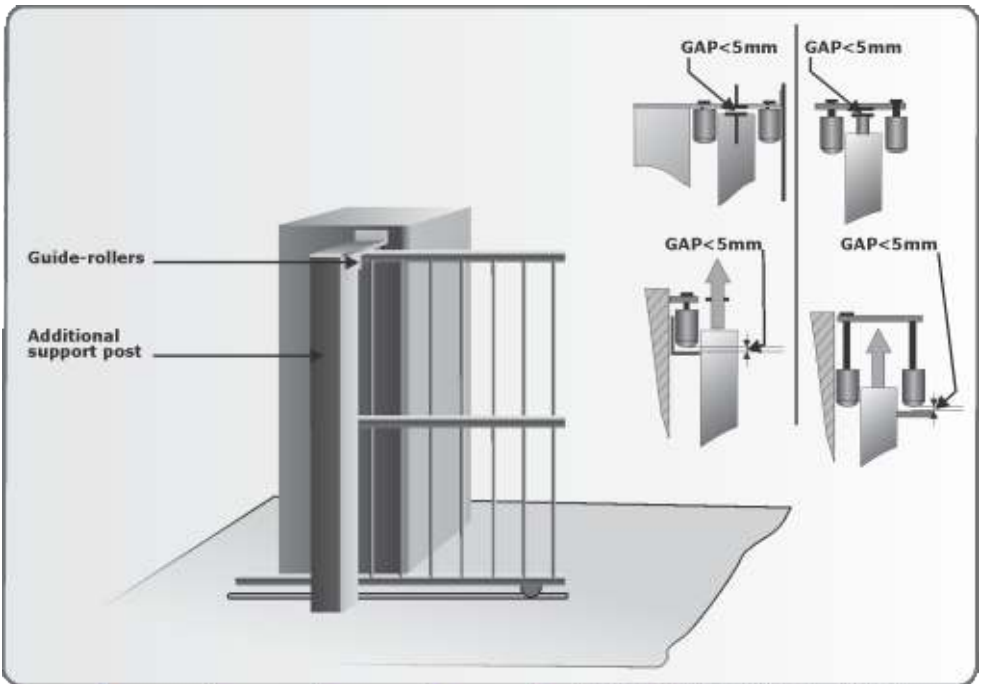


FIGURE 4. FITTING GUIDE-ROLLERS

Starting and running forces

- Test the starting force of the gate as per the diagram. Use a pull scale to determine the maximum amount of pull force required to get the gate moving
- Determine the running force of the gate by continuing to pull on the scale with just sufficient force to keep it running and read off the maximum value in kgf shown on the scale
- Where possible determine the gate mass
- The warranty will be void if the pull force and/or gate mass exceed the operator specification as below:
 - Starting force - 18kgf
 - Running (rated) force - 9kgf
 - Maximum gate mass - 250kgf

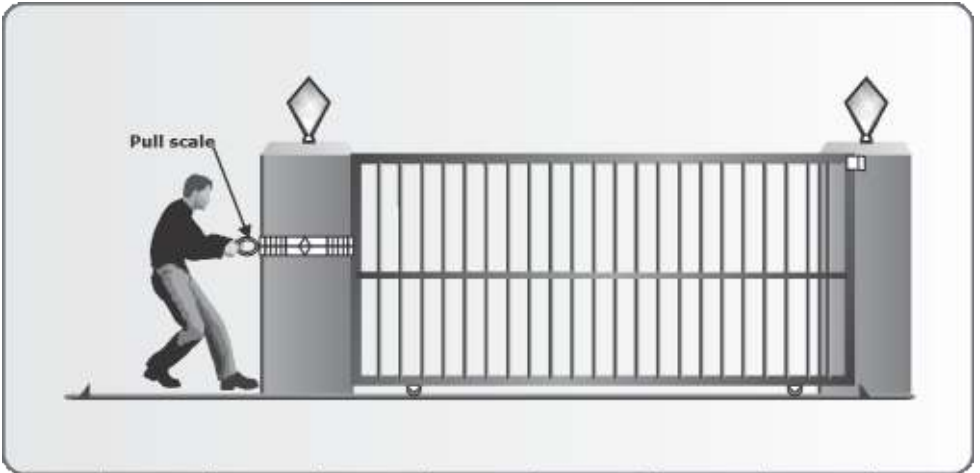


FIGURE 6. STARTING AND RUNNING FORCES

8. Cabling Requirements



FIGURE 6. CABLING REQUIREMENTS

Legend

1. **D2 Turbo:** 230V AC mains cable via double mains isolator switch (3 core LNE 1.5mm² SWA) OR **D2 Turbo Low-Voltage:** 10V-20V AC/10V-28V DC cable via transformer in dwelling*☆

Optional wiring (all cable is multi-stranded):

2. Intercom cable from motor to dwelling (n1 + 6 core 0.5mm²)❖
3. Intercom cable from motor to entry panel (n2 0.5mm² multi-stranded)
4. **Safe CLS:** Recommended infrared Safety Beams (3 core 0.5mm²)
5. **TRG:** Access control device (3 core 0.5mm²)
6. **PED:** Optional Pedestrian Keyswitch (a)
OR keypad (b) (3 core 0.5mm²)
7. **TRG:** Optional external radio receiver (3 core 0.5mm²) ❖
8. **LIGHT:** Optional Pillar Lights (3 core LNE SWA, size according to power requirements)

n1 = number of cores required by intercom

n2 = number of cores required by intercom

* Possibly increase cable thickness if Pillar Lights are installed

☆ Type of cable must adhere to municipal bylaws but typically SWA (steel wire armoured) cable is recommended. The armouring provides excellent screening, which gives better protection against lightning – earth one end of the screening)

❖ Allows for all features such as pedestrian opening, status LED, etc., to be operated from the intercom handset inside the dwelling. Number of cores and type of cable could vary depending on brand of access control system being used

❖ For optimum range, an external receiver can be mounted on the wall

9. Lubrication

The gearbox of the **D2 Turbo** is filled with grease during the assembly process, and the gearset does not have to be lubricated ex-factory.

10. Operator Installation

Locate operator position

- To ensure operator does not protrude into the driveway, install the foundation plate at least flush with the driveway entrance
- Determine a suitable position and vertical height for the operator by considering Figures 7, 8 and 9



With careful selection of the rack configuration, and operator vertical height, mounting of the rack could in some cases be greatly simplified.



If a theft-resistant cage is required, be sure to leave enough clearance from pillars, etc.

It is typical to mount the rack above the pinion as shown in figures 7A, 8A and 9A for each type of rack considered. However, figures 7B, 8B and 9B show in each case the rack mounted underneath.

Pros of mounting the rack below the pinion

- The rack is more hidden from view
- It provides a very effective anti-lift bracket
- It ensures that as the gate beds in, the rack does not drop onto the pinion, loading the operator unnecessarily

Cons of mounting the rack below the pinion

- Rack teeth face up vertically, potentially collecting dirt
- Custom bracket required to mount origin magnet



FIGURE 7A. Above pinion - RAZ rack

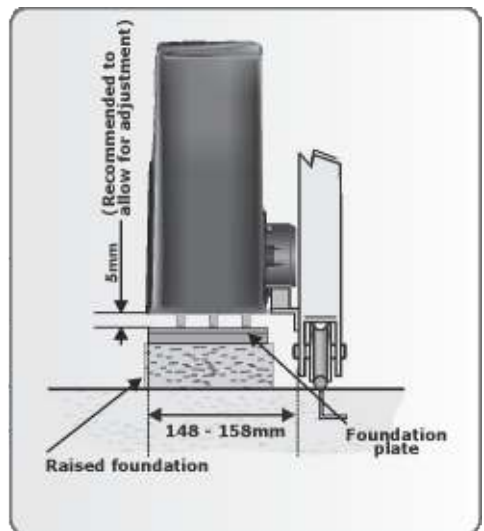


FIGURE 7B. Below pinion - RAZ rack

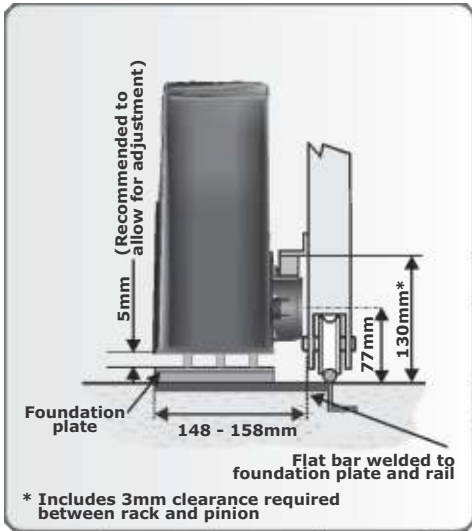


FIGURE 8A. Above pinion - Nylon Angle rack

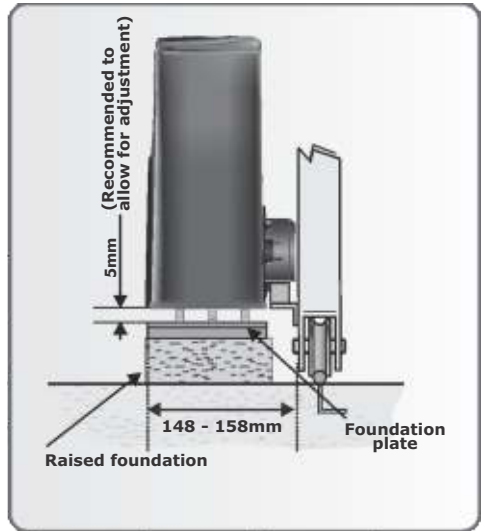


FIGURE 8B. Below pinion - Nylon Angle rack

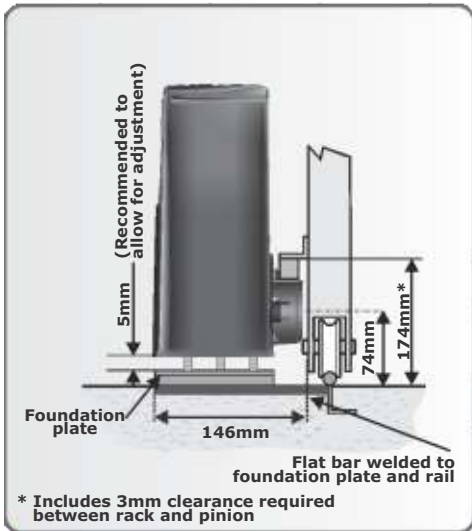


FIGURE 9A. Above pinion - Steel rack

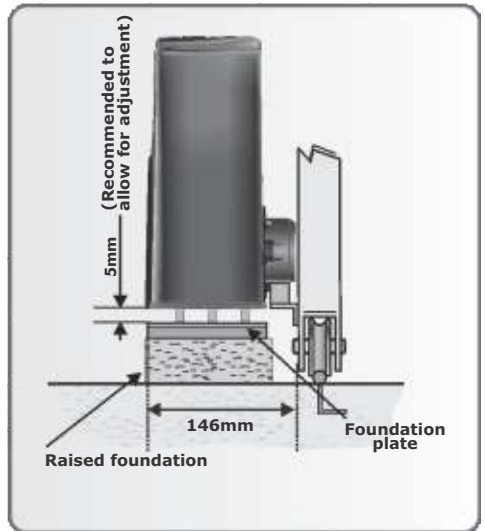


FIGURE 9B. Below pinion - Steel rack

Foundation plate installation



When using a concrete foundation it is recommended that the foundation plate is welded to the rail/track of the gate using short length of flat bar, as in Figure 16. This makes it possible to complete the whole mechanical and electrical installation, without having to wait for the concrete to set. After completing the installation the concrete can be poured and the operator left in the Manual Mode until the concrete has set.

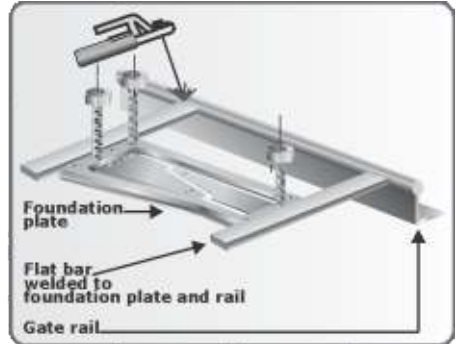


FIGURE 10.

1. The foundation plate can either be set into a concrete foundation, as in Figures 11 to 17, or bolted down onto an existing concrete plinth as shown in Figure 18 and 19.

If the **D2 Turbo** is being used to replace a D3 gate operator, refer to Figures 21 to 27.



FIGURE 11.

Option 1: Cast foundation plate into concrete

- 2A. Bend the anchor brackets outwards as shown in Figure 11.



FIGURE 12.

2B. Using a pair of long-nosed pliers, bend the ends of the anchor brackets at a 90° angle.

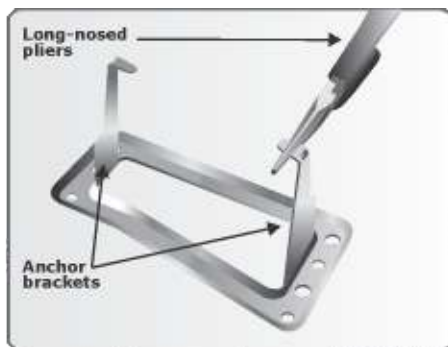


FIGURE 19.



FIGURE 14.

3. Fit the mounting bolts to the foundation plate and secure in place with nuts and washer.

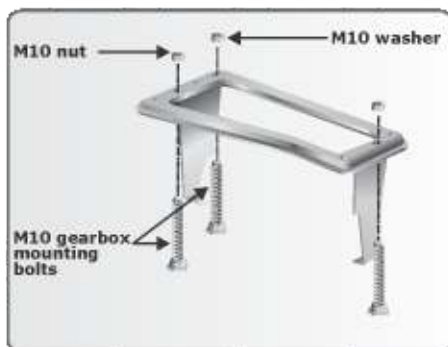


FIGURE 15.



ENSURE THAT MOUNTING STUDS AND LOCKNUTS ARE FITTED BEFORE setting the foundation plate in concrete or bolting to an existing plate.

4. Do not finish pouring concrete before the cables have been

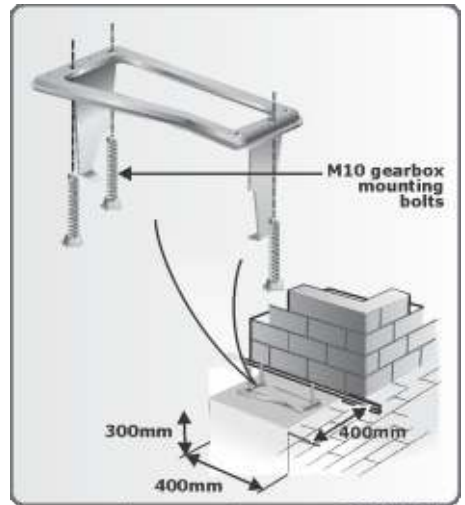


FIGURE 16.

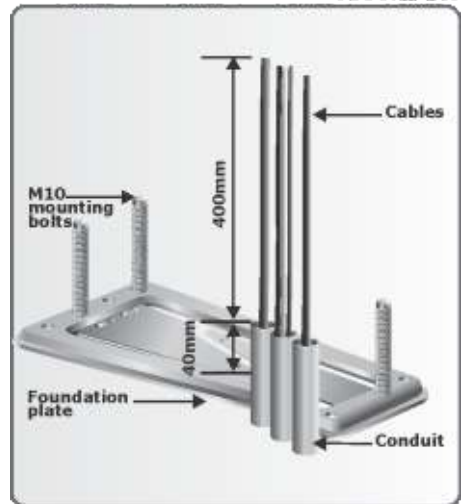


FIGURE 17.

Option 2: Bolt foundation plate onto an existing concrete plinth

5. If bolting onto an existing concrete plinth, place the foundation plate down in the correct position and use the plate as a template for marking the rawlbolt holes.

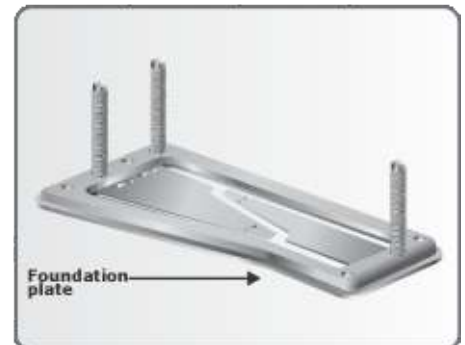


FIGURE 18.

6. Fit the mounting studs to the foundation plate and secure in place with the stud locknuts.



Do not bend out the anchor brackets.

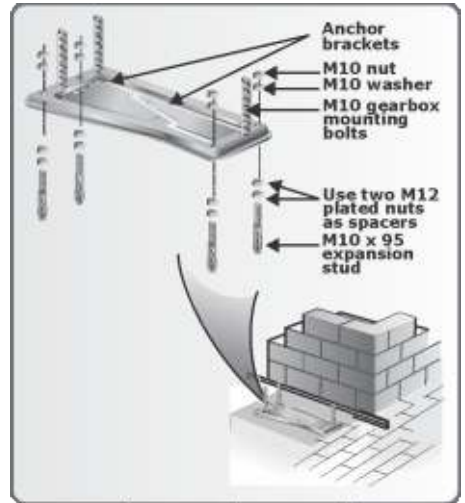


FIGURE 19.

Route Cables and Secure Foundation Plate

1. Route cables as determined in Section 7, Cabling Requirements.

2. Make sure that all cables and conduits protrude at least 400mm above the foundation plate once installed.
3. Securely concrete or bolt the foundation plate in position.

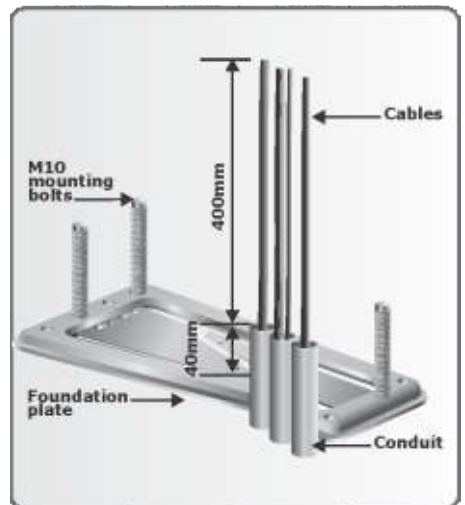


FIGURE 20.

Option 3: Retrofitting D2 Turbo to an existing D3 foundation plate.

1. Grind off the existing mounting studs from the D3 foundation plate as shown in Figure 21.

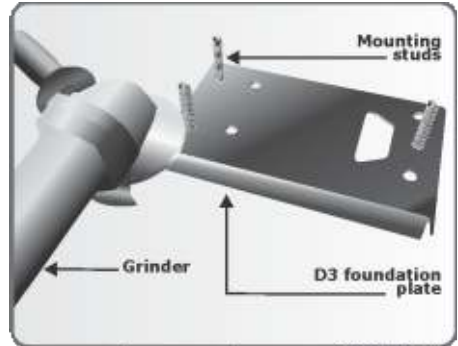


FIGURE 21.

2. Fit the three mounting studs to the **D2 Turbo** foundation plate and secure in place using the stud locknuts supplied with this kit. The half-height nuts should be used on the underside of the plate as shown in Figure 22, as these will later be used for height adjustment. However, if space allows – i.e. there will be sufficient clearance between the rack and the pinion once the operator has been mounted – the orange height-adjustment nuts may be used.

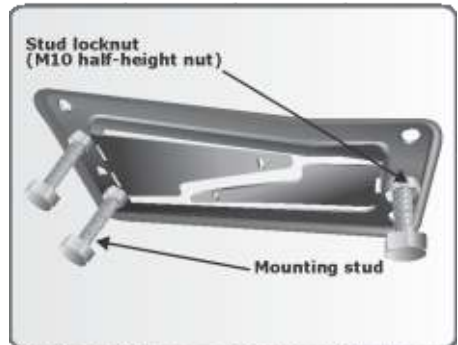


FIGURE 22.

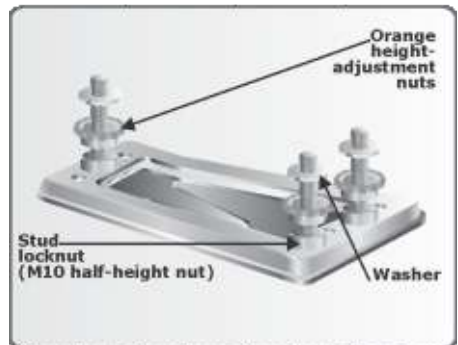


FIGURE 23.



Do not attempt to mount the gearbox without using either the half-height nuts or the orange jacking nuts as doing so will result in the gearbox being damaged when the hold-down nuts are tightened.

4. Use the supplied full-height hold-down nuts to temporarily secure the plate in place from above as shown in Figure 23.
5. Place the **D2 Turbo** foundation plate onto the existing D3 plate in the optimum position.

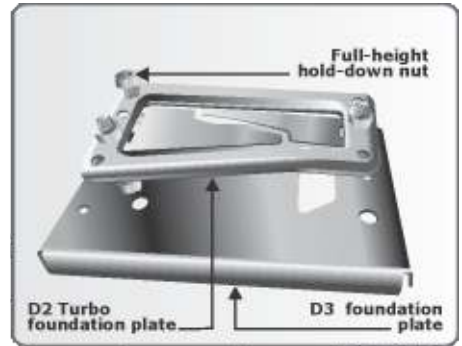


FIGURE 24.

4. Carefully tack-weld the head of each individual mounting stud onto the D3 foundation plate.

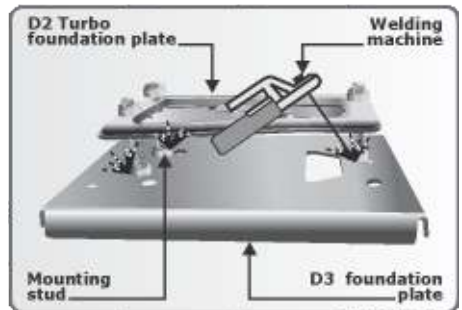


FIGURE 25.

5. Remove the hold-down nuts and lift the **D2 Turbo** foundation plate off of the mounting studs.

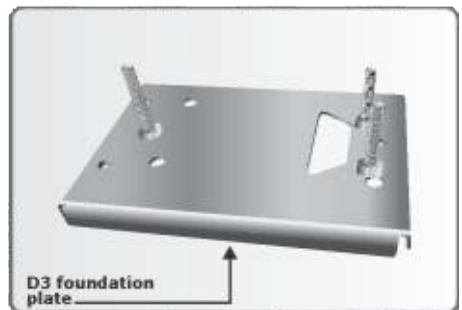


FIGURE 26.

Route Cables and Secure Foundation Plate

1. Route cables as determined in Section 7, Cabling requirements.

2. Make sure that all cables and conduits protrude at least 400mm above the foundation plate once installed. Cable entry is allowed for in the far left-hand side corner of the gearbox.
3. Securely anchor the foundation plate in concrete or bolt it in position.

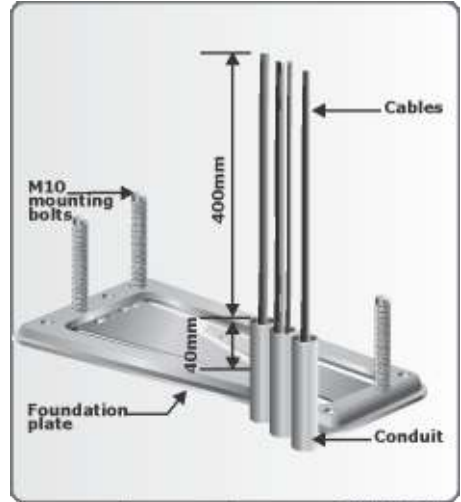


FIGURE 27.

Mount the gearbox

1. Fit the orange height-adjustment nuts to the base as shown in Figure 28 to level the gearbox

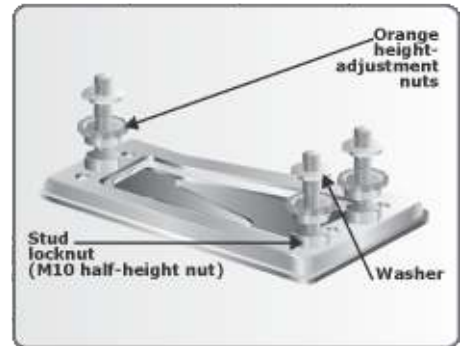


FIGURE 28.

2. Adjust the nuts to be 7mm clear from the base to allow for later adjustment.

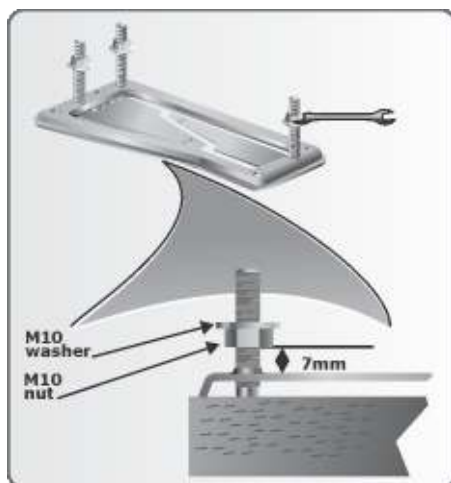


FIGURE 29.

3. Secure the gearbox in place, fitting a washer, spring washer and M10 hold-down nut onto each gearbox mounting.



FIGURE 30.

4. Feed the cables through the dedicated cable entry indent while fitting the gearbox to the foundation plate.

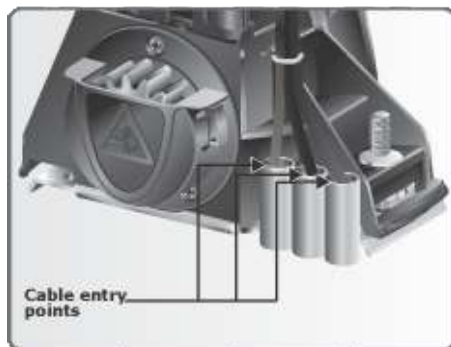


FIGURE 31.

5. Note how the cables route up onto the control card.



FIGURE 32.

6. Tighten the hold-down nuts when the gearbox is in the correct position.



FIGURE 33.



Theft-resistant Nut and Discus padlock are available from Centurion Systems for sites requiring additional security.

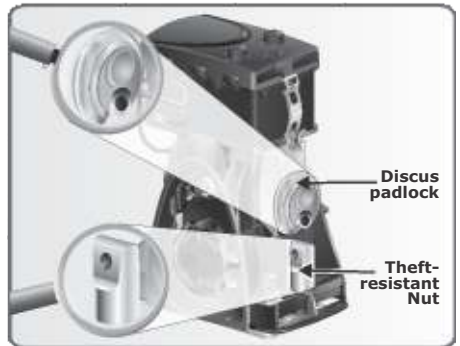


FIGURE 34.

7. Seal the conduit with silicone to prevent ants from entering the operator.

Mount the rack



The rack must be securely mounted to the side of the gate, it must be parallel with the gate rail and there must be a 2mm - 3mm gap between the teeth of the pinion and the rack along the entire travel of the gate.

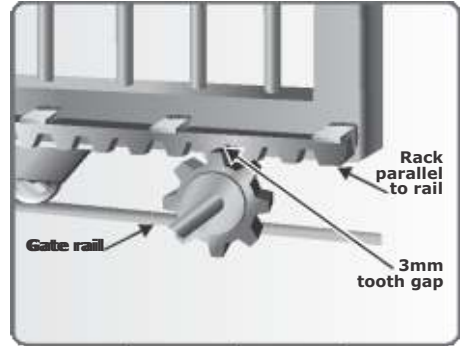


FIGURE 35.



- Follow this procedure whether mounting steel, RAZ or nylon angle rack
- Refer to the sections that follow for specifics about the mounting of each type of rack

1. Before mounting the rack, raise the operator an additional 3mm.

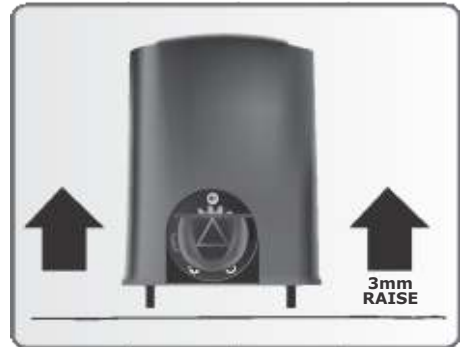


FIGURE 36.

2. Put the gearbox into Manual Mode. Refer to Section 26 for complete instructions.



FIGURE 37.

3. Start with the gate either fully open or fully closed.
4. Place the one end of the first section of rack on the pinion. Let it mesh fully.
5. Level the other end and fix that end to the side of the gate.



FIGURE 38.



Refer to sections that follow for instructions on how to fix the different types of rack.

6. Slide the gate halfway along the first section.
7. Level the unsecured end, ensuring that the rack is resting on the pinion, not pressing down on it.
8. Before fully fixing each section of rack, slide the gate backwards and forwards along the section, checking that the rack is only resting on the pinion, not pressing down on it.

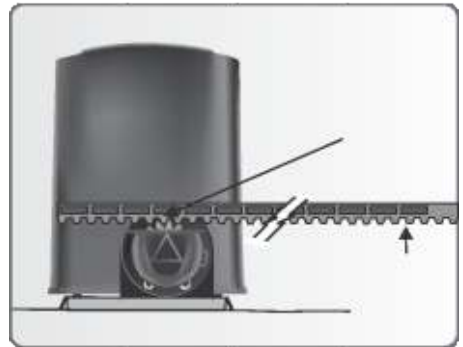


FIGURE 39.

9. Continue this way to fix all sections.
10. Finally lower the operator 3mm to achieve the required 3mm tooth clearance.
11. Ensure that operator mounting bolts are securely tightened

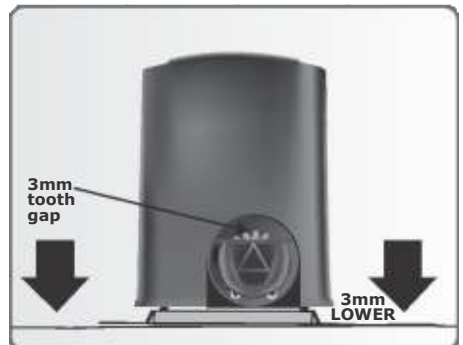


FIGURE 40.

Steel rack

1. Fit the rack using the steel angle brackets provided.
2. Brackets must be spaced no more than 300mm apart.

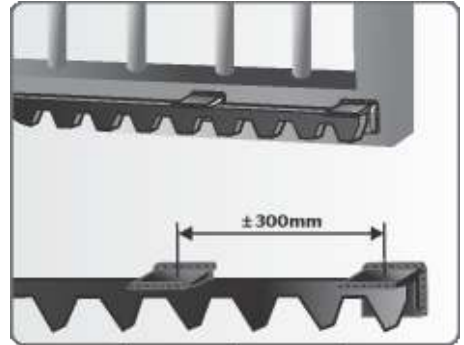


FIGURE 41.

3. When joining the different lengths of steel rack, a simple way of ensuring correct pitch spacing, is to clamp a small off-cut between the two pieces.

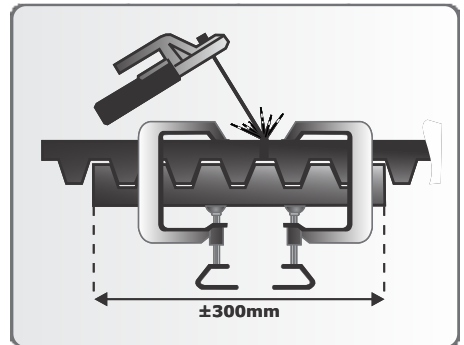


FIGURE 42.

RAZ rack

1. Fix the RAZ rack to the side of the gate using the TEK Screws provided. Use the vertical slots in order to allow for adjustment.
2. Use at least three TEK screws per half metre section of rack.

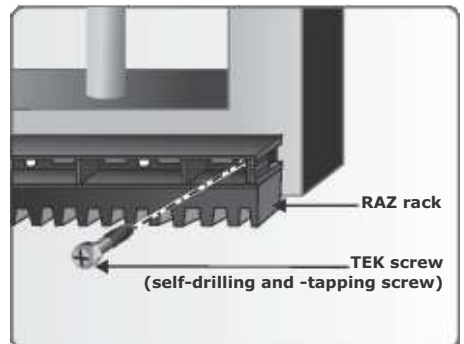


FIGURE 43.

3. When fitting RAZ rack it is easier to start on the right and work towards the left.
4. RAZ rack simply clips together.

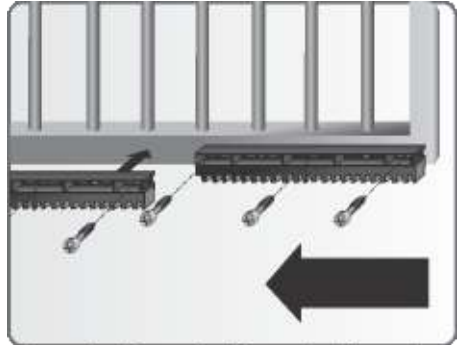


FIGURE 44.



Fit additional fixing screws through the horizontal slots to secure the rack to the gate directly above the pinion when the gate is in the closed, pedestrian and open positions.

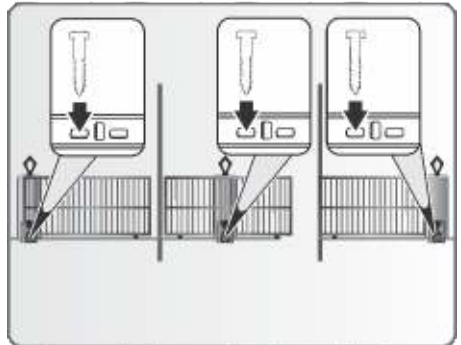


FIGURE 45.

Nylon Angle rack

1. Fix the rack to the side of the gate using the TEK screws provided.
2. Ensure that all the mounting holes provided in the angle section are used.

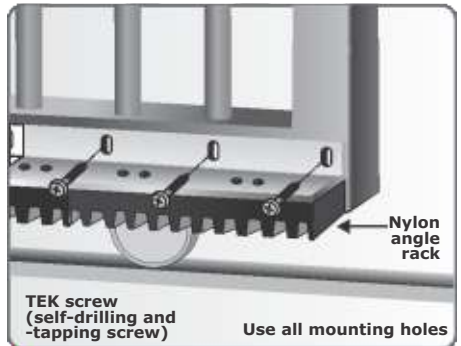


FIGURE 46.

3. When joining two lengths together, simply butt each section firmly together to ensure the correct pitch.

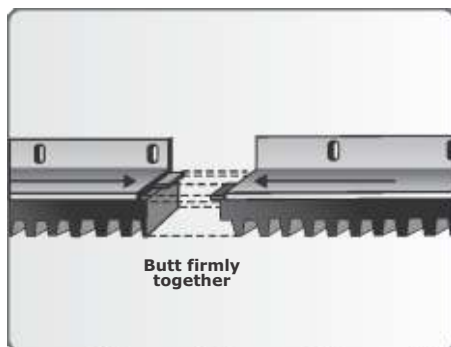


FIGURE 47.

Mount the origin marker

1. Close the gate completely.

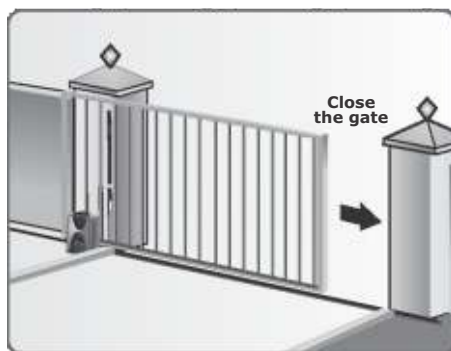


FIGURE 48.

2. Mount the origin marker to the rack, making sure that there is a minimum of 500mm from the origin sensor. Refer to Figure 49, isometric view A or plan view B.

It is possible to make the distance between the origin marker and the origin sensor much greater than 500mm. However, if using the Pedestrian Opening facility, it is preferable to mount the origin marker inside of the Pedestrian Opening point (even though the position of the marker will not affect the width of the Pedestrian Opening).

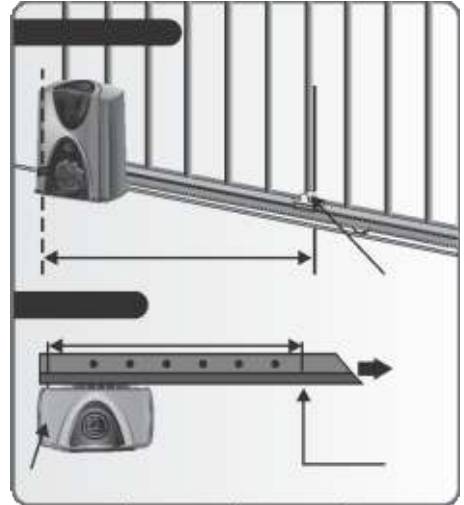


FIGURE 49.

3. For the steel rack, mount the origin marker onto the rack using the bracket provided.
4. Weld the bracket to the rack.
5. Bolt the origin marker onto the bracket using the fasteners provided.

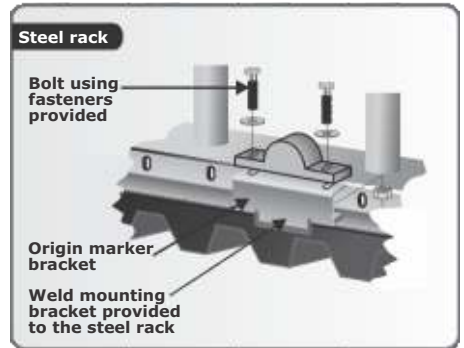


FIGURE 50.

6. With RAZ rack the origin marker mounts directly on top of the rack without a bracket.
7. Drill mounting holes directly into the rack and bolt into position.
8. File away the front lip of the rack if you need to move the origin marker closer to the operator as the gate slides past.

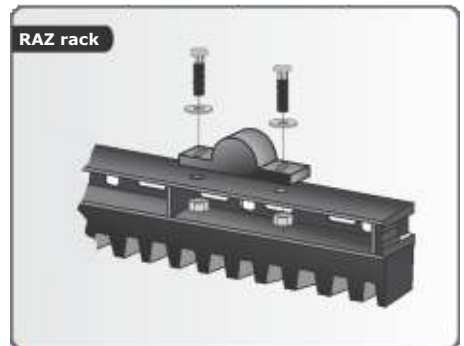


FIGURE 51.

9. With Nylon Angle rack it is necessary to use the bracket provided.
10. It is preferable to use self-tapping fasteners to secure the bracket into the side of the nylon rack as shown.
11. Make a small tack weld to secure the back of the bracket onto the angle iron section of the rack.
12. Bolt the origin marker onto the bracket using the fasteners provided.

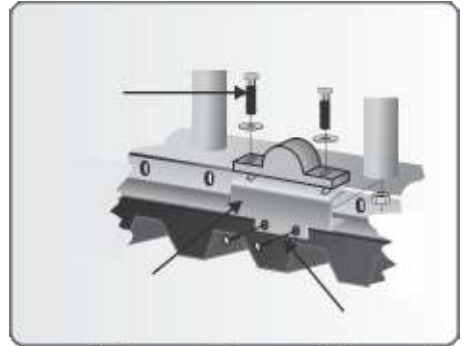


FIGURE 52.

13. Note the orientation of the origin marker.

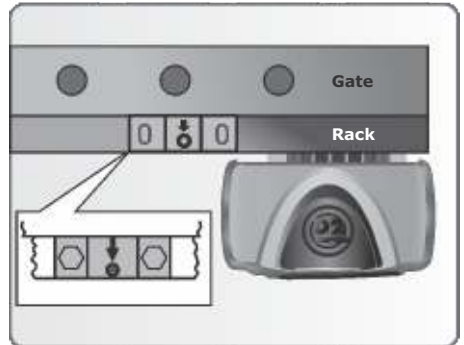


FIGURE 53.

14. Manually slide the gate **open** until the origin marker is in line with the origin sensor.
15. Ensure distance between the face of marker and front face of the sensor is between 13mm and 20mm.
16. Adjust distance by sliding the origin marker along the slotted mounting holes until the specified distance is achieved.

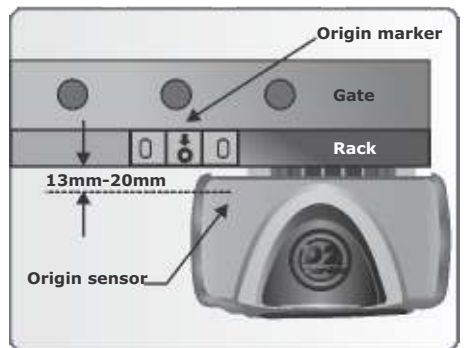


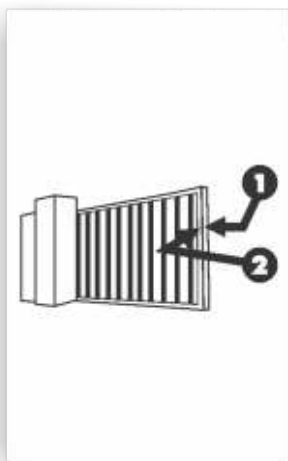
FIGURE 54.



For best results keep gap between marker and sensor as small as possible.

Apply warning decal

Apply the supplied warning decals to both sides of the gate as indicated in the second drawing on the reverse side of the decal.



11. Electrical Setup

1. Always check that the circuit breaker in the electrical panel is in the OFF position, and that all high-voltage circuits (more than 42.4V) are completely isolated from the mains supply before doing any work.
2. Ensure that all low-voltage systems (less than 42.4V) are suitably protected from damage, by disconnecting all sources of power such as chargers and batteries before doing any work.
3. All electrical work must be carried out according to the requirements of all applicable local electrical codes. (It is recommended that a licensed electrical contractor perform such work)



Connect all Wiring

1. Connect all cables as required to the control card, according to the wiring diagrams on page 45.



FIGURE 55.

2. Check that the battery is connected to the controller. Refer to page 45.



Ensure the battery polarity is correct.

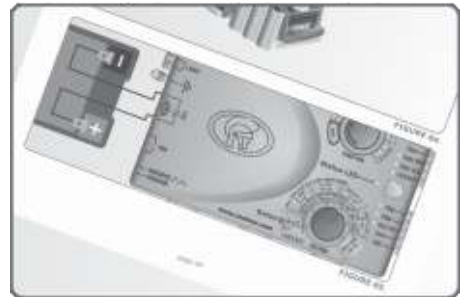


FIGURE 56.

3. Ensure that the controller is effectively earthed for improved lightning protection as shown on page 46.



FIGURE 57.

12. Wiring Diagram for Closing Safety Beams

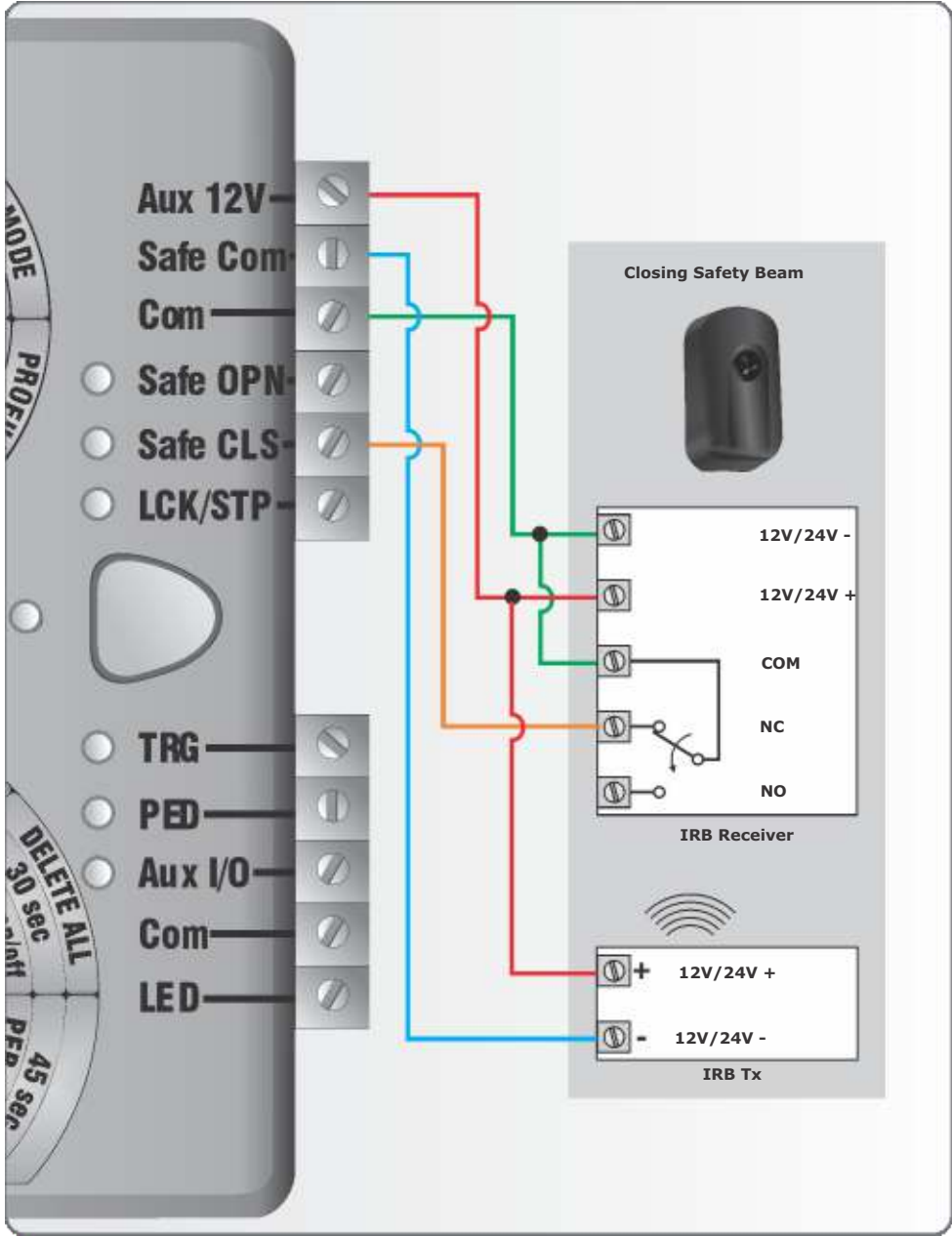


FIGURE 58.

13. Wiring Diagram for Opening Safety Beams

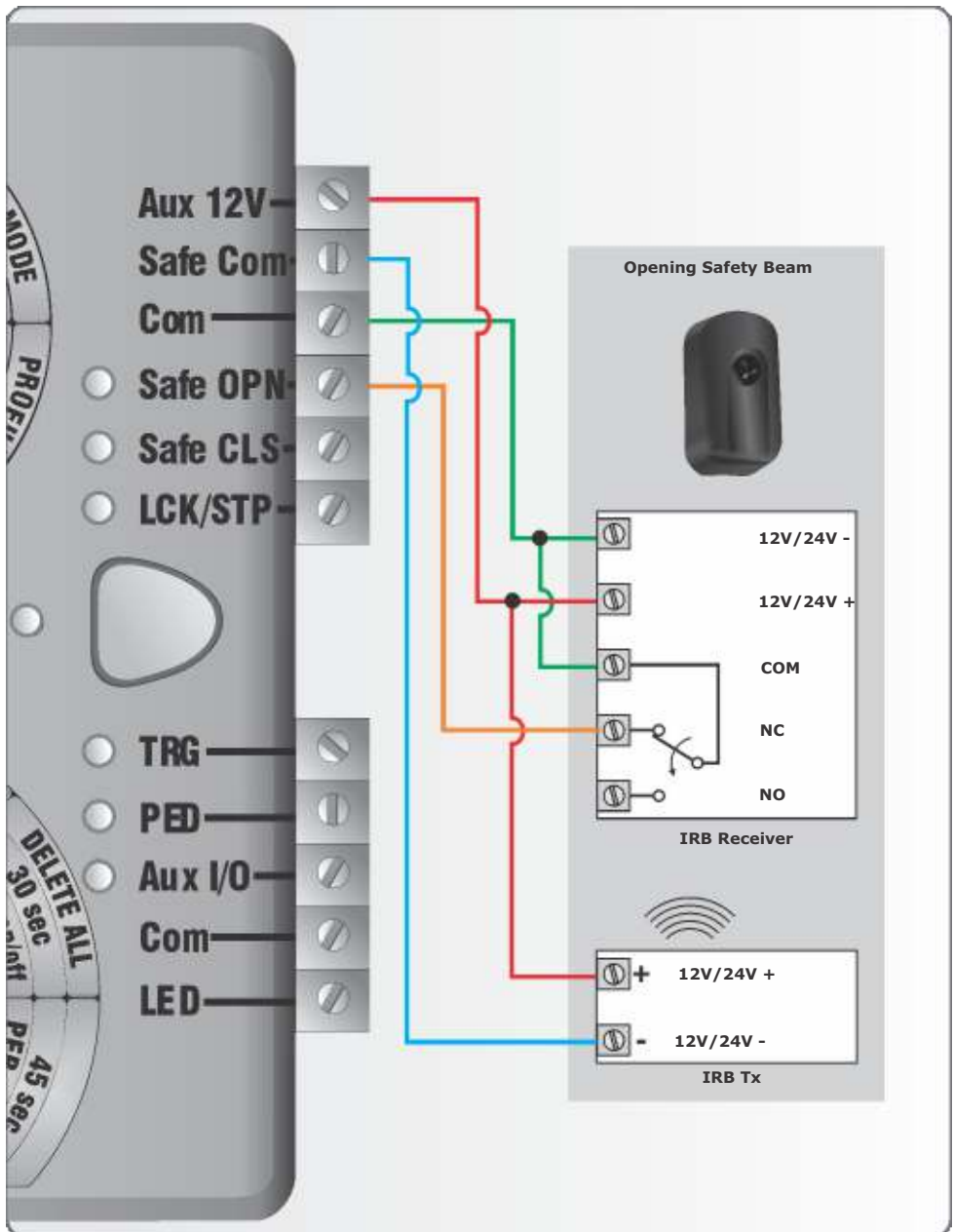


FIGURE 59.

14. Wiring Diagram for External Radio Receiver

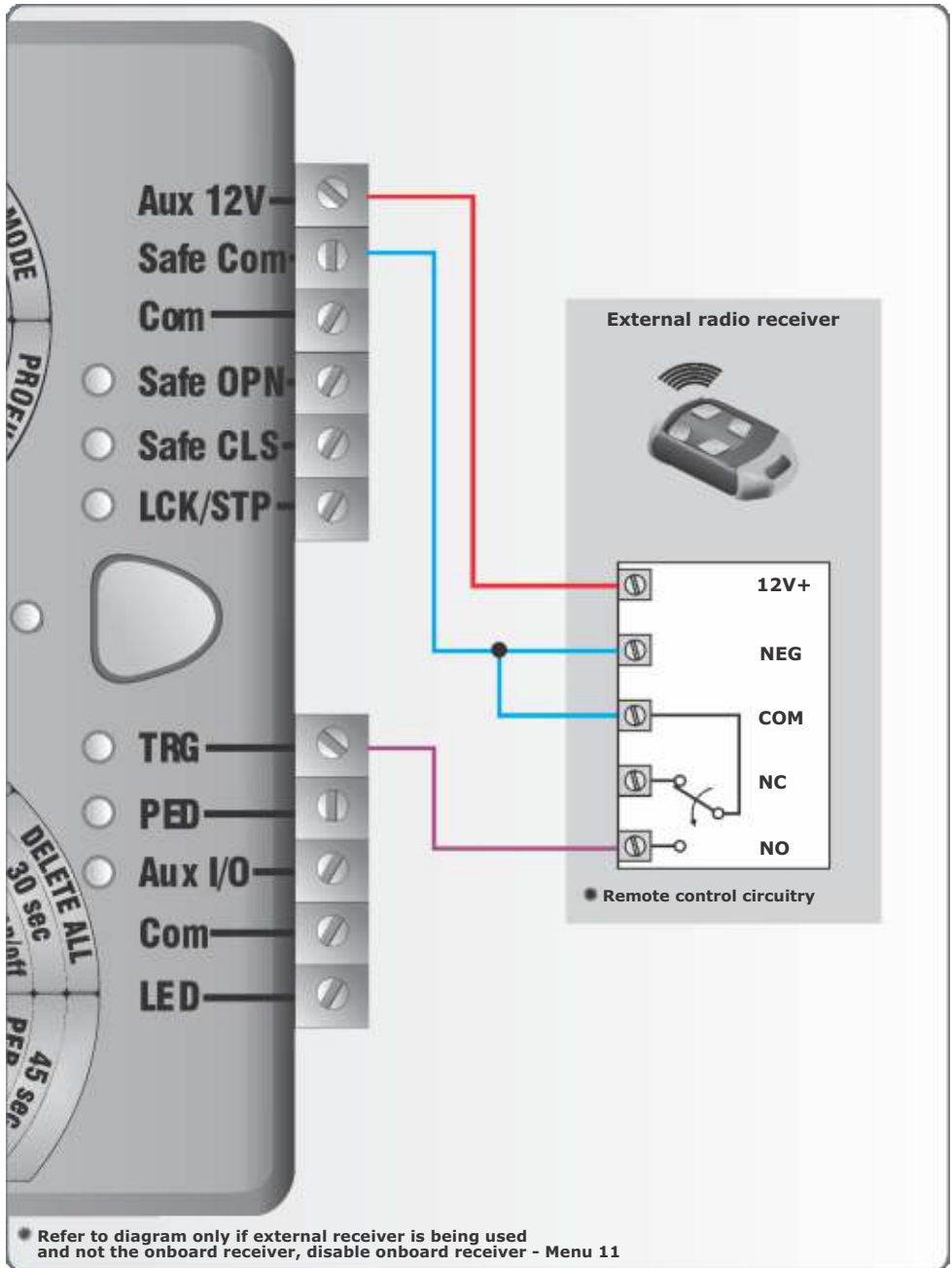


FIGURE 60.

15. Wiring Diagram for Other Inputs

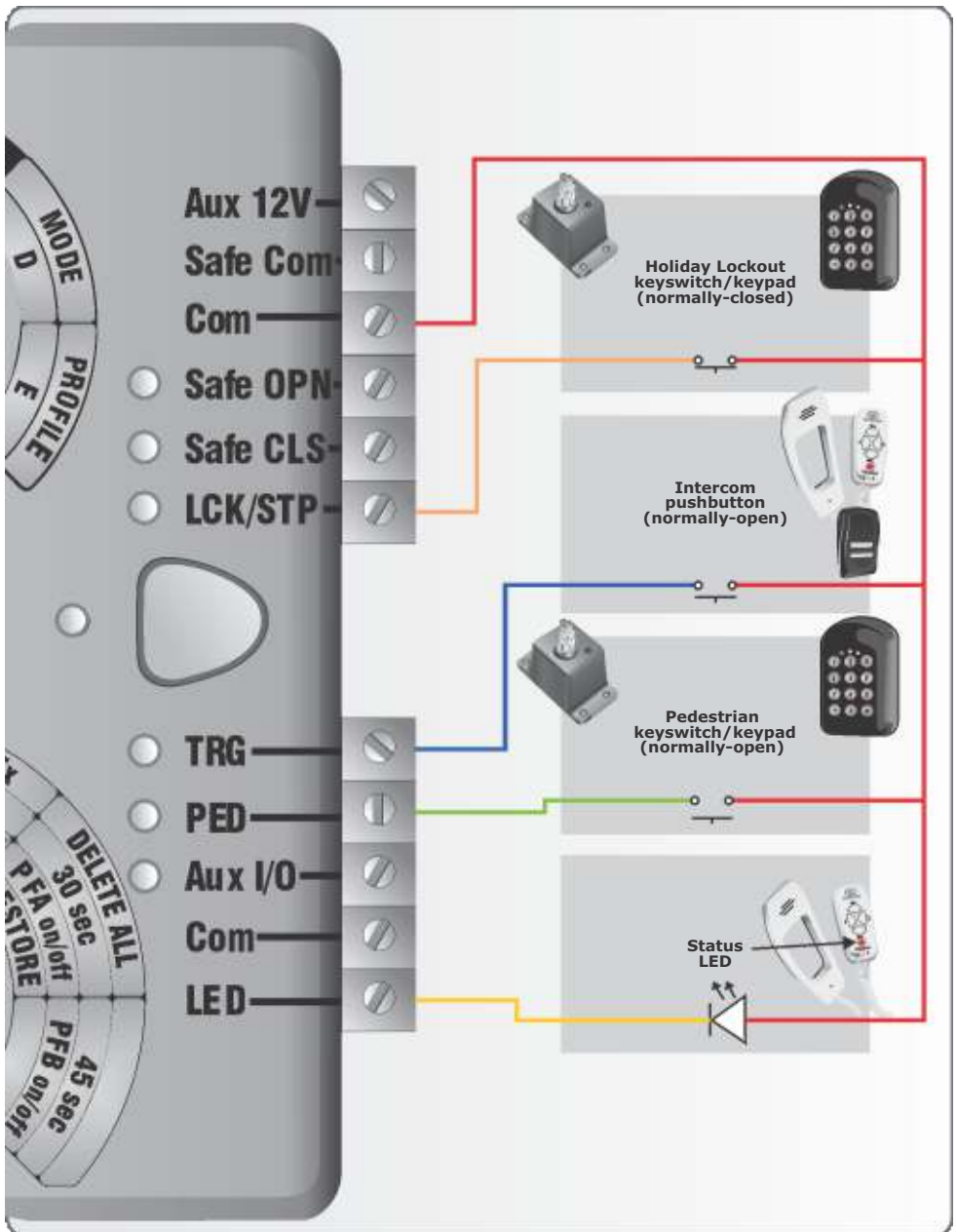


FIGURE 61.

16. Wiring Diagram for Pillar Light to the D2 Turbo Controller

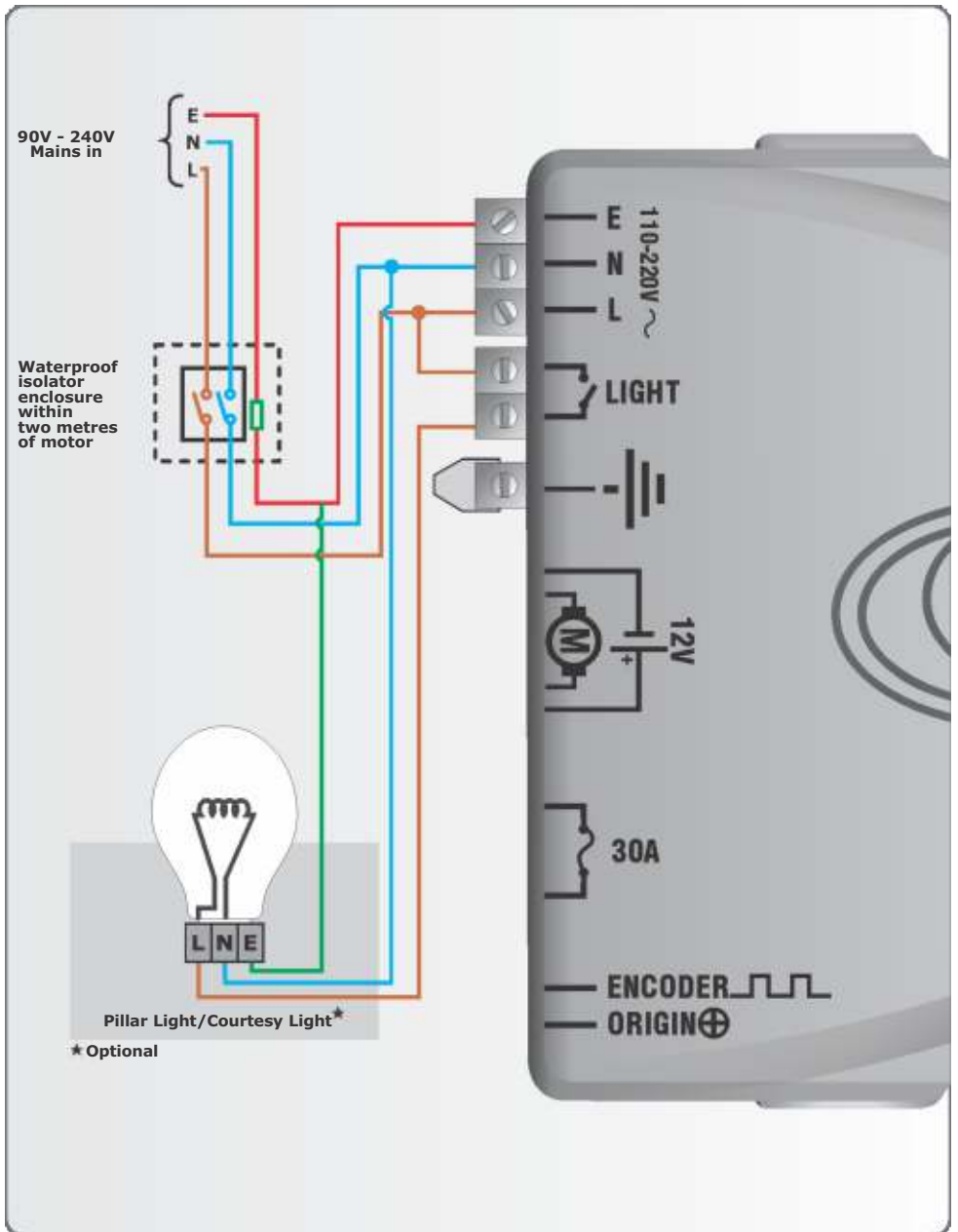


FIGURE 82.

17. Wiring Diagram for Pillar Light to the D2 Turbo Low-Voltage Controller

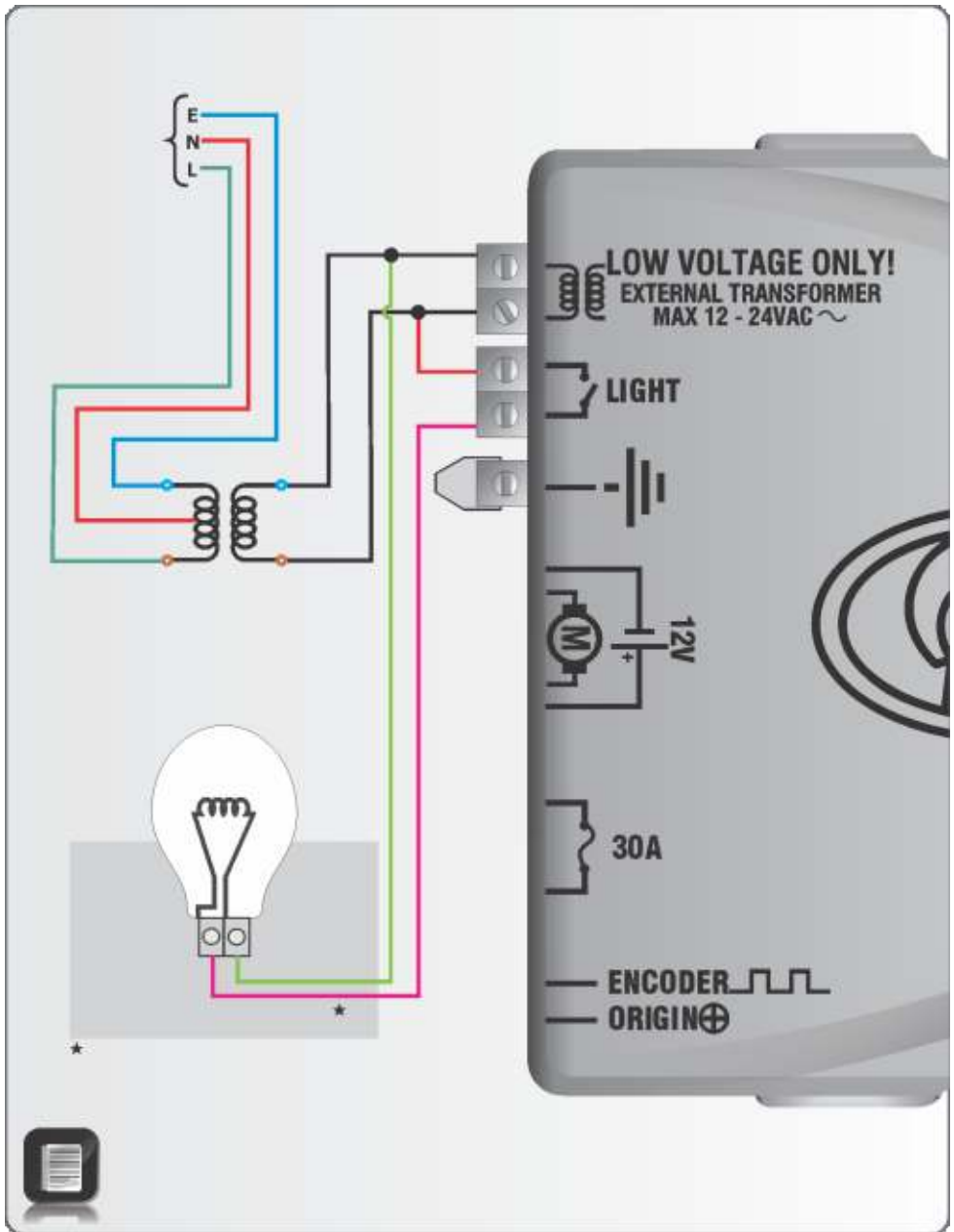


FIGURE 63.

18. Mains Supply and Battery Connections

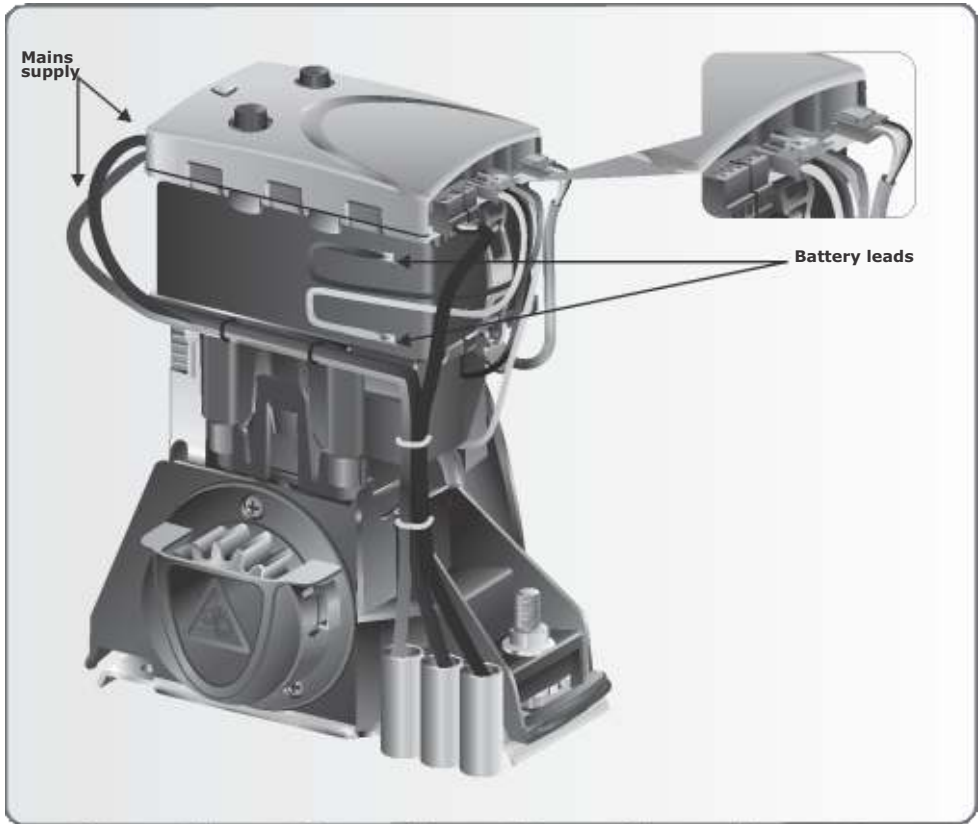


FIGURE 64.

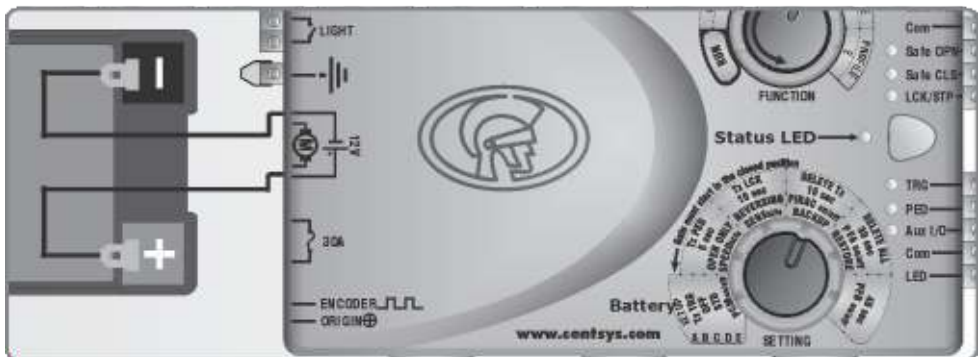


FIGURE 65.

19. Earthing for Effective Lightning Protection

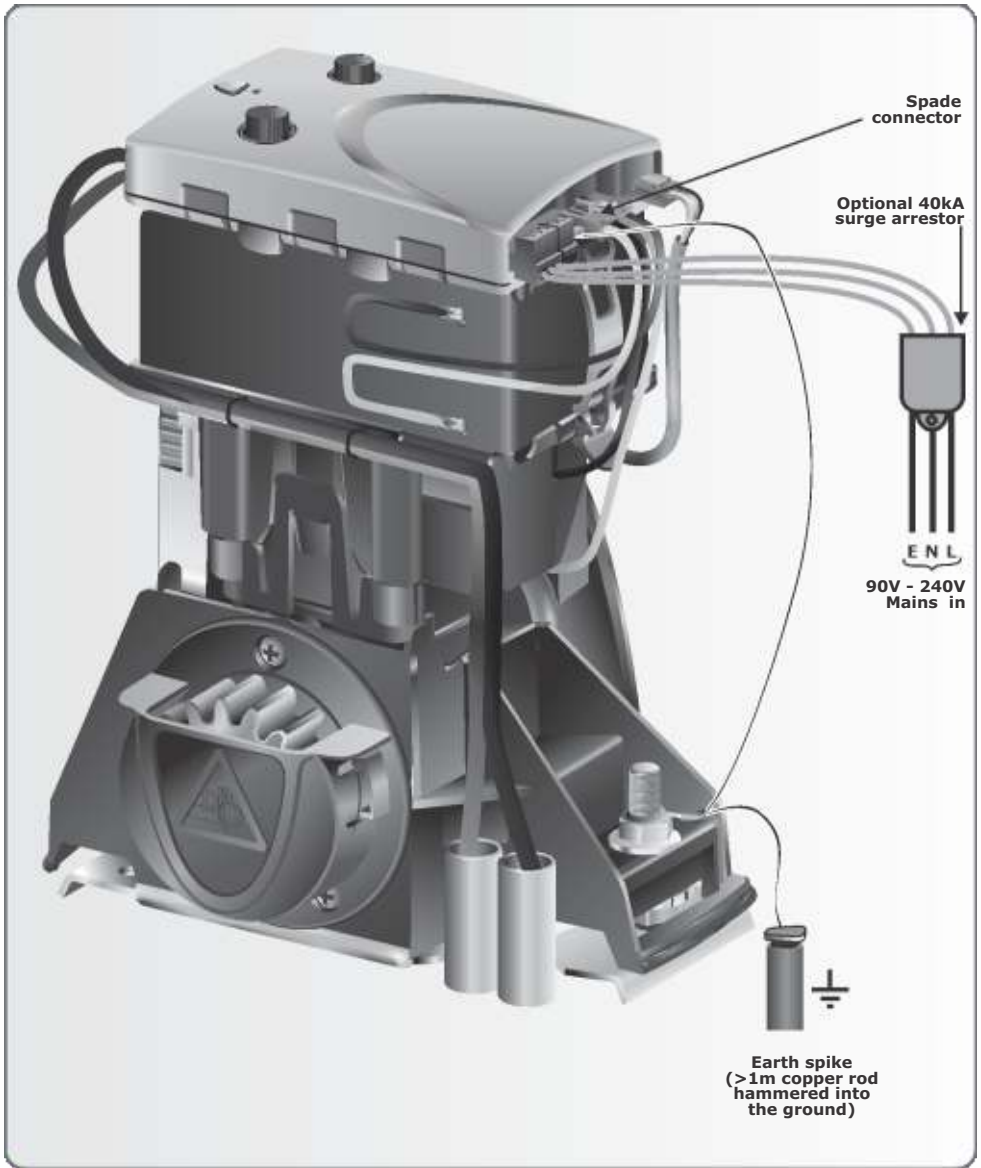


FIGURE 66.

20. Commissioning the System

Introduction

The **D2 Turbo** and **D2 Turbo Low-Voltage** sliding gate operators' advanced functions are controlled by intelligent microcontroller-based electronic controllers. These systems' features and functions are enabled and disabled using the two user-friendly setting dials, with the top dial used for selecting the desired function, and the bottom dial used for selecting the specific setting to be enabled or disabled.

Setting up the gate Limits

1. Ensure that the gate is in the fully closed position and the motor drive is engaged.

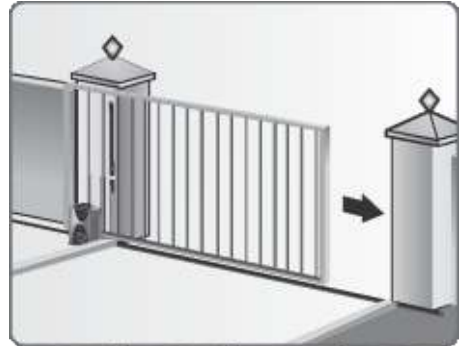


FIGURE 67.

2. Rotate the Function Dial to the LIMITS position along the 'A' row of options.
3. Rotate the Setting Dial to the SETUP position along the 'A' row of options.

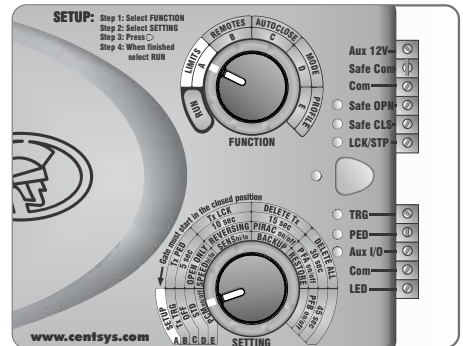


FIGURE 68.

- 4A. Press the pushbutton to select this feature.



FIGURE 69.

4B. The gate will then run through its automated procedure to determine the gate's open and closed positions. If Setup is successful, that status LED will be green, which indicates that Setup has finished.



FIGURE 70.

5. Return the Function Dial to the RUN position.



FIGURE 71.

21. Features and Functions

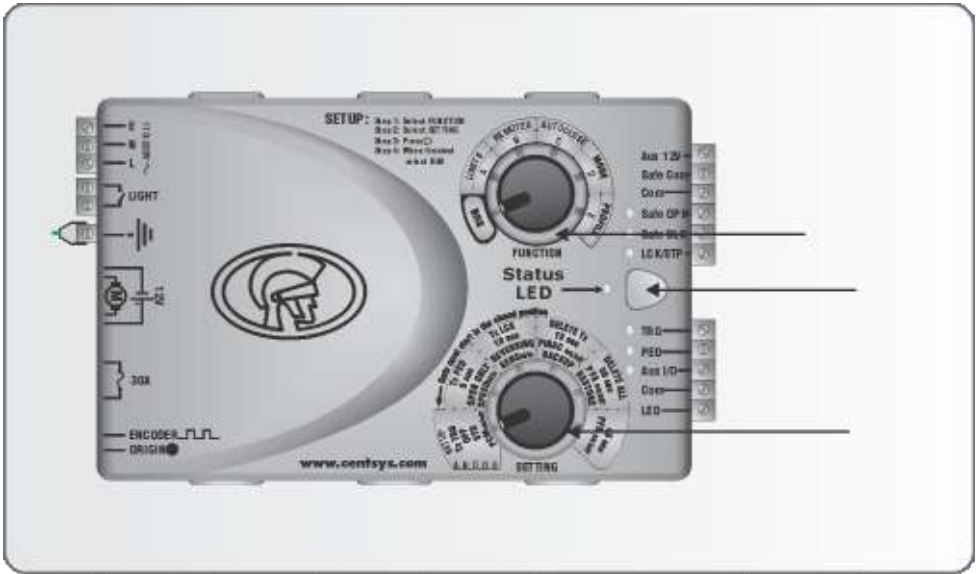


FIGURE 72. D2 TURBO CONTROLLER (ORANGE)

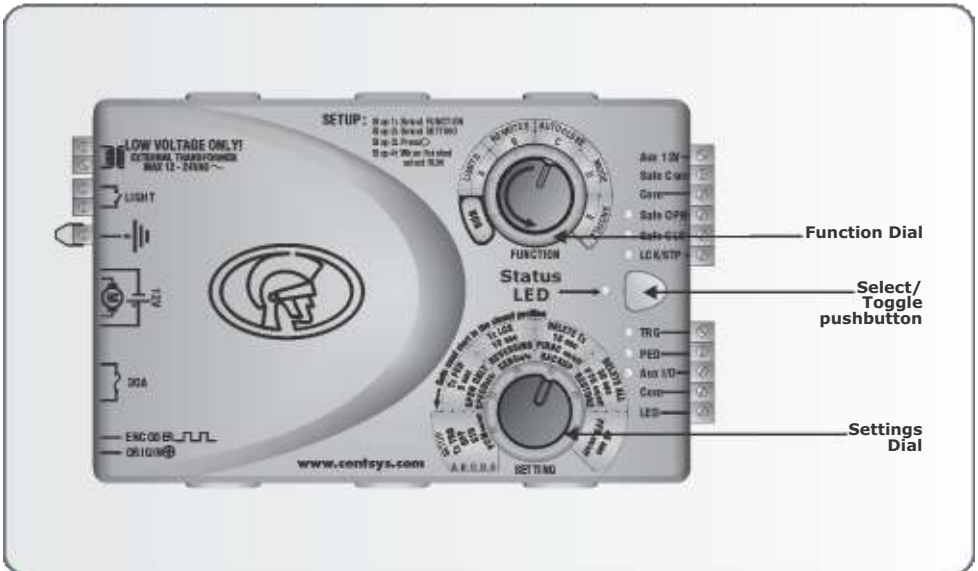


FIGURE 73. D2 TURBO LOW-VOLTAGE CONTROLLER (DARK GREEN)

21.1. Gate operation

21.1.1. Full Gate Opening

The CENTURION remote controls supplied with the **D2 Turbo** are used to operate the gate.

However, most automatic gate installations are also fitted with an intercom, which, provides for communication between the house or building and the gate. The handset is usually fitted with a gate pushbutton, which when pressed, sends a signal to the **D2 Turbo** controller to operate the gate.



FIGURE 74.

21.1.2. Modes of Operation

To operate the gate to open fully, the **D2 Turbo** has three modes to choose from depending on the application. Only one mode can be selected at any given time.

21.1.2.1. Standard Mode

Standard Mode is the most commonly used mode for domestic applications as it allows full control of the gate. Press the remote control button for approximately one second to set the gate in motion. If the remote control button is pressed while the gate is moving, the gate will stop. Press the remote control button again and the gate will go into reverse.

Autoclose, explained on page 51 and PIRAC (Beam Autoclose) on page 56, can be used with Standard Mode.

21.1.2.2. Open Only Mode

This mode is ideal for increased safety in multi-user, single dwelling applications.

If you select Open Only Mode, your gate will open when you press the button of the remote control or the gate pushbutton on the intercom – but pressing the button again while the gate is opening will be ignored. It will not cause the gate to stop or to reverse. Only the internal Autoclose feature described on page 51 of this installation manual, which is automatically enabled, will close the gate if you have selected Open Only Mode.

If the button of the remote control or intercom gate release is pressed while the gate is closing, the gate will immediately reopen. The gate cannot be stopped in a midway position and will therefore always close. If the button is pressed while the gate is in the open position, the Autoclose timer (page 52) will be reset.



We highly recommend that a pair of Safety Beams are installed across the gate entrance and connected to the Closing Safety Beam input on the **D2 Turbo** if you select Open Only Mode. This will prevent the gate from closing on people, pets or vehicles (page 50).



PIRAC (Beam Autoclose) (page 56) can be used with Open Only Mode.

20.1.2.3. Reversing Mode

Reversing Mode offers slightly more security than Standard Mode as it allows you to close your gate quickly by pressing, for instance, your remote control just as you drive through the gate to prevent children or pets running out - or anybody getting in behind you.

When pressing the button of the remote control or the gate pushbutton on the intercom, your gate will be set in motion. If you press the button again, the gate will move in the opposite direction. So, if the gate is opening and you press the button, the gate will stop and immediately start to close (and vice versa).



Autoclose (page 51) and PIRAC (Beam Autoclose) (page 56) can be used with Reversing Mode.

To configure any of the operating modes please refer to the section, 'Customising the Features and Functions' on page 60.

21.1.3. Automatic closing (Autoclose Mode)

The **D2 Turbo/D2 Turbo Low-Voltage** has the facility to automatically close the gate after it has opened (Autoclose Mode). The time that the gate stays open is by default fifteen seconds, but this time period can be set to be five, ten, fifteen, thirty, or forty-five seconds.

As described in the previous section, Autoclose Mode is selectable with Standard Mode (page 50) and Reversing Mode (page 51) - by default the function is Off. However, Autoclose is automatically enabled in Open Only Mode.



We highly recommended that a Safety Beam is installed across the gate entrance and connected to the Closing Safety Beam input on the **D2 Turbo**, if you select Autoclose in order to prevent the gate from closing on people, pets or vehicles.

21.1.3.1. Autoclose Override

Automatic closing can be overridden in Standard and Reversing Modes by pressing and holding the button of the remote control or intercom gate release for no less than three seconds.

The gate response will be to start opening and then to stop as soon as the Autoclose Override feature is activated. On releasing the button, the gate will continue opening until fully open.

Your gate will stay open until you use the remote control or intercom gate release to close the gate.

The **D2 Turbo** will then revert to normal Autoclose operation.



The Autoclose function cannot be overridden in Only Open Mode.

To enable/disable the Autoclose function and/or change the Autoclose time, please refer to the section, 'Customising the Features and Functions' on page 60.

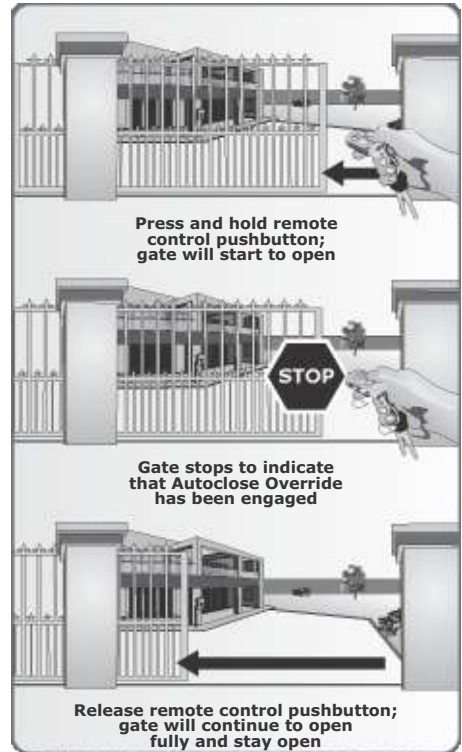


FIGURE 75.

21.1.4. Pedestrian Opening

The Pedestrian Opening input opens the gate just wide enough for a pedestrian to pass through the opening. A second button on your remote control can be used to operate the Pedestrian Opening function. You can also connect a keyswitch or keypad mounted adjacent the gate entrance to operate this function.



FIGURE 76.

There is a default two second delay before the gate opens. This is to warn the pedestrian that the gate is about to move.



FIGURE 77.

It will also give the person enough time to move their hand away if they are reaching through the gate to operate a keyswitch or a keypad★.

If the Courtesy Light (page 58) is connected to the **D2 Turbo** control card, it will flash indicating that the gate will open approximately one metre.

The gate will close after a default time of five seconds.

The gate can be kept open by keeping a trigger on the input (keeping your key in the keyswitch, for example) – once removed the gate will close after the default but adjustable five seconds.

If a Closing Safety Beam (page 54) is fitted and the beam is broken while the gate is closing, the gate will stop and open to the Pedestrian Opening position. The gate will remain open while the beam is broken and the five second (fixed) Autoclose Delay will only commence once the beam has been cleared.



★For safety reasons it is recommended that all Pedestrian Keyswitches and keypads are installed on the opposite end of the gate to where the operator is installed

21.1.5. Safety Beam(s) (optional, but recommended)

It is always recommended to connect additional safety mechanisms to the **D2 Turbo/D2 Turbo Low-Voltage** instead of relying only on the inherent anti-crushing protection, referred to above. The typical device is an infrared Safety Beam which can detect the presence of any vehicle, person or pet that breaks the beam and communicates back to the **D2 Turbo** that something is in the path of the gate.

Another option is an Inductive Loop Detector, which is mounted in the ground, adjacent to the gate, which is very effective at detecting vehicles or the like, but not persons or pets.

21.1.5.1. Closing Safety Beams

Closing Safety Beams provide additional protection against your gate closing on people or vehicles.

If the beam is broken while the gate is opening, the gate will continue to open. If the gate is open, the gate cannot be closed if the beam is broken, and if the gate is closing when the beam is broken, it will stop and re-open.

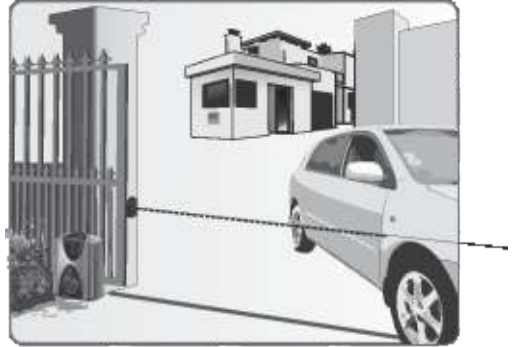


FIGURE 78.

If you select the Autoclose (page 51) feature, the gate will remain open if the beam is broken and it will only close after the set Autoclose time has expired when the beam has been cleared.

Please contact Centurion Systems for more information on suitable protection devices.

21.1.5.2. Opening Safety Beams

These beams prevent your gate from opening if an object, person or pet is in the way.

If the beam is broken while the gate is closed, the gate will not open. If the gate is opening and the beams are broken, it will stop then close. If the gate is closing while the beams are broken, it will continue to close.



FIGURE 79.

21.1.6. Holiday Lockout Mode

This feature completely immobilises the operator and deactivates all inputs so nobody can get into your property while you are away.

One of the buttons on your remote control can be used to switch the Holiday Lockout function On and Off, as well as a latching keyswitch or keypad mounted adjacent the gate entrance, accessible from the outside of the property.

When Holiday Lockout is enabled, any of the access control devices that are connected to the **D2 Turbo** will be rendered inactive. Not even tampering with the keyswitch or keypad on the outside of the property will open the gate – this is particularly useful if you intend leaving your property unattended for extended periods of time.



FIGURE 80.

If Holiday Lockout is enabled while the gate is moving or in the open position, it will only activate once the gate is back in the closed position.

If somebody tries to open the gate via a valid remote control, keypad code, etc. and Holiday Lockout is enabled, the onboard buzzer will emit one beep periodically for 30 seconds to confirm that the gate has been disabled using this feature. Only the input device that invoked Holiday Lockout will be capable of disabling it, and returning the controller to normal operation.

To enable/disable the Holiday Lockout Mode feature, please refer to the section, 'Customising the Features and Functions' on page 60.

21.1.7. Positive Close Mode

Positive Close Mode is intended for applications where the gate must close fully against the gate end post for security reasons – such as ensuring proper contact of a switch on the gate that feeds power to an electric fence.

This feature operates only during the last few millimetres when the gate closes.



It is recommended that a rubber strip be fixed to the front edge of the gate to reduce the noise when the gate closes against the end post.

To enable / disable the Positive Close Mode feature, please refer to the section, 'Customising the Features and Functions' on page 60.

21.1.8. Speed Profiles

The **D2 Turbo** can be set to run on either a High Speed Mode (default) which is approximately 24 metres per minute, or a Low Speed Mode which is approximately 16 metres per minute.

High speeds offer a greater level of convenience and security, while slower speeds ensure increased levels of safety at the gate.

To change the Speed Profile, please refer to the section, 'Customising the Features and Functions' on page 60.

21.1.9. Anti-crushing Sensitivity

The **D2 Turbo** incorporates a sensitive electronic anti-crushing technology that responds in the event that a person or vehicle obstructs your gate.

Using this technology, the typical response for an opening gate is to immediately stop and retract a short distance, while a closing gate will stop and fully reopen.

Collision Sensing can be set to either High Sensitivity or Low Sensitivity. Generally High Sensitivity should be used, but in instances where the gate runs very poorly, for example if the gate's rail is damaged, Low Sensitivity can be selected.

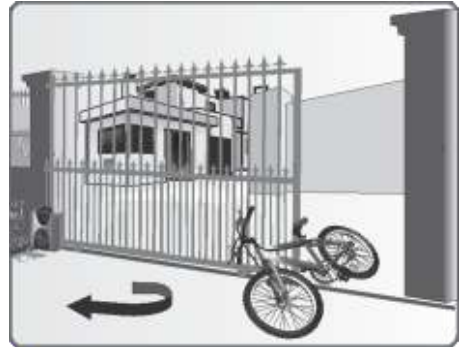


FIGURE 81.

21.1.10. Collision Count

A counter monitors the number of collisions that the gate experiences before it fully closes. If the number exceeds the default value of four, the gate will stop. The Status LED (page 59) will flash four times every second until a remote control or intercom gate release pushbutton is pressed.

Please refer to Gate Status Indication (page 59) for more information on this diagnostic device.

21.1.11. PIRAC – (Beam Autoclose Mode) - optional



PIRAC Mode (Passive Infrared Autoclose) can only be used if a Closing Safety Beam (page 54) is fitted.

This mode can be used in conjunction with any of the Operating Modes, Standard, Open Only and Reversing Modes.

With PIRAC Mode enabled, your gate will close as soon as you have driven through and passed the Safety Beams – giving intruders no time to follow behind you.

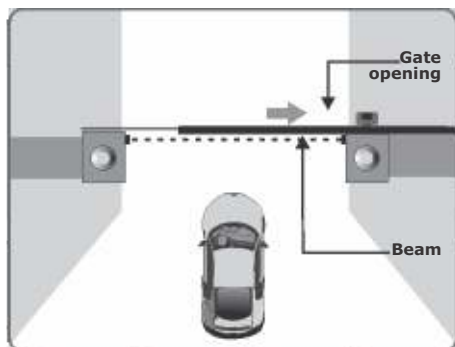


FIGURE 82.

If Autoclose is enabled and the gate has been opened but nothing moves through the Closing Safety Beam, the gate will stay fully open for the duration of the Autoclose timer before closing. However, if something passes through the Closing Beam the gate will close immediately.

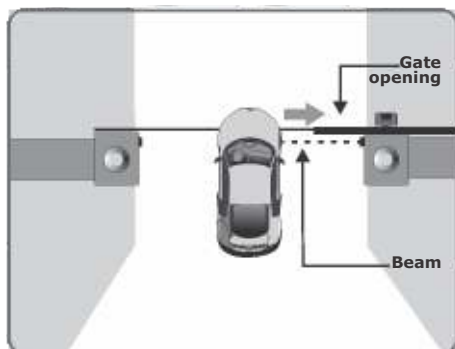


FIGURE 83.

If something crosses the beam while the gate is opening, the gate will continue to open until the beam is cleared. Once the beam is cleared, the gate will stop and close. If the gate has reached its fully open position, it will stop and remain open until the beam is cleared.

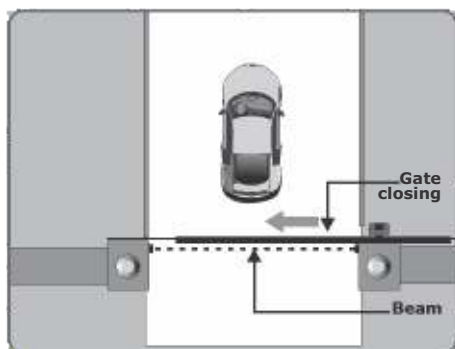


FIGURE 84.

To enable/disable the PIRAC Mode, please refer to the section, 'Customising the Features and Functions' on page 60.

21.1.12. Courtesy (Pillar) Light Timer (optional feature)

Courtesy (Pillar) Lights can be connected through the **D2 Turbo/D2 Turbo Low-Voltage** controller if an adequate★ power supply is available at the gate. The lights will switch on every time the gate is given a signal to operate (the trigger could be a remote control button, or the gate pushbutton on an intercom).

The lights will stay on for a fixed period of two minutes, then automatically turn off.

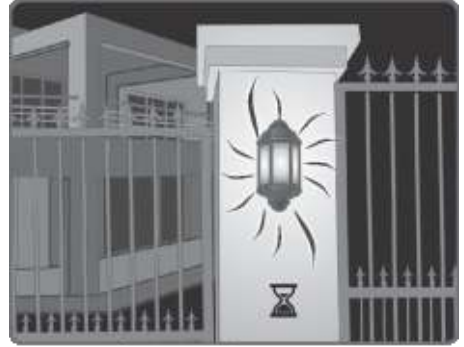


FIGURE 85.

The purpose is to bathe your entrance with light when you open the gates and increase your security as you drive into your property – it also saves electricity as the lights only come on when you use the gate motor.

Using the Pedestrian Opening feature will cause the Courtesy (Pillar) Lights to flash three times before the gate opens.



★The cabling that supplies the input voltage to the **D2 Turbo** must be suitably sized to carry the additional load of the Courtesy (Pillar) Lights.

2.1.12.1. Courtesy (Pillar) Lights act as Warning Light

These modes replace the standard Courtesy Light feature.

21.1.12.1A. Pre-flashing Modes

Depending on your requirements or local regulations, your gate automation system can provide for two different safety Pre-flashing Modes which will activate the gate's Pillar Lights if fitted and connected to the **D2 Turbo** controller.

21.1.12.1B. Pre-flashing Mode A

With Pre-flashing Mode A activated, the Pillar Light Relay will only activate during gate movement.

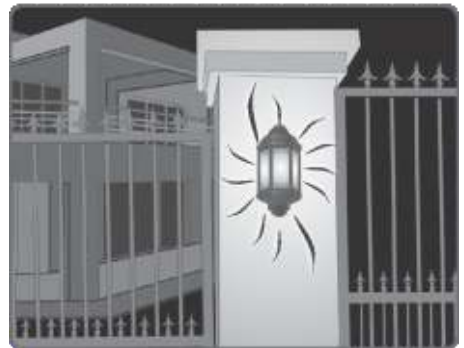


FIGURE 86.

21.1.12.1C. Pre-flashing Mode C

With Pre-flashing Mode C activated, the Pillar Light Relay will activate for two seconds before gate movement occurs, as well as during gate movement.

This means that gate movement will be delayed for a period of two seconds after a trigger signal has been received.

To change the Courtesy (Pillar) to one of the Pre-flashing Modes, please refer to the section, 'Customising the Features and Functions' on page 60.

21.1.13. External Gate Status Indication LED

An LED (Light Emitting Diode) mounted on your intercom allows you to view the position of your gate and the condition of the battery and power supply from the safety of your home. The different signals of the LED are described below:



FIGURE 87.

Off	Gate is closed
On	Gate is partially or fully open
Continuous slow flash	Gate is opening
Continuous fast flash	Gate is closing
Two flashes every two seconds	No mains present
Three flashes every two seconds	Battery voltage is low

TABLE 3.



If you choose not to fit a Gate Status Indicator, the Status LED on the controller can also be used for diagnostics.

21.1.14. Battery-low Protection


The controller has circuitry that monitors the state of the battery. During a power failure, energy is drawn from the battery but not replaced. To protect the battery from being quickly damaged, the protection circuitry prevents the motor from being run off the battery when the battery voltage drops below 10.6V.

Indication that the battery-low protection has been triggered is provided by the onboard buzzer and status LED on the controller (and intercom if so equipped and connected to the controller). The LED will flash three times every two seconds, as will the buzzer beep three times every two seconds.

The gate system will also shut off until such time as the battery has recharged to an acceptable level. Consult your gate automation specialist or Centurion Systems if you discover that your Battery-low Protection signal continues to re-occur.

22. Customising the Features and Functions

'Simplicity is the ultimate sophistication'. ~ Leonardo Da Vinci

The **D2 Turbo** and **D2 Turbo Low-Voltage** controllers make ordinarily complex settings as quick and easy as possible. Using the Function and Setting Dials, the Select/Toggle pushbutton , and the bi-colour (red and green) Status LED you can set up the many features and functions in a flash.

Please always adjust the Function Dial first.

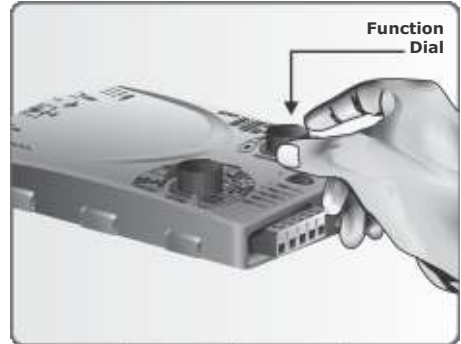


FIGURE 88.

Set this to the desired function, and then move the Setting Dial to the preferred setting.

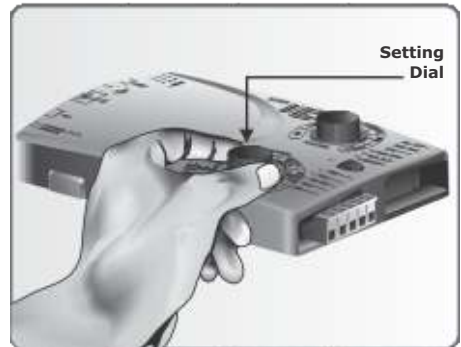


FIGURE 89.

If a setting is for a single fixed value, for example, 15 second Autoclose time, then the Select pushbutton acts as a select for that single choice.
However, if the setting has two options, for example On/Off or Hi/Lo, then the pushbutton acts as a toggle between the two preferences.



FIGURE 90.

When using the Select pushbutton to toggle between preferences the status LED will light up as green to indicate On or High; or alternatively red to indicate Off or Low.



FIGURE 91.



The Function Dial must always be returned to the Run position (rotated fully counter-clockwise) after you have finished setting up any of the features, modes or profiles. This ensures that it will be ready for use.



FIGURE 92.

22.1. Remote control administration

The **D2 Turbo** controllers incorporate an onboard multichannel receiver compatible with code-hopping technology. The receiver will allow any combination of the different inputs - Trigger (Gate fully open), Pedestrian, Holiday Lockout, etc. to be operated from a single multi-button remote control.



FIGURE 93.

You can also artificially increase the number of buttons by using a two-button combination. One of the buttons is used as a Shift button to allow the other buttons to be used again in combination with this button. Press and hold the allocated Shift button and then press one of the other buttons to create a new button. The Shift button cannot be used as a button on its own - it must always be used in combination with another button.

Use of the Shift button principle allows a three-button transmitter to gain an extra button and operate four functions and a four-button transmitter gains two extra buttons and can operate six functions. This is quite handy if you'd like to control additional devices from a single multi-button remote control, for example your garage doors if they are equipped with CENTURION code-hopping receivers.

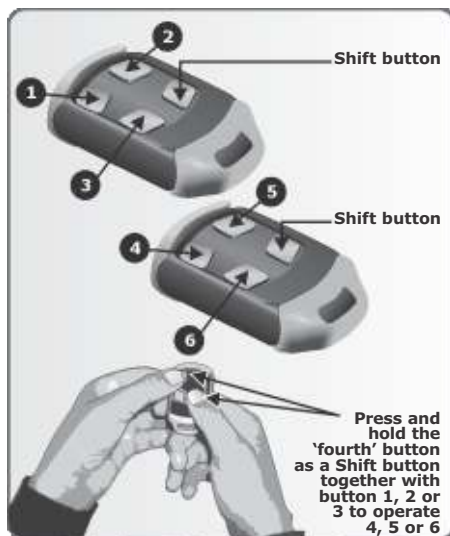


FIGURE 94.

However, it's important to note that the other devices cannot be activated with the new Shift button, only the **D2 Turbo** (and other operators that are equipped with an onboard receiver) is able to recognise the Shift button signals.

Using the shift key principle also prevents you from enabling functions like Holiday Lockout Mode by accident. This is because you have to use both hands to press the two-button combination.

At any stage remote controls can be selectively added or deleted within the system. To selectively delete a remote control, the remote control must be available. Please refer to the section, 'Deleting Specific Remote Controls' on page 64.

22.2. Adding code-hopping remote controls

To add a code-hopping remote control to the onboard receiver and assign a button to any specific function as described above, please follow the steps below:

Step 1: Rotate the Function Dial to the REMOTES position (B).

Step 2: Rotate the Setting Dial to the desired selection along the 'B' row of options.



FIGURE 95.



You can choose from the following settings:

- Tx TRG to assign a remote control button to be learned into the system and trigger the gate to fully open
- Tx PED to assign a remote control button to be learned into the system and partially open the gate for a pedestrian
- Tx LCK to assign a remote control button to be learned into the system and activate Holiday Lockout Mode

Step 3: Press the pushbutton to select the setting chosen from above – the Status LED will change from red to green to confirm the setting.



FIGURE 96.

Step 4: Press the desired button on the remote control(s) that you want to activate the selected function.

The Status LED will flash twice indicating that the onboard receiver has learned in the remote control(s). The onboard buzzer will also pulse twice.



FIGURE 97.

Step 5: Return the Function Dial to the RUN position.

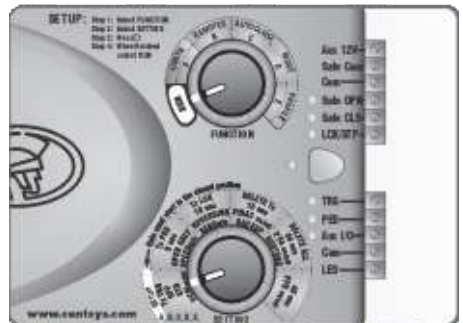


FIGURE 98.

22.3. Deleting specific remote controls

To delete specific remote controls from the **D2 Turbo's** onboard receiver, please follow the steps below:

Step 1: Rotate the Function Dial to the REMOTES position (B).

Step 2: Rotate the Setting Dial to DELETE Tx along the 'B' row of options. This will delete specific remote controls from the onboard receiver's memory.

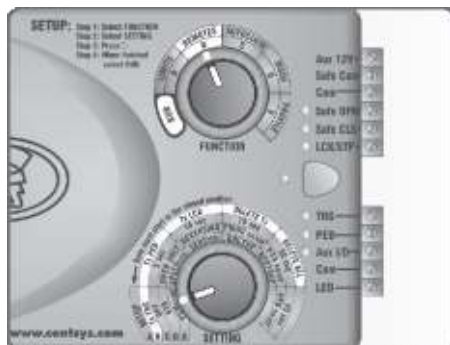


FIGURE 99.

Step 3: Press the pushbutton to select – the Status LED will change from red.



FIGURE 100.

Step 4: Press any button on the specific remote control(s) that you want to delete from the onboard receiver's memory.

The Status LED will flash green three times and the buzzer will also beep three times indicating that the onboard receiver has deleted the remote control(s) from its memory.

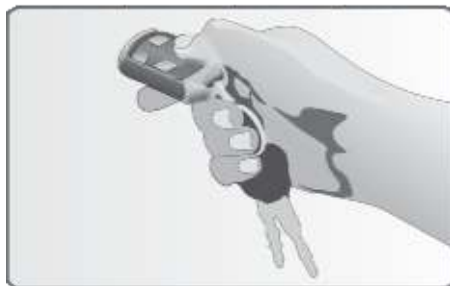


FIGURE 101.

Step 5: Return the Function Dial to the RUN position.



FIGURE 102.

22.4. Deleting all remote controls

To delete all the learned-in remote controls from the **D2 Turbo** onboard receiver, please follow the steps below:

Step 1: Rotate the Function Dial to the REMOTES position (B).

Step 2: Rotate the Setting Dial to DELETE ALL along the 'B' row of options. This will delete all remote controls from the onboard receiver's memory.

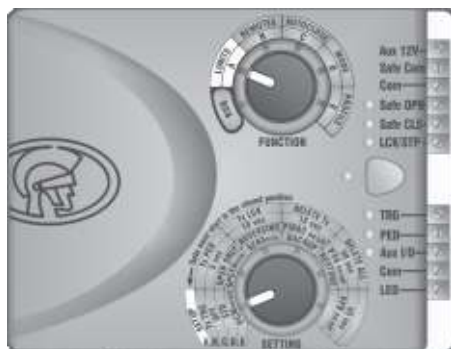


FIGURE 103.

Step 3: Press the pushbutton to select the setting.

The Status LED will initially flash red. Hold down the pushbutton until the Status LED turns green and three beeps are heard. This will indicate that the onboard receiver has deleted the remote control(s) from its memory.



FIGURE 104.

Step 4: Return the Function Dial to the RUN position.

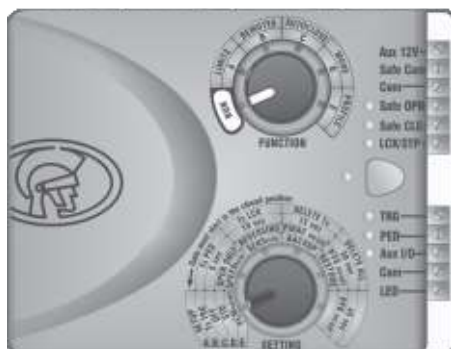


FIGURE 105.

22.5. Setting the Autoclose feature

The Autoclose feature can be selected to be either Off or Activated, with a pre-selected time delay.

22.5.1. Activating the Autoclose feature

To activate the Autoclose, with a pre-selected time delay, please follow the steps below:

Step 1: Rotate the Function Dial to the AUTOCLOSE position (C).

Step 2: Rotate the Setting Dial to the desired time delay setting along the 'C' row of options. You can choose either 5 seconds, 10 seconds, 15 seconds, 30 seconds or 45 seconds.



FIGURE 106.

Step 3: Press the pushbutton to select your choice.



FIGURE 107.

The Status LED will change from red to green indicating that the Autoclose feature has been activated with the delay time selected in Step 2.



FIGURE 108.

Step 4: Return the Function Dial to the RUN position.



FIGURE 109.



Please note that if the operator is running in Open Only Mode – the Autoclose feature is activated with a 15 second delay as the default – this can be changed if necessary.

22.5.2. Deactivating the Autoclose feature

To deactivate the Autoclose feature, please follow the steps below:

Step 1: Rotate the Function Dial to the AUTOCLOSE position (C).

Step 2: Rotate the Setting Dial to the OFF selection along the 'C' row of options. The Status LED will be red if Autoclose is on. If it is already Off, the Status LED will be green.



FIGURE 110.

Step 3: Press the pushbutton to select.

The Status LED will change from red to green indicating that the Autoclose feature has been deactivated or switched Off.



FIGURE 111.

Step 4: Return the Function Dial to the RUN position.



Please note that if the operator is running in Open Only Mode – the Autoclose feature cannot be deactivated.



FIGURE 112.

22.6. Setting the Mode of Operation

The **D2 Turbo** has three modes to choose from depending on the application. Only one mode can be selected at any given time.

22.6.1. Standard Mode

To activate Standard Mode please follow these steps:

Step 1: Rotate the Function Dial to the MODE position (D).

Step 2: Rotate the Setting Dial to the STD selection along the 'D' row of options.

Step 3: Press the pushbutton to select the setting. The Status LED will change from red to green indicating that the Standard Operating Mode has been activated.

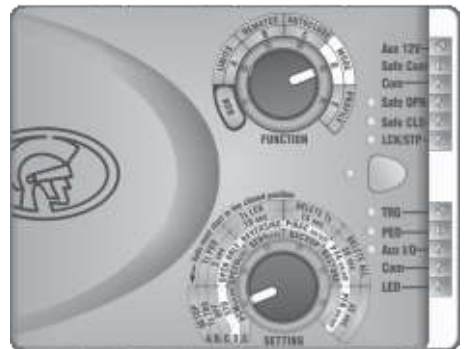


FIGURE 113.



FIGURE 114.

Step 4: Return the Function Dial to the RUN position.



Please note that PIRAC Mode can be active in addition to this mode if so desired.

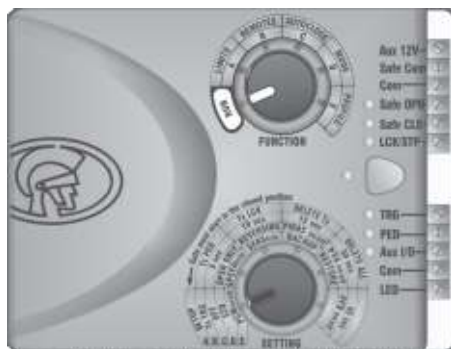


FIGURE 116.

22.6.2. Open Only Mode

To activate Open Only Mode please follow these steps:

Step 1: Rotate the Function Dial to the MODE position (D).

Step 2: Rotate the Setting Dial to the OPEN ONLY selection along the 'D' row of options.

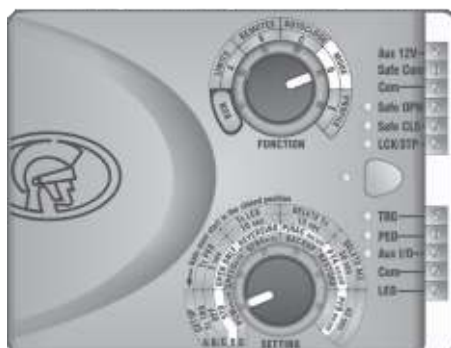


FIGURE 116.

Step 3: Press the pushbutton to select the setting.

The Status LED will change from red to green indicating that the Open Only Operating Mode has been activated.



FIGURE 117.

Step 4: Return the Function Dial to the RUN position.



Please note that PIRAC Mode can be active in addition to this mode if so desired.

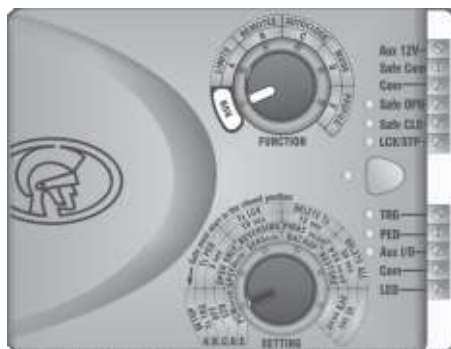


FIGURE 118.

22.6.3. Reversing Mode

To activate Reversing Mode, please follow the steps below:

Step 1: Rotate the Function Dial to the MODE position (D).

Step 2: Rotate the Setting Dial to the REVERSING selection along the 'D' row of options.

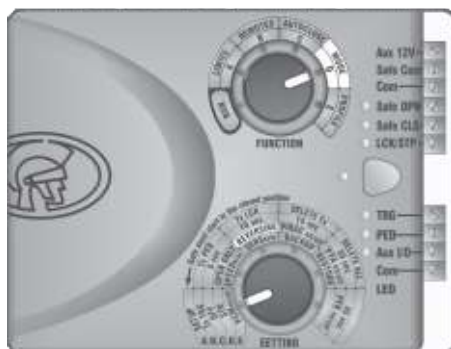


FIGURE 119.

Step 3: Press the pushbutton to select the setting.

The Status LED will change from red to green indicating that the Reversing Operating Mode has been activated.



FIGURE 120.

Step 4: Return the Function Dial to the RUN position.



Please note that PIRAC Mode can be active in addition to this mode if so desired.

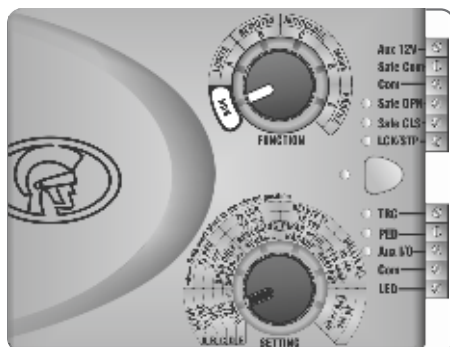


FIGURE 121.

22.7. Setting PIRAC Mode

PIRAC (Beam Autoclose) Mode can be activated when using any of the three Operating Modes (Standard, Open Only, or Reversing).

To select PIRAC Mode as either On or Off, please follow the steps below:

Step 1: Rotate the Function Dial to the MODE position (D).

Step 2: Rotate the Setting Dial to the PIRAC on/off selection along the 'D' row of options.

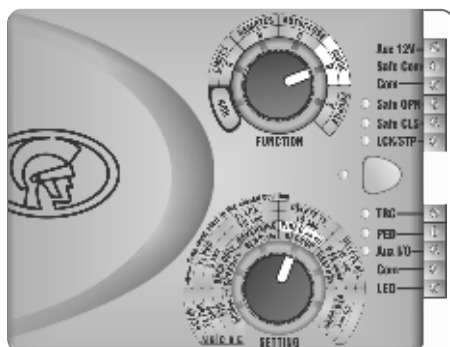


FIGURE 122.

Step 3: Press the pushbutton to toggle between On and Off.

The Status LED will change from red to green indicating that PIRAC Mode has been activated, or it will change to red indicating that PIRAC Mode has been deactivated.



FIGURE 123.

Step 4: Return the Function Dial to the RUN position.



FIGURE 124.

22.8. Setting the Pre-flashing Modes

Pre-flashing Mode A and Pre-flashing Mode C can be activated in addition to any of the above Modes of Operation.

To select a Pre-flashing Mode as either on or off, please follow the steps below:

Step 1: Rotate the Function Dial to the MODE position (D).

Step 2: Rotate the Setting Dial to either PFA on/off for Pre-flash Mode A, or PFC on/off for Pre-flash Mode C along the 'C' row of options.

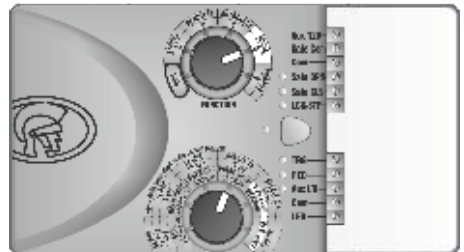


FIGURE 125.

Step 3: Press the pushbutton to toggle the Pre-flash Mode between On and Off.

The Status LED will change from red to green indicating that the selected Pre-flash Mode has been activated, or it will change to red indicating that it has been deactivated.



FIGURE 126.

Step 4: Return the Function dial to the RUN position.



FIGURE 127.

22.9. Setting the Operating Profiles

Three Operating Profiles, Positive Close Mode, Speed and Collision Sensitivity, can each be configured depending on your individual requirements.

22.9.1. Positive Close Mode

To activate or deactivate Positive Close Mode, please follow the steps below:

Step 1: Rotate the Function Dial to the PROFILE position (E).

Step 2: Rotate the Setting Dial to PCM on/off along the 'E' row of options.



FIGURE 128.

Step 3: Press the pushbutton to toggle the chosen mode between On and Off.

The Status LED will change from red to green indicating that the selected Positive Close Mode has been activated, or it will change to red indicating that it has been deactivated.



FIGURE 129.

Step 4: Return the Function Dial to the RUN position.



FIGURE 130.

22.9.2. Setting the Speed Profile to High or Low

To select the desired speed profile, either High (approximately 24m/min) or Low (approximately 16m/min) please follow the steps below:

Step 1: Rotate the Function Dial to the PROFILE position (E).

Step 2: Rotate the Setting Dial to SPEED hi/lo along the 'E' row of options.

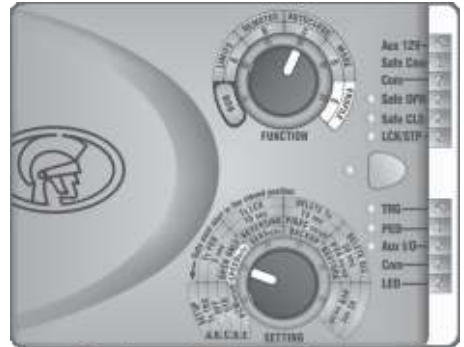


FIGURE 131.

Step 3: Press the pushbutton to toggle Speed profile between High and Low.

The Status LED will change from red to green indicating that the High Speed Profile has been activated, or it will change to red indicating that the Low Speed Profile has been activated.



FIGURE 132.

Step 4: Return the Function Dial to the RUN position.

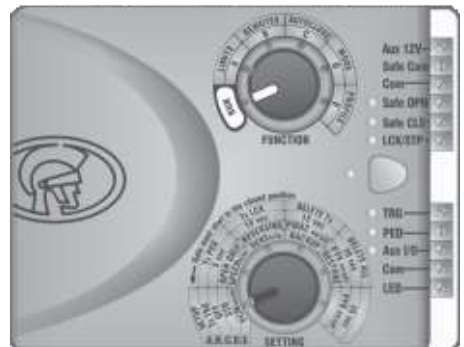


FIGURE 133.

22.9.3. Setting the Anti-crushing Sensitivity Profile

To select the desired sensitivity of the anti-crushing technology to either High or Low, please follow the steps below:

Step 1: Rotate the Function Dial to the PROFILE position (E).

Step 2: Rotate the Setting Dial to SENS hi/lo along the 'E' row of options.



FIGURE 134.

Step 3: Press the pushbutton to toggle the Sensitivity Profile between High and Low.

The Status LED will change from red to green indicating that the High Sensitivity Profile has been activated, or it will change to red indicating that the Low Sensitivity Profile has been activated.



FIGURE 135.

Step 4: Return the Function Dial to the RUN position.



FIGURE 136.

22.10. Verifying your Setup

Should you wish to verify your settings you can rotate the Function Dial to the function that you want to check the settings of. Then rotate the Setting Dial to the various selection options. The status LED will light up as green to indicate that the selected option is either On or High; or alternatively red to indicate Off or Low.

22.11. Reverting to Factory Defaults

It is possible to clear and default the system completely, resetting all programmed settings to default values and clearing all learned remotes as well as gate limits.

To perform a complete reset:

- Remove power from the unit by disconnecting both the mains supply and one battery terminal
- Press and hold the pushbutton
- Reapply power to the unit (it makes no difference whether the battery or mains is reconnected first)
- Release the pushbutton
- The controller is now defaulted

22.12. Factory Defaults schedule

Parameter description	Unit	Minimum	Default	Maximum
Sensitivity	Hi/Lo	Lo	Hi	Hi
Autoclose status	On/Off		Off	
Autoclose timer	s	5s	Off	45s
Modes of Operation	S, O, R		S	
PIRAC	On/Off		Off	
PCM status	On/Off		Off	
Speed	Hi/Lo	Lo	Hi	Hi
Light profile	CUR, PFA, PFC		CUR	

TABLE 4.

23. Description of Terminal Functions

Motor **Motor output** – connects to the **Blue** or **Black** motor wire.

Motor **Motor output** – connects to the **Orange** or **Red** motor wire.

Batt + Positive battery connection.



Battery terminal normally indicated as **+** or **red** (right-hand battery)

Batt - Negative battery connection.



Battery terminal normally indicated as **-** or **black** (right-hand battery)

COM The **common** termination point. All trigger signals, etc. have their return path to one of the COM terminals.

PED **Pedestrian Opening input.** (A normally-open potential-free input). Momentarily connecting this input to COM will cause the gate to open to the Pedestrian open position. For more information refer to the Pedestrian feature.

TRG **Trigger input.** (A normally-open potential-free input) Momentarily connecting this input to COM will cause the gate to open or close depending on the operating mode selected. For more information see the Autoclose feature and Modes of Operation.

LCK/STP **Holiday Lockout or gate Stop input.** (A normally-closed potential-free input). For as long as a connection between this input and COM is maintained the controller will behave normally. But, when this connection to COM is broken all inputs are inhibited and all triggers except the one that invoked the feature will be ignored, and if the gate is moving it will stop. As the name implies, this feature is mostly used in situations where the premises will be left uninhabited for a period of time, for example when the residents go away on holiday, and electronically locks the entire system for added security. While this is usually a remote control button, other typical devices include a pushbutton, keypad, keyswitch and any number of access control devices.



If this input is enabled while the gate is moving or in the open position, it will only activate and inhibit operation of all the inputs when the gate is back in the closed position



If the LCK function is not required a link must be fitted between LCK and COM*(refer to note on page 78)

Safe OPN

OPENING edge safety input. (A normally-closed potential-free input). As long as a connection between this input and COM is maintained the controller will behave normally. When this connection is broken it will prevent the gate from opening if it is stationary, and will stop and reverse the gate if it is opening. This input has no effect if the gate is closing.



If the Safe OPE and reverse functions are not required a link must be fitted between safe OPE and COM for the controller to operate normally.*)

- * When setting up the controller for the first time or after a full reset back to factory defaults has been performed, the system will electronically override the Safety Inputs and allow the system to function without the links. However, if safeties are connected to either or both inputs, thereafter there must be a normally-closed circuit maintained for the system to operate correctly. I.e. if beams are fitted and then removed, the circuit which is affected must be replaced with a wire link to create the normally-closed circuit.

Safe CLS

CLOSING edge safety input. (A normally-closed potential-free input). As long as a connection between this input and COM is maintained the controller will behave normally. When this connection is broken it will prevent the gate from closing if it is stationary, and will stop and reverse the gate if it is closing. This input has no effect if the gate is opening.



If the Saf CLS function is not required a link must be fitted between Safe CLS and COM for the controller to operate normally.*)

- * When setting up the controller for the first time or after a full reset back to factory defaults has been performed, the system will electronically override the Safety Inputs and allow the system to function without the links. However, if safeties are connected to either or both inputs, thereafter there must be a normally-closed circuit maintained for the system to operate correctly. I.e. if beams are fitted and then removed, the circuit which is affected must be replaced with a wire link to create the normally-closed circuit.

LED

External gate status indicator. (A low-current output signal.) An output terminal which provides a low-drive (approx. 4,5V DC, 20mA) to an LED which can be used to indicate the gate status remotely. If more than three LEDs are required it is necessary to fit the CP78 MULTI-LED driver card.

Aux 12V

Auxiliary power connection. Provides a +12V DC supply for auxiliary equipment such as a radio receiver, Safety Beam(s) etc. It is linked directly to the battery positive via a 3A resettable fuse.

Safe Common

Used for switching the power supply to the Safety Beam(s). If automatic beam testing is required, the negative power supply connection of the beam transmitters and receivers must be wired to this point.



When setting up the controller for the first time or after a full reset back to factory default has been performed, the system will electronically override the Safety Inputs and allow the system to function without the links. However, if safeties are connected to either or both inputs thereafter, there must be a normally-closed circuit maintained for the system to operate correctly. I.e. if beams are fitted and then removed, the circuit which is affected must be replaced with a wire link to create the normally-closed circuit.

24. Diagnostics

Diagnostic LEDs

The **D2 Turbo** controller has a series of diagnostic LEDs which indicate the state of the inputs. Normally-open inputs are indicated by a RED LED, and normally-closed inputs by a GREEN LED. An illuminated RED LED indicates that the signal is present (e.g. intercom button pressed), while an illuminated GREEN LED indicates that the signal is absent (e.g. infrared Safety Beam not broken).

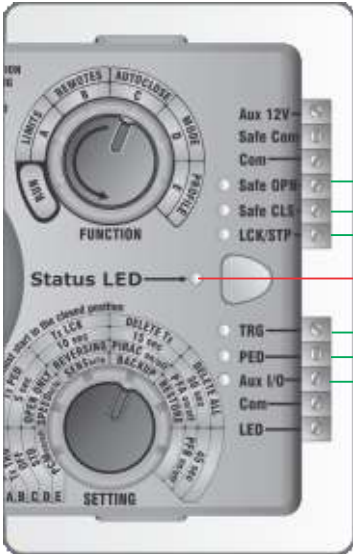


FIGURE 137.

- Safety OPN:** Green
On when the opening beam is not activated
- Safety CLS:** Green
On when the closing beam is not activated
- LCK/STP:** Green
On when the LCK/STP input is not activated
- Status:** Red
This LED indicates the state of the gate as per the table below
- TRG:** Green
On when a trigger signal is present
- PED:** Green
On when the pedestrian signal is present
- AUX:** Green
On when an auxiliary signal is present

Buzzer feedback


A warning buzzer will sound (where applicable) as per the table below:

Inhibitor name	Priority	Number of beeps	Fault type	Gate continues to operate	User can correct error
Battery-low	1	3 beeps every two seconds for 30 seconds	Power system fault	Yes*	Yes
Multiple collisions	2	Periodic until condition is cleared by user	Collision	No	Yes
Holiday Lockout	3	3 beeps periodically for 30 seconds	User	No	Yes
Mains failure	4	2 beeps every two seconds for 30 seconds	Power system fault	Yes	Yes
Beams broken (any)	5	1 beep periodically for 30 seconds	User	No	Yes
Safety beams failure	6	3 beeps each time the gate is triggered	User	No	Yes

TABLE 5.

* Gate will close fully and then shutdown for two minutes

25. Troubleshooting

Problem	Possible faults
Gate does not move	<ul style="list-style-type: none"> • Fuse is blown – Check 30A ATO fuse, and replace if necessary • LCK (Holiday lockout) input activated. Green LCK light should be ON • IRBC/IRBO (IR beams) inputs activated <ul style="list-style-type: none"> • IRBC - gate will not close once open; IRBO - gate will not open once closed • Green IRBC/IRBO lights should be ON - check cabling and 12V •  Latching input on TRG. (TRG light must be off for gate to operate) • Check for an Auto-activation on TRG input • Check the battery condition with Procedure A: Low battery voltage condition, later in this section • If Status light flashes four times, then the operator is in Multiple Collision Mode. If required, check with Procedure B: False collision detection, later in this section • If the problem persists, the main controller might be faulty
Gate moves a short distance, and then stops	<ul style="list-style-type: none"> • Check the battery condition with Procedure A: Low battery voltage condition, especially if the Status Light flashes three times • Check for false collisions with Procedure B: False Collision Detection, later in this section • Intermittent IRBC/IRBO signals. Check that the voltage applied to the beams is appropriate • False trigger. Intermittent short due to possible moisture on the TRG input. Monitor TRG LED • If the problem is still not solved, the main controller might be faulty • Check collision sensitivity and other causes with Procedure B: False Collision Detection
Gate starts closing, then stops and re-opens	<ul style="list-style-type: none"> • Besides a faulty controller, which will be considered last, the only factor that could cause this symptom is a missing origin or faulty DOSS module • However, initially before the gate overrides its limits, if the origin is not detected, the controller will automatically start beeping when the gate is running, but it will allow normal operation.
Gate overrides its limits	<p>Check for the following:</p> <ul style="list-style-type: none"> • Check that the origin marker is correctly positioned as shown on page 34 • Check that the DOSS sensor harness is properly plugged into the magnetic switch at one end and the controller at the other

Problem

Possible faults

Gate overrides its limits

- Carefully check the condition of the harness. Look out for any bad crimp joints between the wires and the connectors at both ends of the harness
- Check that the magnetic switch is mechanically switching. In manual mode, slide the gate backwards and forwards so that the magnet passes the switch each time. Listen out for a distinctive click as the switch operates
- Check that the respective origin sensor is securely clipped into the housing
- Check that the origin magnet is correctly positioned as shown on page 35
- If the problem is not solved, the main controller might be faulty

Unreliable Autoclose

- Latching receiver on TRG would activate the Autoclose override feature
- Long pulse on TRG would activate the Autoclose override feature
- Faulty IRBC Beam signal
- Intermittent power loss, check for low voltages with Procedure A: Low Battery Voltage Condition
- If the problem is still not solved, the main controller might be faulty

Gate opens to Pedestrian and closes

- Intermittent fault on PED (Pedestrian) input. Check wiring, and key switch/keypad operation
- Check Procedure B: False Collision Detection
- If the problem is still not solved, the main controller might be faulty

Gate opens to Pedestrian and stays open

- There is a continuous PED signal, the PED light will be on continuously. (The PED light and signal must turn on momentarily for the gate to close after a pedestrian signal.) If an external receiver is operating the PED input, check for an accidentally latching contact, or a faulty keyswitch/keypad
- If the problem is still not solved, the main controller might be faulty

Gate opens from the intercom, but not via the remote control

The fault is with the receiver.

- Check that remotes are correctly learned to the receiver. Refer to the section on Remote Control Administration for the procedure for correctly learning in remote control buttons
- The onboard receiver could be faulty
- If an external receiver is used, check:
 - the wiring between the receiver and control card
 - check that the receiver has power
 - the receiver - it could be faulty
 - remotes are learned in correctly to the receiver

Procedure A - Low-battery voltage condition

Status light flashes three times

If the battery voltage is less than 10.5V, the motor will not operate at all. For any other voltage, the battery could still be the cause of the problem. Check that the battery is being properly charged.

- Check that the mains power is turned ON (measure 90V - 240V AC on the mains connector for the **D2 Turbo**, or 10V - 20V AC/10V - 28V DC for the **D2 Turbo Low-Voltage**)
- Check the condition of the battery leads, terminals and connectors. Look for and correct all loose connections and signs of corrosion
- The battery might be discharged. Measure the battery voltage with the charger connected; if the voltage is below 12.5V then the battery is discharged. The number of opening cycles per hour may be excessive, thus discharging the battery. Charge the battery if required
- The onboard charger might be faulty. Disconnect the battery, and measure the voltage on the battery leads.

It must be between 13.6V and 13.8V. If not replace the controller

- Battery may be old, and might have to be replaced. If in doubt test as follows:
 - Check that the battery is charged by ensuring that the battery voltage is above 13.5V with the onboard charger connected. (If the battery is in a good condition it would probably pass the test without being fully charged)
 - Isolate the mains from the controller
 - Remove the DC motor leads from the DC Controller
 - Apply the DC motor leads directly to the battery, while measuring the battery voltage



First make sure that the moving gate will not pose any danger.

- If the gate does not move, the battery or motor could be faulty
- If the battery voltage remains unchanged, then the motor is faulty and must be serviced. If the battery voltage drops to below 11.2V then the battery must be replaced
- Before replacing the battery, measure the charging voltage on the battery. Leads with the battery disconnected. It must be between 13.6V and 13.8V. If not, replace the charger.

Procedure B - False collision detection

Status light flashes four times to indicate that number of collisions have exceeded the Collision Counter feature value.

With the operator in Manual Mode, check the following and correct if necessary:

- Check for badly running gate, or something physically obstructing the gate.
Activate the manual override and manually move the gate to check for ease of operation
- Rack pressing down onto pinion
- Bad rack joints
- Seized or badly running wheels
- Top guide-rollers restricting the gate
- Dirt on rail
- Physical damage to the rail
- Wheel catching side of pinion
- Gate hitting endstop
- Check the DC motor wires for loose connections
- Check that the sensor wire harness is securely plugged into controller
- If the problem is not solved replace the motor module and main controller



Red/Black/Orange Wire = Origin Switch, and
Red/Black/Purple Wire = DOSS Sensor.

26. Manual Operation

26.1. Disengage the gearbox/drive

To manually override the operator you will need to:

1. Open the camlock cover, insert the camlock key and rotate it 90° clockwise (the cover can also be removed at this stage if so desired). This will allow for the rotation of the Manual Release thumbwheel.



FIGURE 138.

By turning the Manual Release thumbwheel 90° counter-clockwise until it clicks, the motor pinion will be put into 'Manual Mode'.



FIGURE 139.

26.2. Re-engage gearbox/drive

To re-engage the drive mechanism of the operator you will need to:

1. Turn the Manual Release thumbwheel 90° clockwise until it clicks.
2. Once you have re-engaged the drive mechanism don't forget to lock the camlock by inserting the key and rotating it 90° counter-clockwise – this will help prevent unauthorised tampering with the operator.



FIGURE 140.

3. By locking the camlock, the Manual Release thumbwheel cannot be moved from 'locked' to 'unlocked' and vice versa.

27. Additional Features

27.1. Battery saver

In the event of a battery-low shutdown, only the motor will stop drawing current – the controller, infrared beams and any other peripheral device will continue to flatten the battery; however, at a much slower rate.

An optional low cut-out switch (product code CP107) totally disconnects the battery and protects it from being fully discharged and potentially damaged.

Consult your gate automation specialist for further details.



FIGURE 141.

27.2 Solar power supply

A solar panel can be used to charge the battery instead of the conventional charging circuit. A 20W panel will provide enough power for 20 daily operations of an average gate (less if 12V DC security lights are fitted).

You will need to fit a deep-cycle low-maintenance battery (minimum 35Ah) in order to provide sufficient backup capacity during days of poor weather.

These are typical values for Southern Africa. Contact your gate automation specialist for details on what solar panel to select in your area.

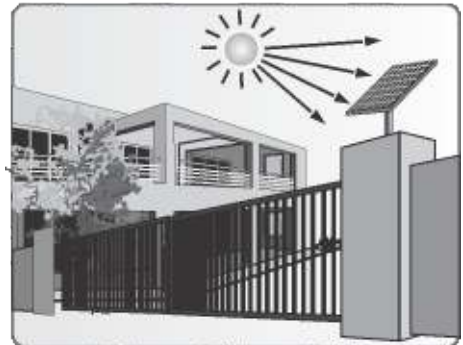


FIGURE 142.

The mains fail buzzer can be silenced on the **D2 Turbo Low-Voltage** by inserting a wire link between Aux 12V and power input terminal.



FIGURE 143.

28. Basic Maintenance

CENTURION operators are designed to be maintenance-free. However, there are some basic checks that should be carried out regularly (every six months). These checks will increase the long-term reliability of the system and prevent erratic operation of your gate.



ISOLATE MAINS SUPPLY TO SYSTEM BEFORE CLEANING OR WORKING ON THE EQUIPMENT.

General

Even if the user has used a gate operator before, it does not mean that he knows how to SAFELY operate it. Make sure that the user fully understands the following safety requirements before finally handing over the site.

Show the user how to do the following:

- Keep the track clear of stones, dirt and obstructions
- Ensure that all rollers run freely
- Put the operator into Manual Mode and check that the gate runs freely on its rail and does not catch or foul against the walls or pillars
- Ensure that the gate wheels and guide-rollers are rotating freely and are not worn. In high-volume applications it will be necessary to replace these components regularly
- Ensure that the rack is properly secured to the gate and that it does not press down onto the operator pinion at any point along its travel
- Keep shrubs and vegetation clear of the motor and rack
- Check that the key still operates the camlock - spray with lubrication if necessary
- Keep the inside of the motor housing clear of insects and dust



FIGURE 143.



FIGURE 144.

CENTURION operators are fitted with high-quality, maintenance-free lead acid batteries which should provide up to three years of normal service life.

- Check for corrosion of the battery terminals
- Clean and apply copper-based grease as necessary

29. Servicing the Operator

Refer all servicing to qualified service personnel. Consult your local dealer for assistance. Your **D2 Turbo** sliding gate operator requires no special care other than that described in the Maintenance section. If you are having a problem with your **D2 Turbo**, please contact your installer or local dealer.

30. Installation Handover

Once the installation has been successfully completed and tested, it is important for the installer to explain the operation and safety requirements of the system.



NEVER ASSUME THE USER KNOWS HOW TO SAFELY OPERATE AN AUTOMATED GATE!

Even if the user has used a gate operator before, it does not mean he knows how to SAFELY operate it. Make sure that the user fully understands the following safety requirements before finally handing over the site.

The following needs to be understood by the user:

- How to operate the Manual Release thumbwheel mechanism. **(Show them how by demonstration)**
- How the obstruction detection and all other safety features work. **(Show them how by demonstration)**
- All the features and benefits of the operator, i.e. Safety Beams, etc.
- **All the safety considerations associated with operating an automated gate. The user should be able to pass this knowledge on to all other users of the automated system and must be made aware of this responsibility**



- **Do not activate the gate operator unless you can see it and can determine that its area of travel is clear of people, pets, or other obstructions**
- **NO ONE MAY CROSS THE PATH OF A MOVING GATE. Always keep people and objects away from the gate and its area of travel**
- **NEVER LET CHILDREN OPERATE OR PLAY WITH THE GATE CONTROLS, and do not allow children or pets near the gate area**
- **Be careful with moving parts and avoid close proximity to areas where fingers or hands could be pinched**
- **Secure all easily-accessed gate operator controls in order to prevent unauthorised use of the gate**
- **Keep the automated gate system properly maintained, and ensure that all working areas are free of debris and other objects that could affect the gate operation and safety**
- **On a monthly basis, check the obstruction detection system and safety devices for correct operation**
- **All repair and service work to this product must be done by a suitably qualified person**

This product was designed and built strictly for the use indicated in this documentation. Any other use, not expressly indicated here, could compromise the good condition/operation of the product and/or be a source of danger!



Centurion Systems (Pty) Ltd does not accept any liability caused by improper use of the product, or for use other than that for which the automated system was designed.

Ensure that the customer is in possession of the User Guide and that you have completed the installation details in the back of the User Guide.

Once the installation has been successfully completed and tested, it is important for the installer to explain the operation and safety requirements of the system.

Centurion Systems (Pty) Ltd does not accept any liability caused by improper use of the product, or for use other than that for which the automated system was designed.

Notes

A series of horizontal dotted lines for writing notes.



Notes

A series of horizontal dotted lines for writing notes.





 [facebook.com/CenturionSystems](https://www.facebook.com/CenturionSystems)

 [YouTube.com/CenturionSystems](https://www.youtube.com/CenturionSystems)

Subscribe to the newsletter: www.CentSys.com/Subscribe

Sharecall 0860-CENTURION (0860 236 887)
Head Office: +27 11 699 2400

Sharecall Technical Support 0861 003 123 or
+27 11 699 2481
from 07h00 to 18h00 (GMT+2)

(Sharecall numbers applicable when dialed from within South Africa only)



0.07.A.0229_28032014

www.CentSys.com