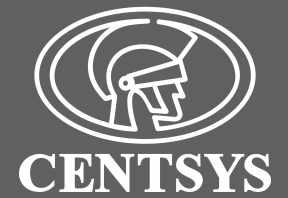


CP106 Relay Switch for SupaSMART, SMARTGUARD and CP77 Maglock Interface



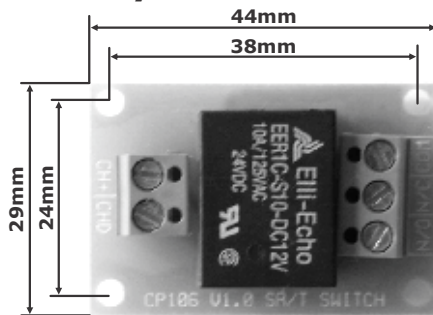
This optional controller interfaces with the open collector output (CH2/CH3) of either the SupaSMART multi-user receiver or the SMARTGUARD keypad to provide a potential-free contact (normally-closed/normally-open).

It can be used to operate a door lock, gate motor, roller-shutter operator, traffic barriers, etc.

It can also be used as a relay interface to operate a magnetic lock with a CP77 controller.

Refer to the following diagrams for detailed connection instructions:

Physical dimensions

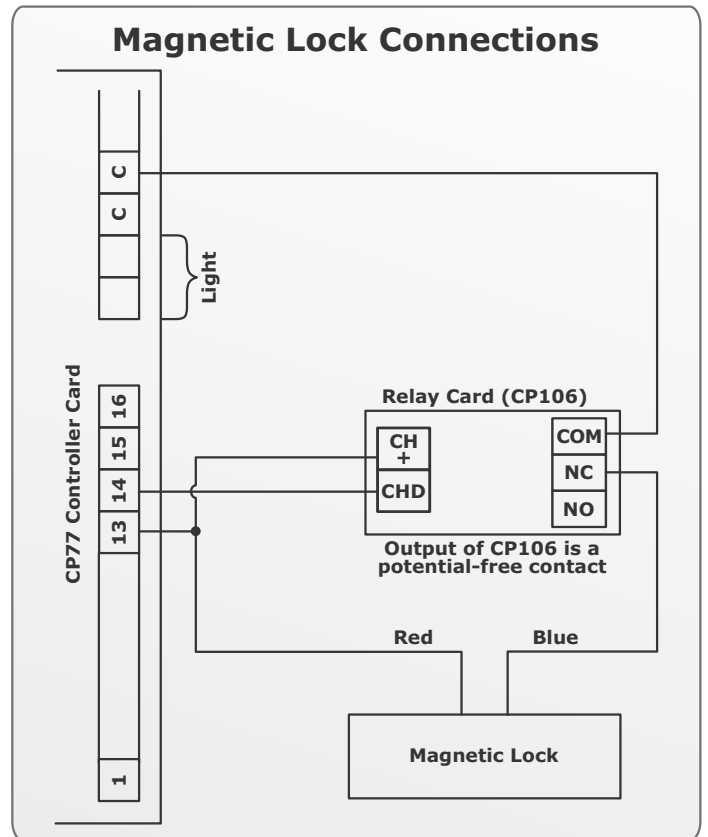


Height of card - 16mm

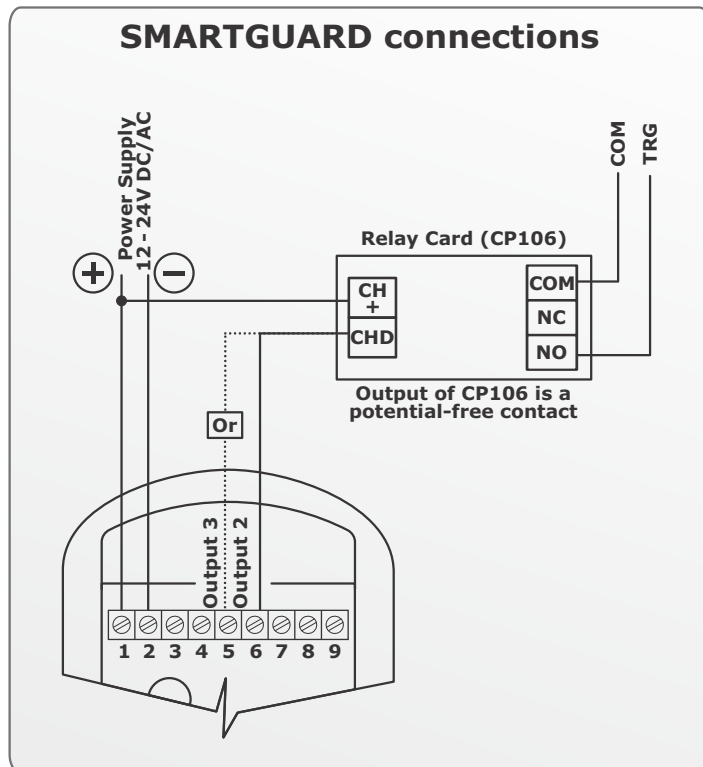
Technical specifications

Supply voltage: **12V DC ONLY**
 Product code: CP106

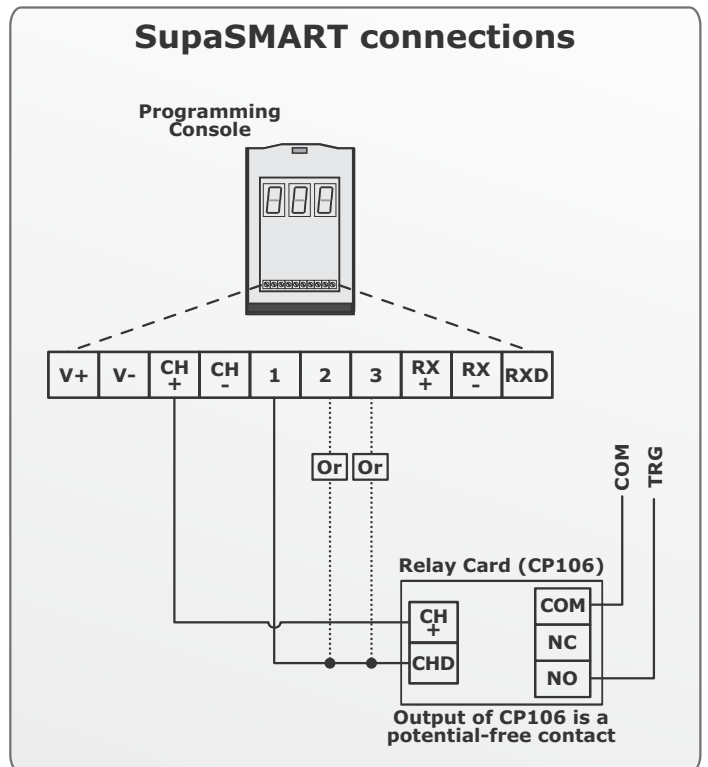
Magnetic Lock Connections



SMARTGUARD connections



SupaSMART connections



0.07.A.0236_03062014