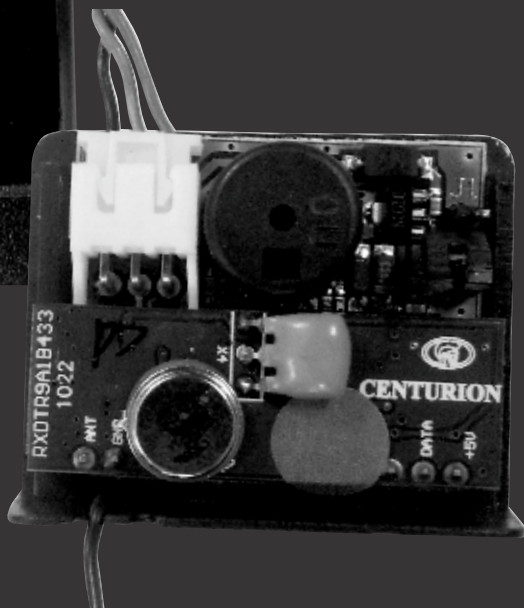


NOVA Voyager receiver operating instructions for garage door openers



NOVA
Voyager



**SINGLE
CHANNEL
RECEIVER**

The NOVA VOYAGER Kit

Thank you for purchasing a NOVA VOYAGER Kit Version 4 with your garage door operator. All products manufactured by CENTURION are produced using the highest quality components and in accordance with the ISO 90012000 quality control system to ensure a long lasting and reliable product.

The NOVA system using KEELOQ rolling code technology offers the ultimate security in a remote control. Every time the transmitter is operated it communicates with the receiver inside the operator using a totally new randomly generated code. This ensures that a would-be intruder can neither clone nor code grab the transmitter in order to operate the door motor and gain entry.

Table of Contents

Kit components

The NOVA Voyager Receiver

- Introduction
- Wiring and mounting diagrams
- Self learning memory capability
- Learning the MASTER remote
- Learning additional buttons
- Erasing the memory
- I've lost the MASTER remote

Mounting the wall mount switch

Kit Components

This kit is supplied with the following components:

- 1 x NOVA Voyager Receiver
- 1 x NOVA Single button Transmitter
- 1 x NOVA Four button Transmitter
- 1 x Cable tie (for attaching receiver to outside of garage door operator)

The four button transmitter has been supplied for operating the door motor from typically inside the motor vehicle with the single button transmitter acting as a fixed wall switch control mounted inside the garage.

The four buttons provided on the motor vehicle remote allows the operation of not only the door motor, but also other home automation and security devices such as the gate motor, outside lighting and alarm from this single remote.

By simply adding a NOVA receiver to each of these other devices you can upgrade them to operate using NOVA's high security remote control technology.

The innovative transmitter body clip allows easy mounting of the single button remote against the wall on the inside of the garage, for convenient operation of the door motor only.

The NOVA VOYAGER Receiver

The Nova Voyager is a plug-in receiver designed for use with Centurion Gate Operators but it is also available with a modified wiring harness, allowing connection to various makes of gate and garage door operators subject to the following.

The voltage supply to the receiver must be between 12-14V DC. The trigger output of the VOYAGER receiver is an open collector transistor drive. When attempting to use with other than CENTURION makes or types of operators, please ensure that when activating the trigger input of the controller it must be shorted to negative. However to be certain please contact CENTURION to verify that your operator is compatible with VOYAGER.

This instruction leaflet deals with the connections to the following operators:

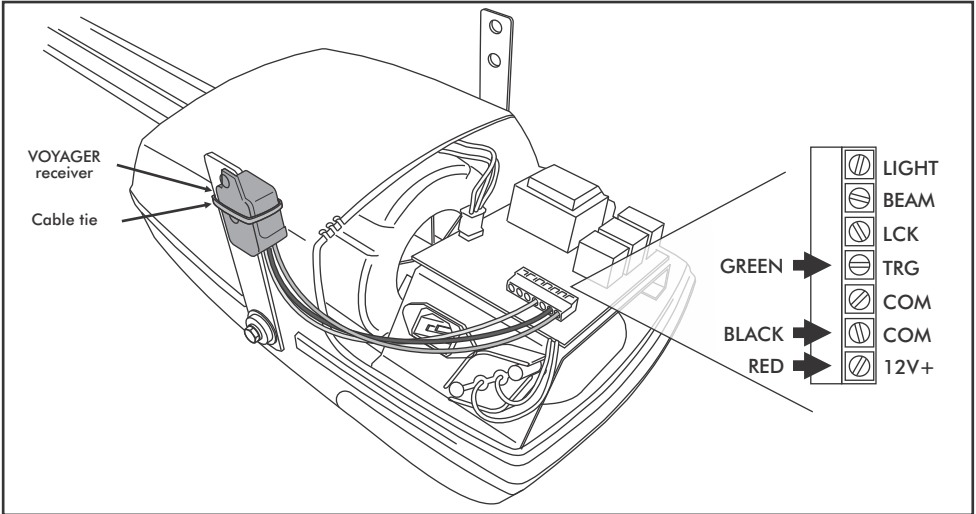
- PRO-ALPHA Garage Door operators
- SUPERLIFT Garage Door operators

A major feature of the VOYAGER receiver is the "Master Transmitter" learning system, which allows new transmitters to be added to the system without having to access the electronics. There is no longer a "LEARN" jumper provided on the receiver, all learning of transmitters is done using the MASTER Transmitter.

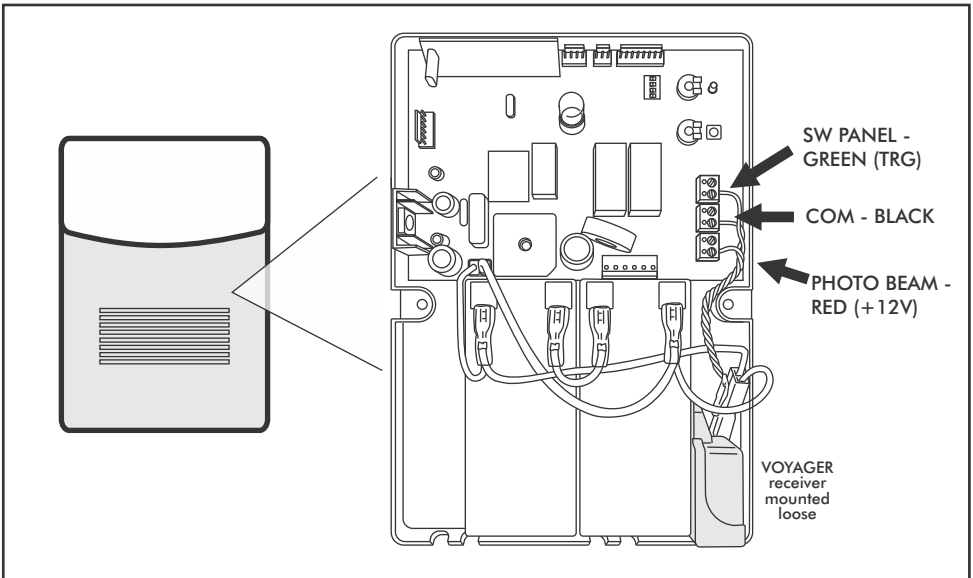
Wiring and Mounting Details

The VOYAGER is available with a small plastic protective housing for use with non Centurion operators.

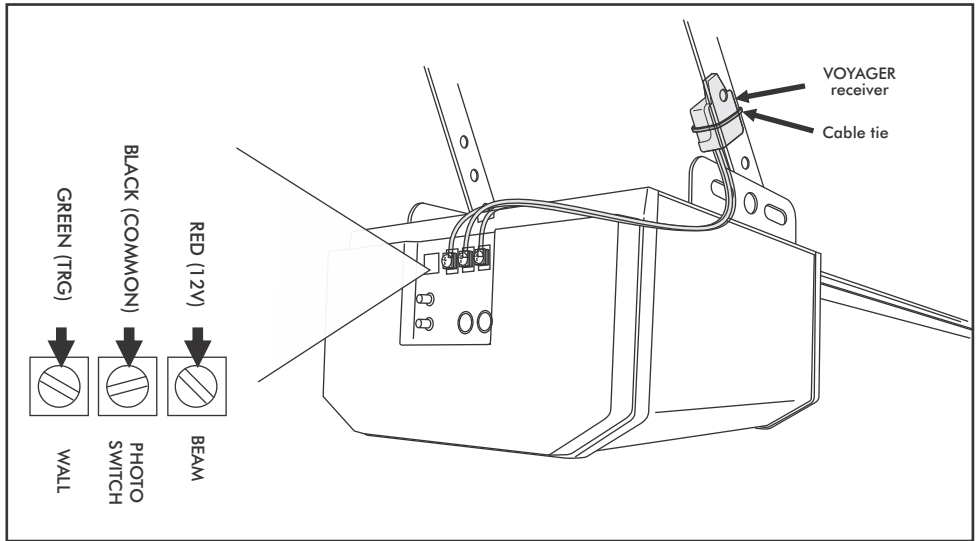
PRO-ALPHA SECTIONAL/TIP-UP/PRO ROLA



SUPERLIFT ROLL-UP WITH BATTERY BACK-UP



SUPERLIFT SECTIONAL/TIP-UP



Self Learning Memory Capability

(36 Transmitter Buttons)

It is important to note that the self learning memory of the VOYAGER receiver is limited to 36 transmitter buttons (including MASTER Transmitter)

In other words if only one button of a transmitter is coded into the receiver, the receiver can accommodate 36 transmitters.

However if more than one button on a multi button transmitter is coded into the unit, where each button will take up a memory space, the number of transmitters that can be coded will be limited accordingly.

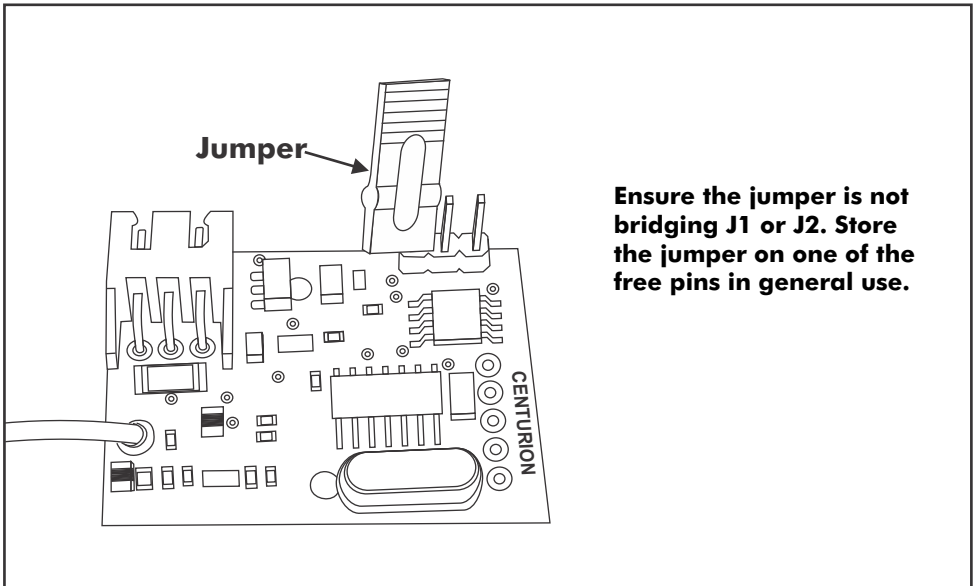
It is also important to note that when the memory limit is reached, trying to add new transmitters will not overwrite or affect the existing units stored into the system. It will just not be possible to code the additional transmitters.

1. Learning the MASTER REMOTE

(Applicable to NEW or ERASED units)

The first transmitter that is learned into the receiver with a completely clear (erased) memory becomes the MASTER transmitter.

- a. With power connected to the Voyager, press and hold any Nova Transmitter button down for at least five seconds. The RED LED will light up, and a trigger signal will be sent to the gate, indicating that the button has been learned into memory.
- b. This remote is now the MASTER REMOTE, and will be required whenever new transmitters are to be added to memory. Mark the MASTER REMOTE clearly, as it will be required when learning additional buttons.



NB. ENSURE THE JUMPER DOES NOT BRIDGE J1 OR J2 WHEN ATTEMPTING TO LEARN THE MASTER REMOTE

2. Learning additional buttons

- a. Press any button on the MASTER REMOTE for at least 10 flashes of the RED LED. If the receiver is not visible, count at least 10 seconds. After at least 10 seconds, release the button. (The receiver will not enter learn mode if the button is pressed for more than 20 seconds.) The receiver is now in LEARN mode, and will remain so for 10 seconds. The RED LED will remain on during this time.
- b. Any Nova button pressed during this time will be learned into memory. Each time a button is pressed, the learn time is extended for another 10 seconds.
- c. 10 seconds after the last button is pressed, the RED LED will turn off, indicating that the receiver has exited learn mode.

3. Erasing the Memory

- a. Link jumper J1 or J2.
- b. The RED LED will flash 11 times. Removing the link during this time will cancel the erase operation.
- c. After 11 flashes, the RED LED will remain on. Removing the link now will completely erase the memory.

4. I've lost the MASTER REMOTE

- a. The MASTER REMOTE can be identified by looking at the RED LED when pressing any button on the MASTER REMOTE. The RED LED will give one long flash and then one SHORT flash when the MASTER REMOTE is used.
- b. If the MASTER REMOTE is lost, the only way to add more remotes is to first ERASE the memory, and then add a new MASTER. Unfortunately, all existing buttons will need to be re-learned.

Mounting the Wall Mount Switch

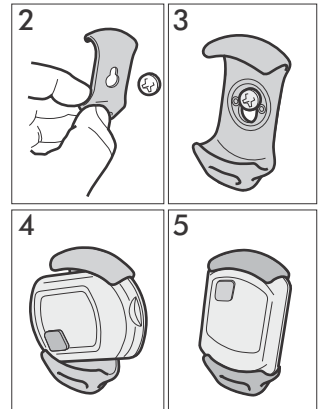
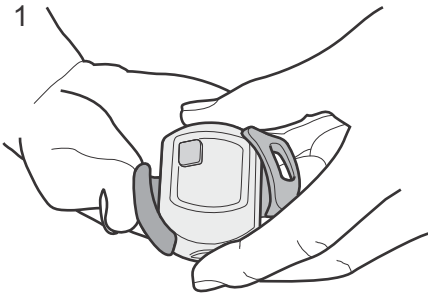
The single button NOVA transmitter is used as the wall mount switch.

Rotate the transmitter inside the body clip until the two parts can be separated.

Screw the body clip against the wall at a convenient operating height and position.

Insert the transmitter into the clip and rotate back into position. Follow the procedure above to programme transmitter.

NB: It will be necessary to replace the battery from time to time (typical battery life 18 months) to ensure reliable operation of the garage door motor from this switch.



Notes

Notes

Lined area for writing notes.



Notes

10/16/2

A series of horizontal dotted lines for writing notes.



Notes

Notes

Lined area for writing notes, consisting of horizontal dotted lines.





Sharecall 0860-CENTURION (0860 236 887)
Head Office: +27 11 699 2400

Sharecall Technical Support 0861 003 123 or
+27 11 699 2481
from 07h00 to 18h00 (GMT+2)

(Sharecall numbers applicable when dialed from within South Africa only)



0.07.A.0111_22072013

www.centsys.com