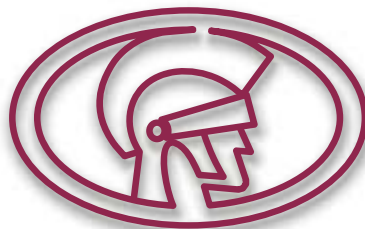
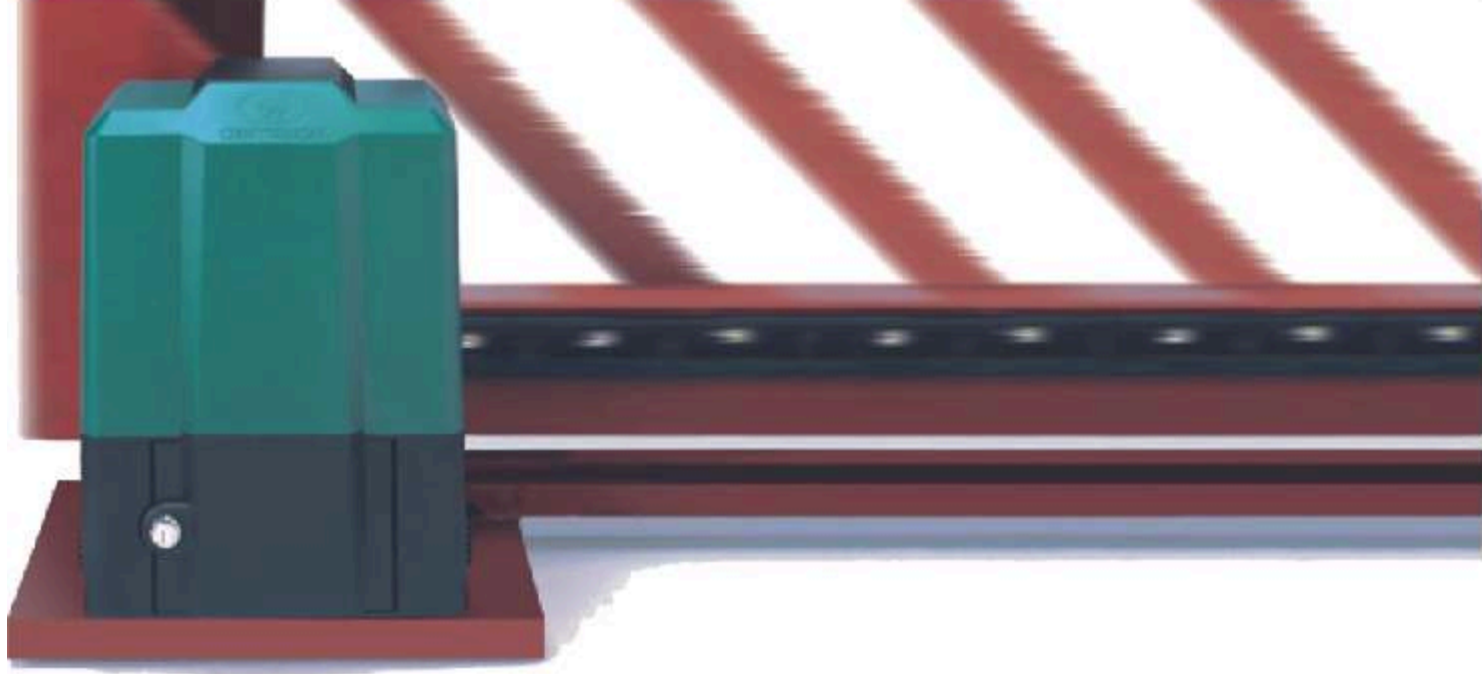


# THOROUGHBRED SLIDING GATE OPERATORS



**CENTURION**  
THE AUTOMATIC CHOICE



*Centurion's range of remote transmitters control a wide range of features - including pillar lights and holiday lock-out - with one small unit.*



### Hi-tech

The polymer used in the manufacture gives a 20-year life. The gearbox is made from advanced engineering materials for corrosion-free strength and durability.

### Elegant styling

Designed to be unobtrusive and durable; the smooth contoured case is injection-moulded.

### 200,000 safety decisions per second

A RISC (Reduced Instruction Set Chip) micro controller evaluates the position, speed and any resistance the gate may encounter. The single processor reduces the number of components and increases the reliability of the electronic controller.

### Revolutionary position and speed control

Innovative DOSS (Digital Origin Seeking System) constantly monitors the speed and position of the gate to provide safe and reliable anti-crushing protection and pin-point stopping - without mechanical switches.

*UV retardant cover secured by lockable door.*

*Cooling vent for A5 FAN units.*

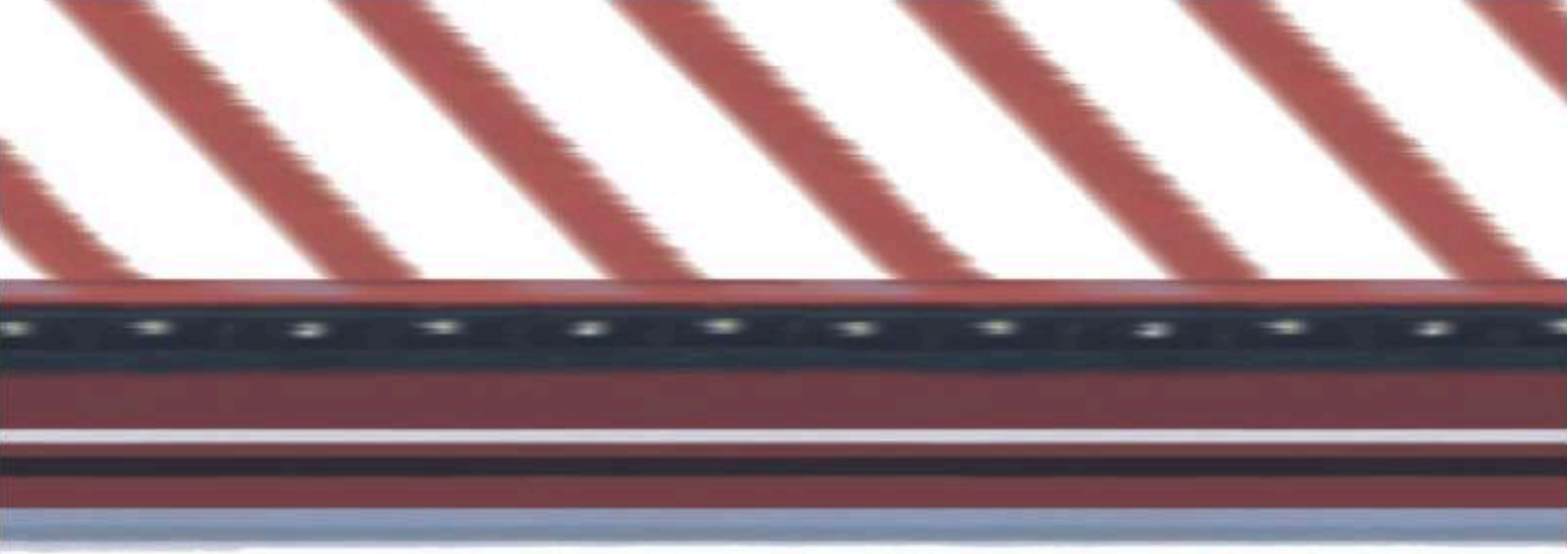
*Injection-moulded high-strength polymer casing.*

*Manual over-ride thumbwheel.*

*Lockable access door.*



**CENTURION**  
THE AUTOMATED



### Advanced lightning protection

The reliability of the system is enhanced with proven surge protection, reducing the risk of failures due to lightning and power spikes.

### Precision components

A robust lubricated gearset ensures extended life and secure locking.

### Double security

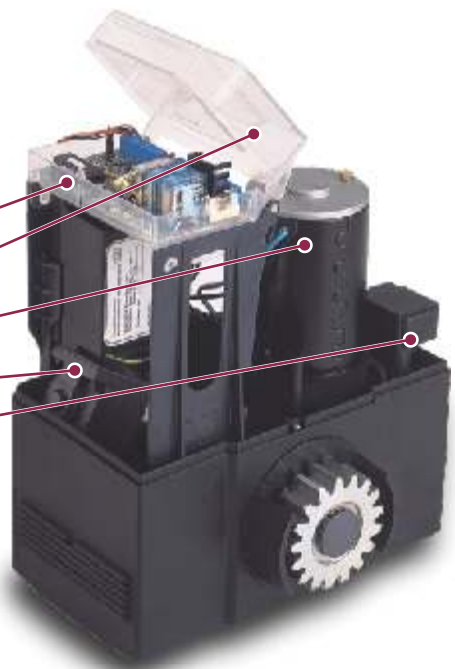
A lockable door prevents the cover from being removed and secures the manual override mechanism. The electronics is housed inside a dust protected enclosure with convenient flap open lid, under the main cover.

### Uninterrupted operation

Both the traditional 220V mains driven unit and a 12V DC system for uninterrupted operation, with battery back-up, are available.

### Dependable service

Centurion's products are marketed through an extensive network of qualified installers. The equipment is manufactured to the ISO9001 quality standard and is CE certified.



*Dust protected electronics compartment.*

*Convenient flap open lid.*

*12V DC (D3/D5) or 220V AC motor (A5).*

*DOSS (Digital Origin Seeking System).*

*Gate referenced origin sensor.*



# CENTURION

THE AUTOMATIC CHOICE

# SPECIFICATIONS

## FEATURES

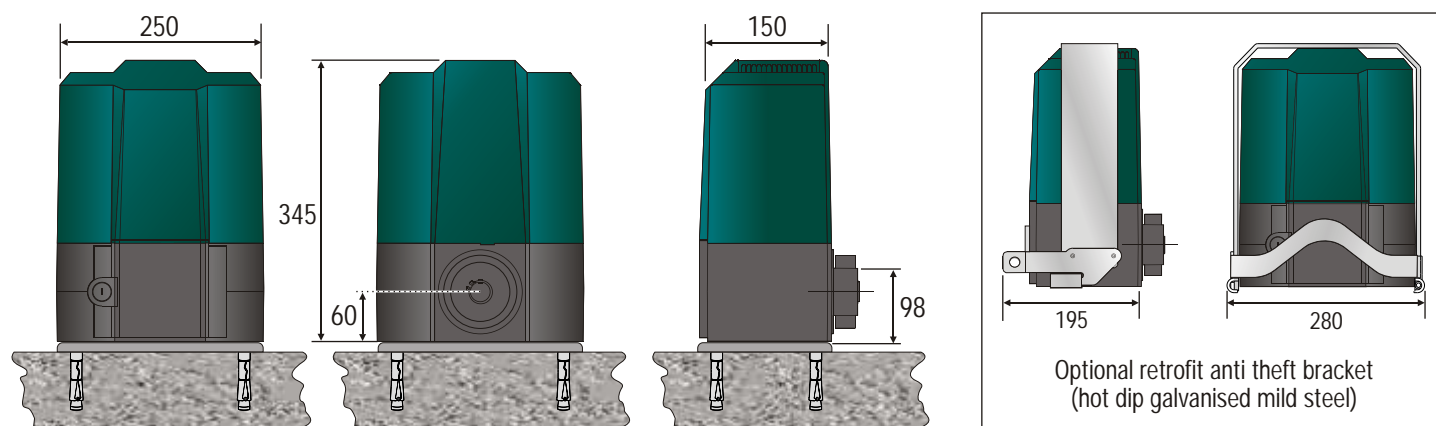
- Multiple programme modes: standard, reversing, condominium, PIRAC.
- Selectable automatic closing with pushbutton override (adjustable time).
- Selectable positive closing (D3/D5 only).

### Optional auxiliaries

- Pedestrian opening (adjustable opening and auto-close time).
- Remote gate status indicator (gate position, mains failure detection†, battery low indication† and multiple collision detection) (†D3/D5 only).
- Courtesy light timer with multi-mode pre-flashing option (adjustable time).
- Safety beam input.
- Holiday lock-out.
- Free exit facility.

Technical Data	A5	D5	D3
Power supply <sup>1</sup>	220V +/- 10%, 50Hz <sup>1</sup>	220V +/- 10%, 50Hz <sup>2</sup>	220V +/- 10%, 50Hz <sup>2</sup>
Maximum absorbed current	3A	160mA battery charger <sup>4</sup>	160mA battery charger <sup>4</sup>
Motor voltage	220V AC	12V DC	12V DC
Starting thrust	22kgF	60kgF	35kgF
Rated thrust	50kgF	20kgF	12kgF
Operating speed at rated thrust	16m/min	16m/min	15m/min
Duty cycle	20% (70% Fan)	50% (at thrust less than 10kgF) <sup>3</sup>	20%
Operating temperature range	-20 - +50°C	-10 - +50°C	-10 - +50°C
Anti-crushing sensing	Mechanical clutch/electronic	Electronic only	Electronic only
Mass of unit (packed)	13,0kg	13,5kg (inc. 7A/H battery)	12,0kg (inc. 7A/H battery)
Maximum gate mass	500kg	500kg	300kg

(1) Other voltage options available. (2) Alternative source of supply is a solar charger. (3) Unit fitted with power pack (PSU). (4) Power draw is shown with CP84E power supply unit fitted on 220V AC supply.



**CENTURION**  
THE AUTOMATIC CHOICE

E&OE Centurion Systems (Pty) Ltd reserves the right to change products or specifications without prior notice.

CENTURION SYSTEMS (Pty) Ltd  
148 Epsom Avenue, North Riding,  
Randburg, South Africa  
Tel: +27 (0)11 699-2400  
Fax: +27(0)11 704-3412 or  
+27(0)11 462-6669 (Sales)

www.centsys.co.za