

A10 Slider Theft Resistant Cage

Parts Identification

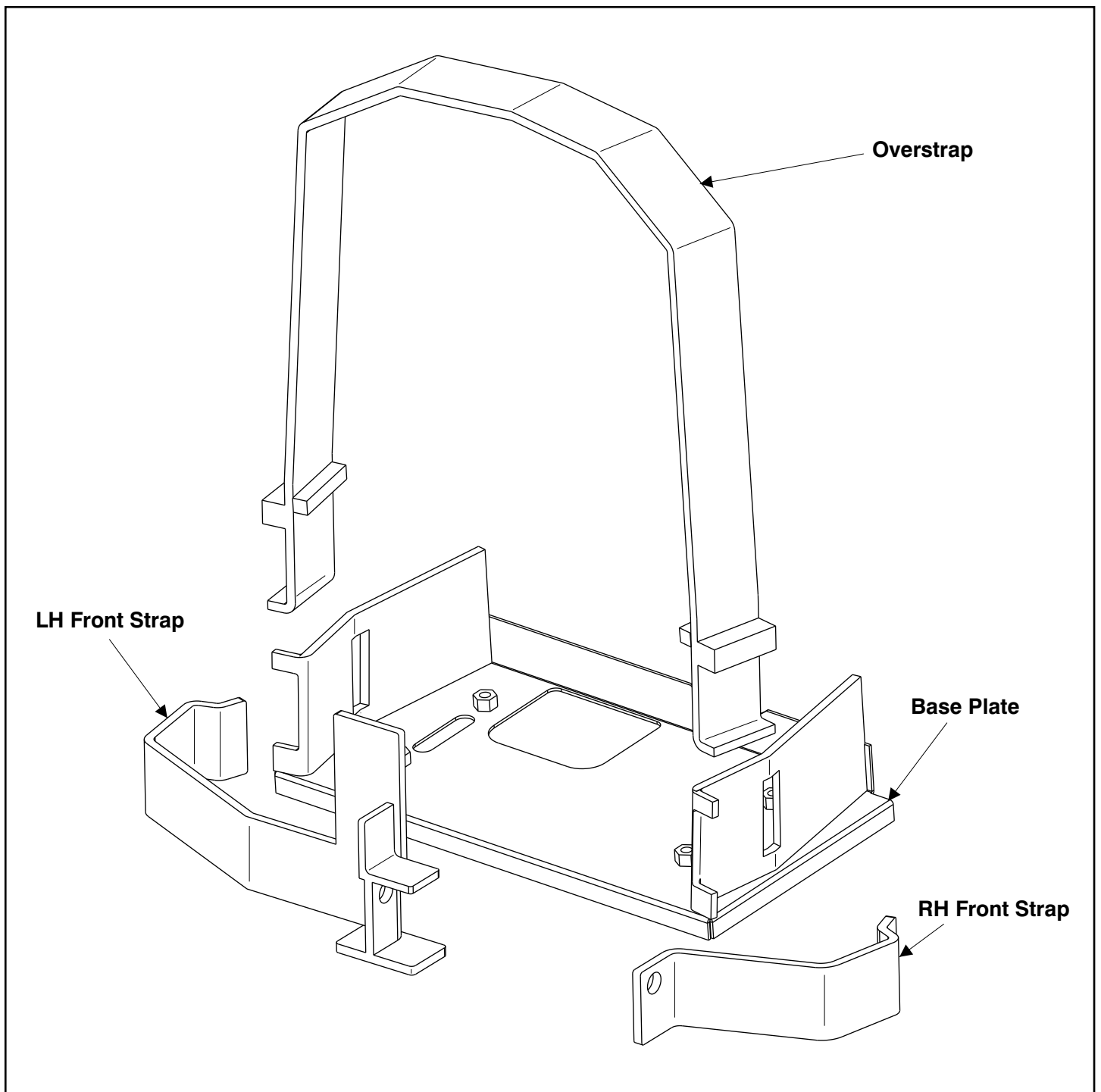
INTRODUCTION

The CENTURION theft resistant cage is designed to significantly reduce the risk of an intruder gaining access to the operators manual release, and increases the resistance of the unit against theft.

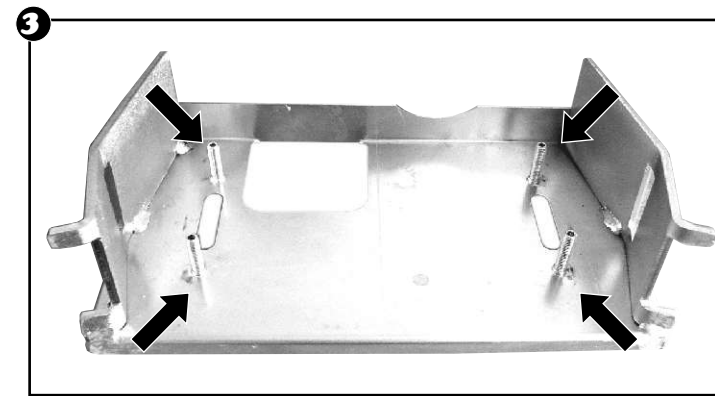
It is important that the bracket is properly fitted, as per the instructions given and that a suitable lock is fitted.

DISCLAIMER

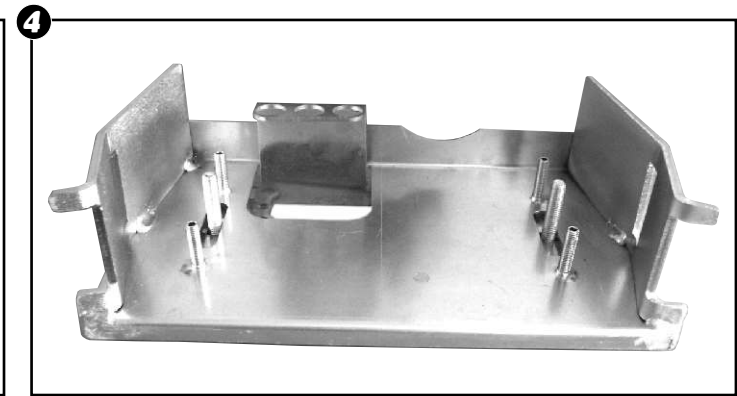
CENTURION SYSTEMS cannot be held liable under any circumstances for any damage, loss or action that results from the cage being forced open or tampered with.



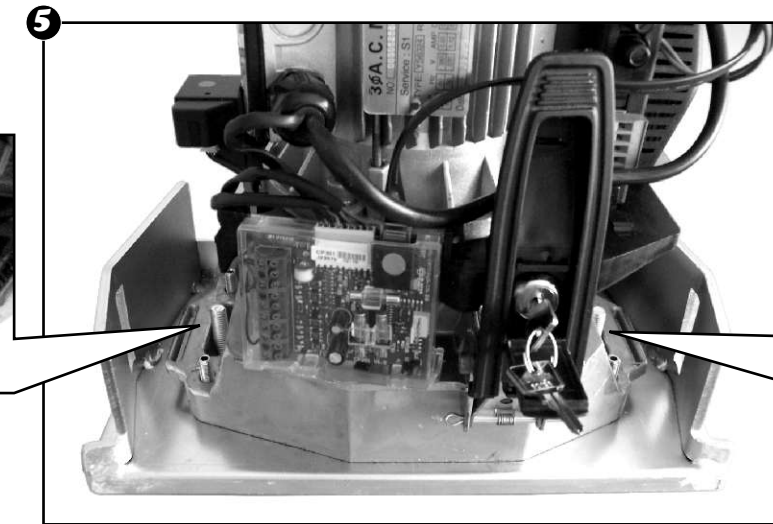
Installation Instructions



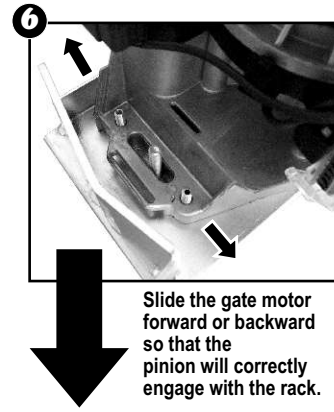
3 Screw the four M8x40 socket head grub screws supplied with A10 into the threaded holes in the base plate.



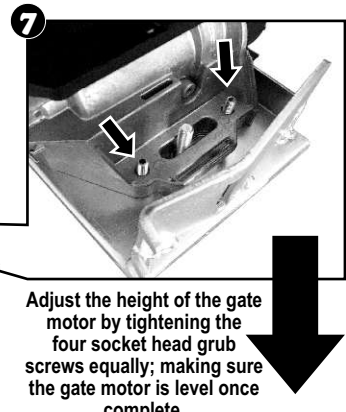
4 Place the base plate over the foundation plate.



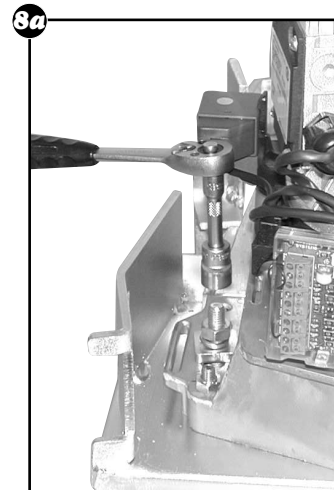
5 Place the A10 gate motor over the base plate, making sure that the four grub screws and two mounting bolts from the foundation plate fit through the gate motor as shown.



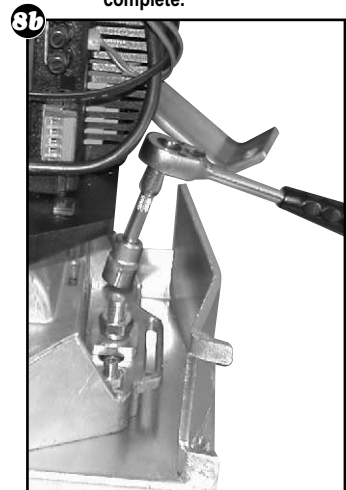
6 Slide the gate motor forward or backward so that the pinion will correctly engage with the rack.



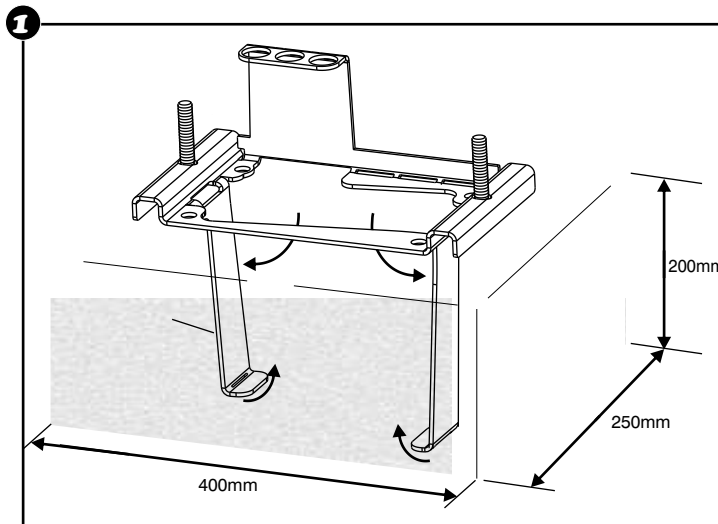
7 Adjust the height of the gate motor by tightening the four socket head grub screws equally; making sure the gate motor is level once complete.



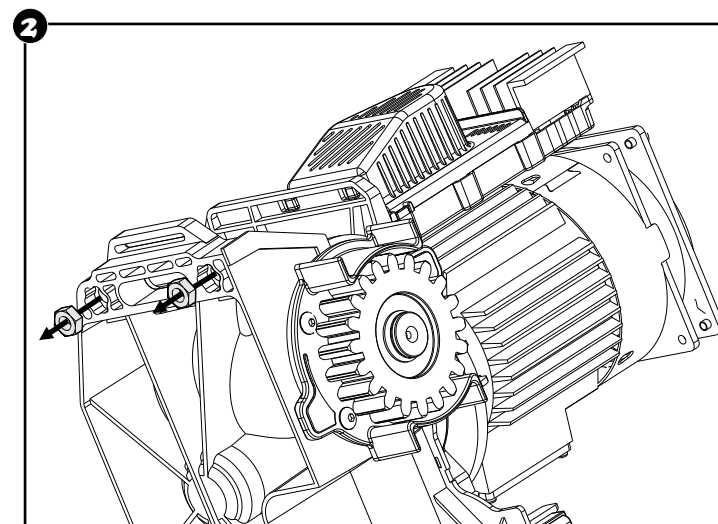
8a Assemble nut, spring washer, and load spreader onto the mounting bolts.



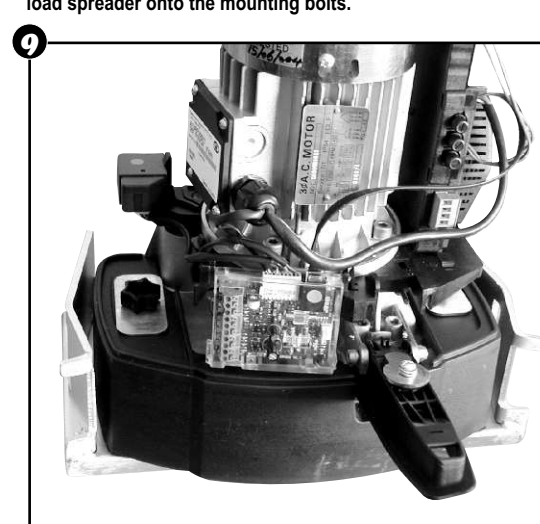
8b Tighten nuts progressively i.e. left hand, then right hand, then left hand. Do not over tighten nuts.



1 Ensure that the foundation plate has been properly installed. Refer to the Installation Manual for details.



2 Remove all four captive nuts from the underside of the gearbox as shown. These are no longer required, as the threaded holes in the cage baseplate serve for height adjustment.



9 Replace the lower gear box cover.



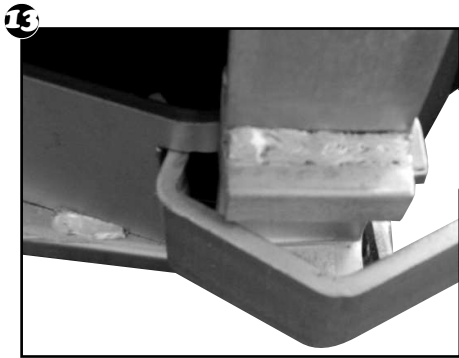
10 Replace the main gear box cover.



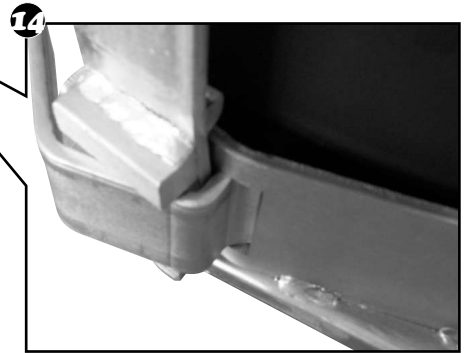
11 Fit the over strap over the gate motor. The over strap will only fit one way.



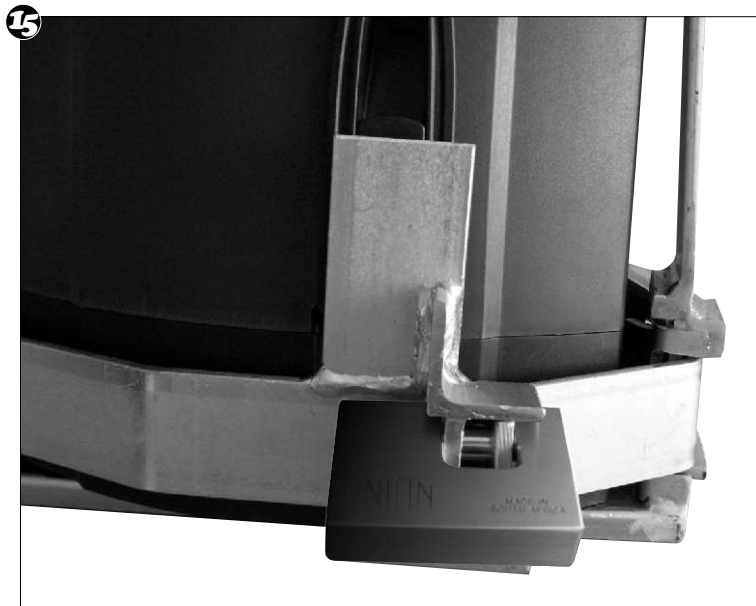
Assemble the left hand and right hand side straps to the base plate.



Hook the left hand side strap into the vertical slot provided in the left side of the base plate.



Hook the right hand side strap into the vertical slot provided in the right side of the base plate.



Finally, secure the cage by locking the left and right hand side straps together. A padlock with a 13mm diameter pin and 25mm "throat" is recommended, (often referred to as a "78mm" lock).



CENTURION

THE AUTOMATIC CHOICE

E&OE Centurion Systems (Pty) Ltd reserves the right to change products or specifications without prior notice.

CENTURION SYSTEMS (Pty) Ltd
148 Epsom Avenue, North Riding, Randburg, South Africa
Tel: +27 (0)11-699-2400 Fax: +27(0)11-704-3412 or +27(0)11-462-6669 (Sales)
(Omit (0) when dialing from outside South Africa)

www.centsys.co.za