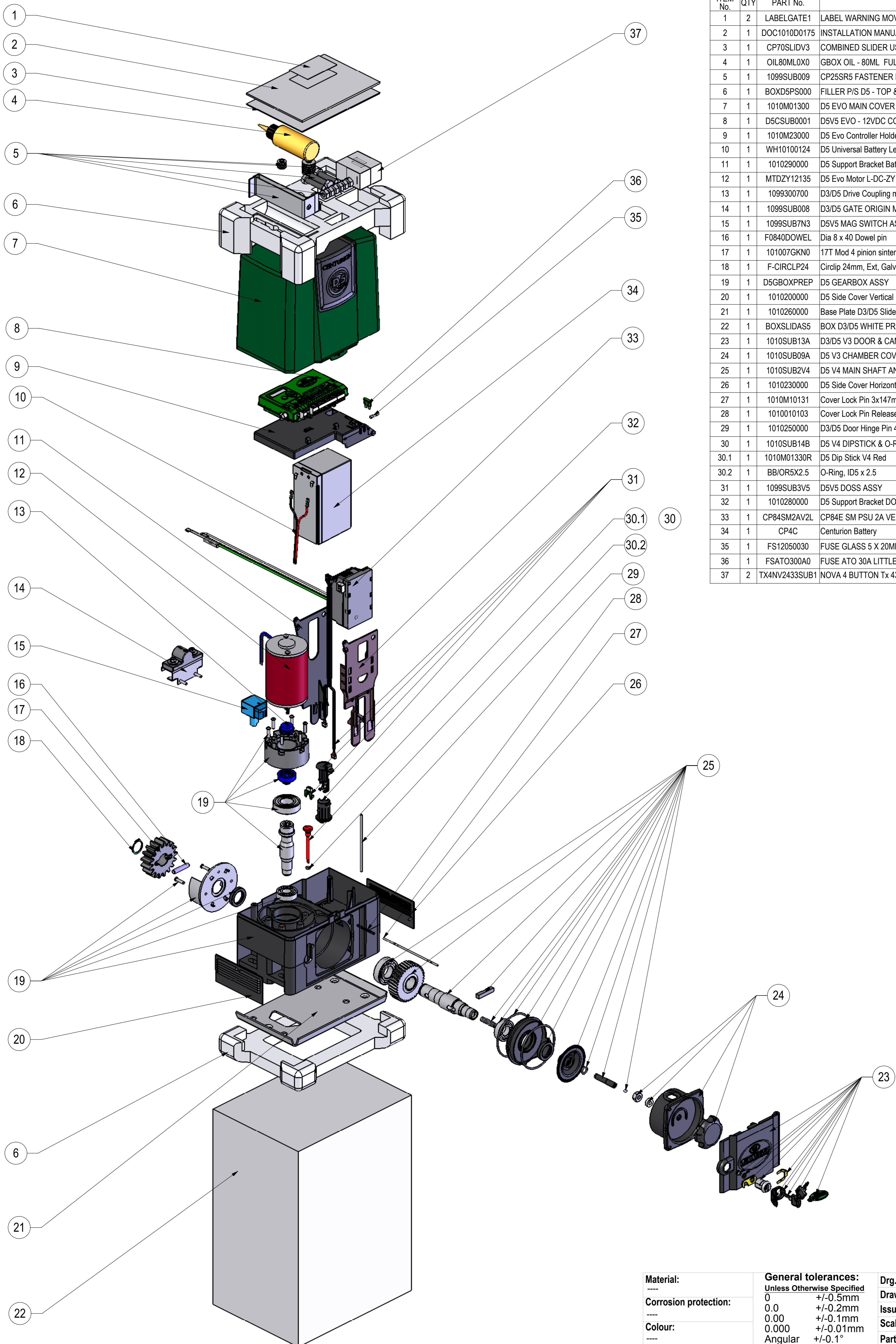


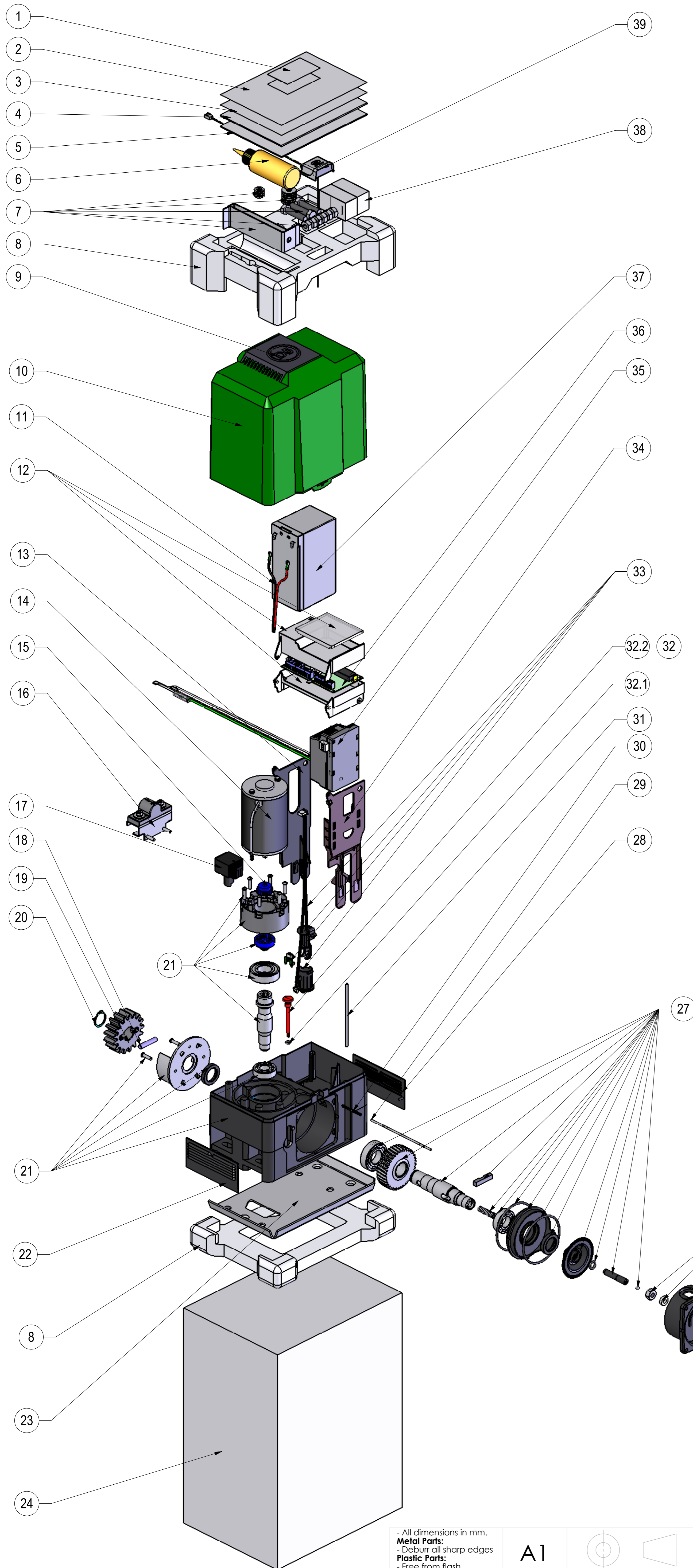
D5V5 EVO SPECIAL KIT TYPE B (EXCL BATT) - D5RSPCLB05



ITEM No.	QTY	PART No.	TITLE
1	2	LABELGATE1	LABEL WARNING MOVING GATE 80X50mm
2	1	DOC1010D0175	INSTALLATION MANUAL D5 EVO
3	1	CP70SLIDV3	COMBINED SLIDER USER GUIDE V3
4	1	OIL80ML0X0	GBOX OIL - 80ML FULL SYNTH. EP F/DR MRM
5	1	1099SUB009	CP25SR5 FASTENER KIT
6	1	BOXD5PS000	FILLER P/S D5 - TOP & BOTTOM
7	1	1010M01300	D5 EVO MAIN COVER C/W HF VENT COVER
8	1	D5CSUB0001	D5V5 EVO - 12VDC CONTR. ASSY V1.0
9	1	1010M23000	D5 Evo Controller Holder
10	1	WH10100124	D5 Universal Battery Lead 200mm X 2.5mm
11	1	1010290000	D5 Support Bracket Batt Side
12	1	MTDZY12135	D5 Evo Motor L-DC-ZY12-135 EJOT Type
13	1	1099300700	D3/D5 Drive Coupling motor side
14	1	1099SUB008	D3/D5 GATE ORIGIN MAGNET MOUNTING KIT
15	1	1099SUB7N3	D5V5 MAG SWITCH ASSY V1-BLUE HOUSING
16	1	F0840DOWEL	Dia 8 x 40 Dowel pin
17	1	101007GKNO	17T Mod 4 pinion sintered D5 Slider
18	1	F-CIRCLP24	Circlip 24mm, Ext, Galv
19	1	D5GBOXPREP	D5 GEARBOX ASSY
20	1	1010200000	D5 Side Cover Vertical
21	1	1010260000	Base Plate D3/D5 Slider
22	1	BOXSLIDASS5	BOX D3/D5 WHITE PRINTED PANTONE 348U
23	1	1010SUB13A	D3/D5 V3 DOOR & CAMLOCK ASSY
24	1	1010SUB09A	D5 V3 CHAMBER COVER + NUT + SEAL ASSY
25	1	1010SUB2V4	D5 V4 MAIN SHAFT AND DRIVE KEY ASSY
26	1	1010230000	D5 Side Cover Horizontal
27	1	1010M10131	Cover Lock Pin 3x147mm V3 Red
28	1	1010010103	Cover Lock Pin Release Spring (Series 5)
29	1	1010250000	D3/D5 Door Hinge Pin 4x125mm 304 SS
30	1	1010SUB14B	D5 V4 DIPSTICK & O-RING ASSY(RED)
30.1	1	1010M01330R	D5 Dip Stick V4 Red
30.2	1	BB/OR5X2.5	O-Ring, ID5 x 2.5
31	1	1099SUB3V5	D5V5 DOSS ASSY
32	1	1010280000	D5 Support Bracket DOSS Side
33	1	CP84SM2AV2L	CP84E SM PSU 2A VERSION 2 PROD SUB ASSY
34	1	CP4C	Centurion Battery
35	1	FS12050030	FUSE GLASS 5 X 20MM F/B 3.15 A
36	1	FSATO300A0	FUSE ATO 30A LITTLEFUSE 0257030-PXPV
37	2	TX4NV2433SUB1	NOVA 4 BUTTON Tx 433MHz V2 For Sub-Assy

Material: ----	General tolerances: Unless Otherwise Specified	Drg. mass: ---- g
Corrosion protection: ----	0 +/-0.5mm	Drawn by: G.R.
Colour: ----	0.0 +/-0.2mm	Issued: 4/11/2008
	0.00 +/-0.1mm	Scale: Not to any Scale
	0.000 +/-0.01mm	Part No: D5RSPCLB05
	Angular +/-0.1°	

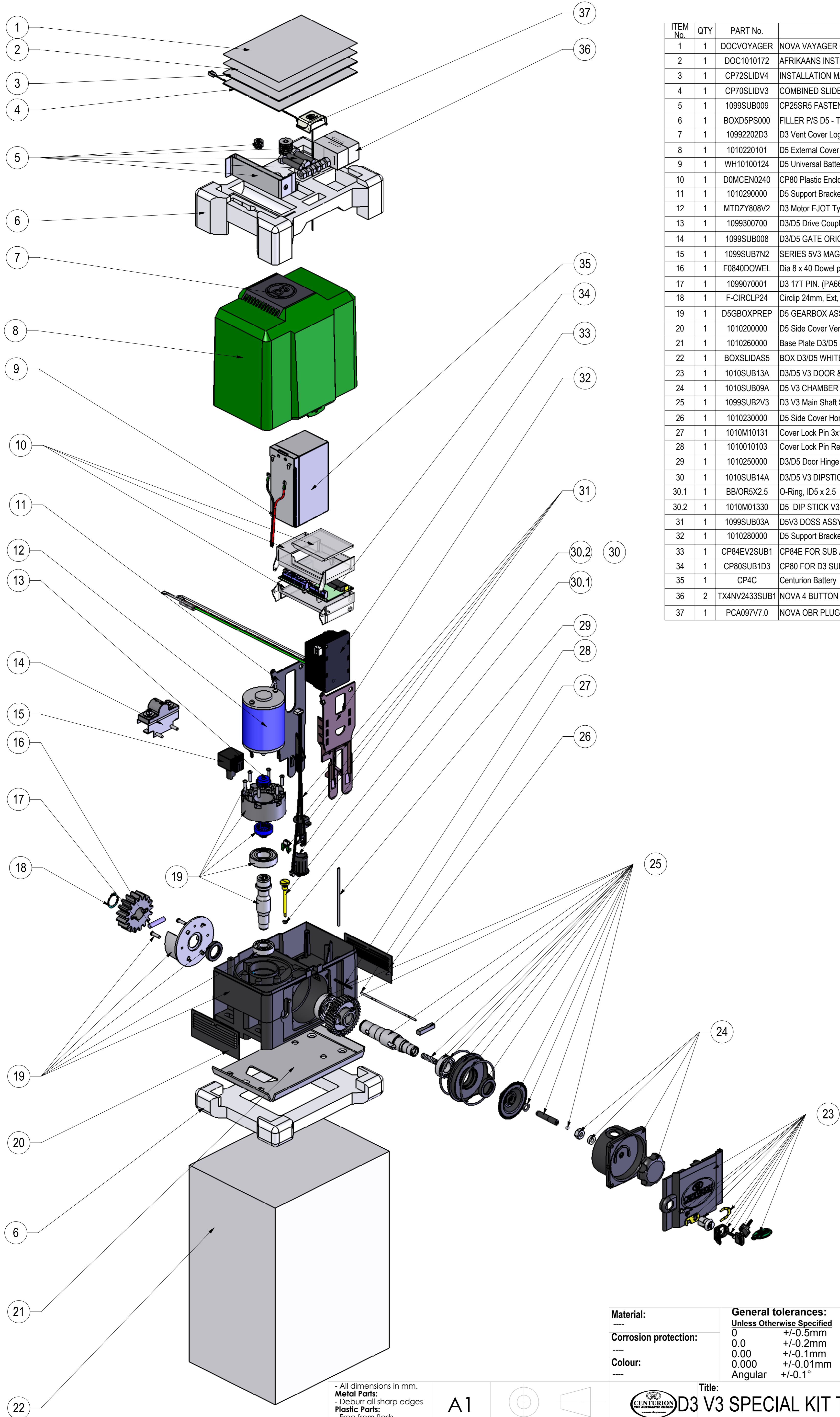
D5 V4 SPECIAL KIT TYPE B (EXCL BATTERY) - D5RSPCLB04



ITEM No.	QTY	PART No.	TITLE
1	2	LABELGATE1	LABEL WARNING MOVING GATE 80X50mm
2	1	DOCVOYAGER	NOVA VAYAGER OPERATE INS
3	1	DOC1010172	AFRIKAANS INSTRUCTION SHEET
4	1	CP72SLIDV4	INSTALLATION MANUAL D3 D5 SLIDERS V4
5	1	CP70SLIDV3	COMBINED SLIDER USER GUIDE V3
6	1	OIL80ML0X0	GBOX OIL - 80ML FULL SYNTH. EP F/DR MRM
7	1	1099SUB009	CP25SR5 FASTENER KIT
8	1	BOXD5PS000	FILLER P/S D5 - TOP & BOTTOM
9	1	10102202D5	D5 Vent Cover Logo
10	1	1010220101	D5 External Cover V2
11	1	WH10100124	D5 Universal Battery Lead 200mm X 2.5mm
12	1	D0MCEN0240	CP80 Plastic Enclosure Kit
13	1	1010290000	D5 Support Bracket Batt Side
14	1	MTDZY800V2	D5 motor EJOT Type
15	1	1099300700	D3/D5 Drive Coupling motor side
16	1	1099SUB008	D3/D5 GATE ORIGIN MAGNET MOUNTING KIT
17	1	1099SUB7N2	SERIES 5V3 MAG SWITCH ASSY (SMT TYPE)
18	1	F0840DOWEL	Dia 8 x 40 Dowel pin
19	1	101007GKNO	17T Mod 4 pinion sintered D5 Slider
20	1	F-CIRCLP24	Circlip 24mm, Ext, Galv
21	1	D5GBOXPREP	D5 GEARBOX ASSY
22	1	1010200000	D5 Side Cover Vertical
23	1	1010260000	Base Plate D3/D5 Slider
24	1	BOXSLIDAS5	BOX D3/D5 WHITE PRINTED PANTONE 348U
25	1	1010SUB13A	D3/D5 V3 DOOR & CAMLOCK ASSY
26	1	1010SUB09A	D5 V3 CHAMBER COVER + NUT + SEAL ASSY
27	1	1010SUB2V4	D5 V4 MAIN SHAFT AND DRIVE KEY ASSY
28	1	1010230000	D5 Side Cover Horizontal
29	1	1010M10131	Cover Lock Pin 3x147mm V3 Red
30	1	1010010103	Cover Lock Pin Release Spring (Series 5)
31	1	1010250000	D3/D5 Door Hinge Pin 4x125mm 304 SS
32	1	1010SUB14B	D5 V4 DIPSTICK & O-RING ASSY(RED)
32.1	1	BB/OR5X2.5	O-Ring, ID5 x 2.5
32.2	1	1010M01330R	D5 Dip Stick V4 Red
33	1	1099SUB03A	D5V3 DOSS ASSY
34	1	1010280000	D5 Support Bracket DOSS Side
35	1	CP84SM2AL	CP84E SM PSU 2A VERSION 1 PROD SUB ASSY
36	1	CP80SUB1D5	CP80 FOR D5 SUB-ASSY- QTP TYPE
37	1	CP4C	Centurion Battery
38	2	TX4NV2433SUB1	NOVA 4 BUTTON Tx 433MHz V2 For Sub-Assy
39	1	PCA097V7.0	NOVA OBR PLUG IN RX V1 PCB ASSY

Material: ----	General tolerances: Unless Otherwise Specified	Drg. mass: ---- g
Corrosion protection: ----	0 +/-0.5mm	Drawn by: G.R.
	0.0 +/-0.2mm	Issued: 4/11/2008
	0.00 +/-0.1mm	Scale: Not to any Scale
Colour: ----	0.000 +/-0.01mm	Part No: D5RSPCLB04
	Angular +/-0.1°	

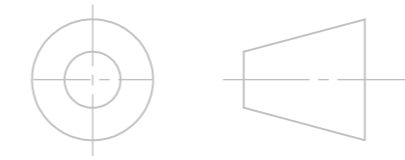
D3 V3 SPECIAL KIT TYPE B - EXCL BATT - D3RSPCLB03



ITEM No.	QTY	PART No.	TITLE
1	1	DOCVOYAGER	NOVA VAYAGER OPERATE INS
2	1	DOC1010172	AFRIKAANS INSTRUCTION SHEET
3	1	CP72SLIDV4	INSTALLATION MANUAL D3 D5 SLIDERS V4
4	1	CP70SLIDV3	COMBINED SLIDER USER GUIDE V3
5	1	1099SUB009	CP25SR5 FASTENER KIT
6	1	BOXD5PS000	FILLER P/S D5 - TOP & BOTTOM
7	1	10992202D3	D3 Vent Cover Logo
8	1	1010220101	D5 External Cover V2
9	1	WH10100124	D5 Universal Battery Lead 200mm X 2.5mm
10	1	DOMCEN0240	CP80 Plastic Enclosure Kit
11	1	1010290000	D5 Support Bracket Batt Side
12	1	MTDZY808V2	D3 Motor EJOT Type
13	1	1099300700	D3/D5 Drive Coupling motor side
14	1	1099SUB008	D3/D5 GATE ORIGIN MAGNET MOUNTING KIT
15	1	1099SUB7N2	SERIES 5V3 MAG SWITCH ASSY (SMT TYPE)
16	1	F0840DOWEL	Dia 8 x 40 Dowel pin
17	1	1099070001	D3 17T PIN. (PA66) 8mm RAD K
18	1	F-CIRCLP24	Circlip 24mm, Ext, Galv
19	1	D5GBOXPREP	D5 GEARBOX ASSY
20	1	1010200000	D5 Side Cover Vertical
21	1	1010260000	Base Plate D3/D5 Slider
22	1	BOXSLIDAS5	BOX D3/D5 WHITE PRINTED PANTONE 348U
23	1	1010SUB13A	D3/D5 V3 DOOR & CAMLOCK ASSY
24	1	1010SUB09A	D5 V3 CHAMBER COVER + NUT + SEAL ASSY
25	1	1099SUB2V3	D3 V3 Main Shaft Sub-Assy
26	1	1010230000	D5 Side Cover Horizontal
27	1	1010M10131	Cover Lock Pin 3x147mm V3 Red
28	1	1010010103	Cover Lock Pin Release Spring (Series 5)
29	1	1010250000	D3/D5 Door Hinge Pin 4x125mm 304 SS
30	1	1010SUB14A	D3/D5 V3 DIPSTICK & O-RING ASSY (YELLOW)
30.1	1	BB/OR5X2.5	O-Ring, ID5 x 2.5
30.2	1	1010M01330	D5 DIP STICK V3 YELLOW
31	1	1099SUB03A	D5V3 DOSS ASSY
32	1	1010280000	D5 Support Bracket DOSS Side
33	1	CP84EV2SUB1	CP84E FOR SUB ASSY - LONG HARNESS
34	1	CP80SUB1D3	CP80 FOR D3 SUB ASSY- QTP TYPE
35	1	CP4C	Centurion Battery
36	2	TX4NV2433SUB1	NOVA 4 BUTTON Tx 433MHz V2 For Sub-Assy
37	1	PCA097V7.0	NOVA OBR PLUG IN RX V1 PCB ASSY

- All dimensions in mm.
Metal Parts:
 - Debur all sharp edges
Plastic Parts:
 - Free from flash

A1



Title: **D3 V3 SPECIAL KIT TYPE B - EXCL BATT**

THE INFORMATION CONTAINED IN THIS DRAWING IS THE SOLE PROPERTY OF CENTURION SYSTEMS ANY REPRODUCTION IN PART OR WHOLE WITHOUT THE WRITTEN PERMISSION OF CENTURION SYSTEMS IS PROHIBITED

Tel: (011) 699-2400
 Fax: (011) 704-3412

Sheet No: **3 of 8**

Drq. No: **1010.M.01.00**

Rev: **0**

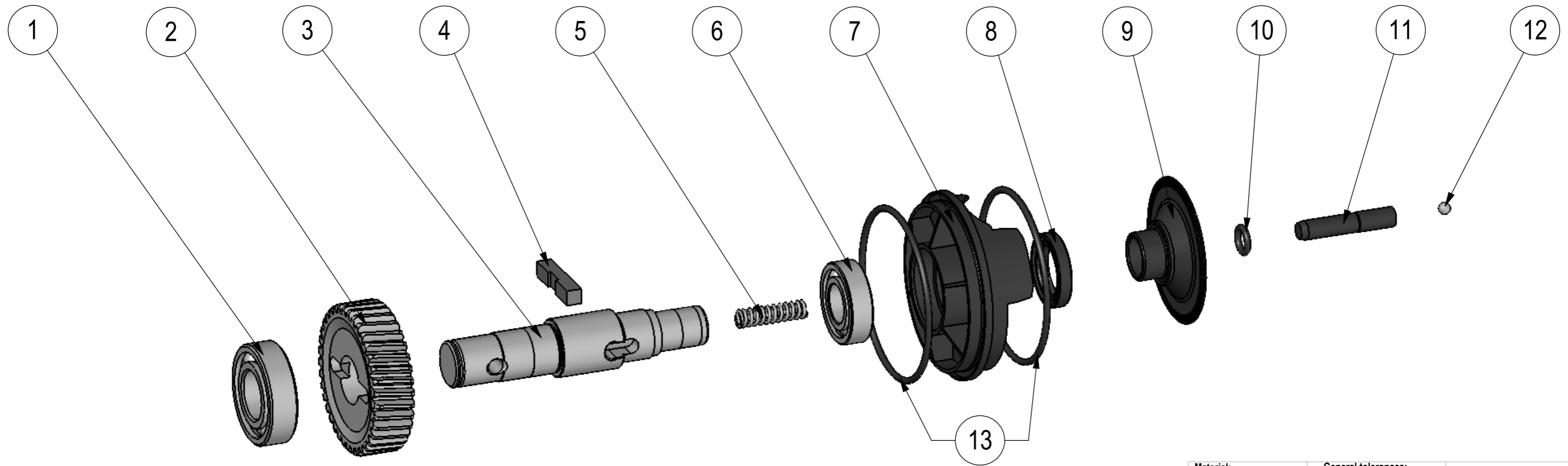
Material: ---
 Corrosion protection: ---
 Colour: ---

General tolerances:
 Unless Otherwise Specified
 0 +/-0.5mm
 0.0 +/-0.2mm
 0.00 +/-0.1mm
 0.000 +/-0.01mm
 Angular +/-0.1°

Drq. mass: --- g
 Drawn by: G.R.
 Issued: 4/11/2008
 Scale: Not to any Scale
 Part No: D3RSPCLB03

D5 V4 MAIN SHAFT AND DRIVE KEY ASSY - 1010SUB2V4

ITEM No.	QTY	PART No.	TITLE
1	1	BB62050000	Bearing 6205-Plain (25x52x15)
2	1	1010M10140	D5 Helical Cast Iron Gear V1
3	1	1010M11821	D3/ D5 Main Shaft V3
4	1	1010M11822	D3/ D5 Drive Key V3
5	1	1010M11824	D5/R3 Driving key spring (V3)
6	1	BB60040000	Bearing 6004-Plain, (20x42x12)
7	1	1010M11825	D3/ D5 Bearing Housing V4
8	1	BB/OS38257	Oil seal 25x38x7 HMSA10
9	1	1010M11036	D3/ D5 Chamber DOSS wheel V3
10	1	BB/OR-10X3	O-Ring, ID10 x 3
11	1	1010M11823	D3/ D5 Release Pin V3 GFN
12	1	BBBALL0600	Ball diameter 6mm SS
13	2	BB/OR-85X3	O-Ring, ID85 x 3



Material:	General tolerances: Unless Otherwise Specified	Drg. mass: - g
Corrosion protection:	0 +/- 0.5mm	Drawn by: Buhrmann
	0.0 +/- 0.2mm	Issued:
	0.00 +/- 0.1mm	Scale: Not to any scale
Colour:	0.000 +/- 0.01mm	Part No: 1010SUB2V4
	Angular +/- 0.1°	

- All dimensions in mm.
Steel Parts
 - Deburr all sharp edges
Plastic Parts
 - Free from flash

A3



Title: V4 MAIN SHAFT AND DRIVE KEY ASSY

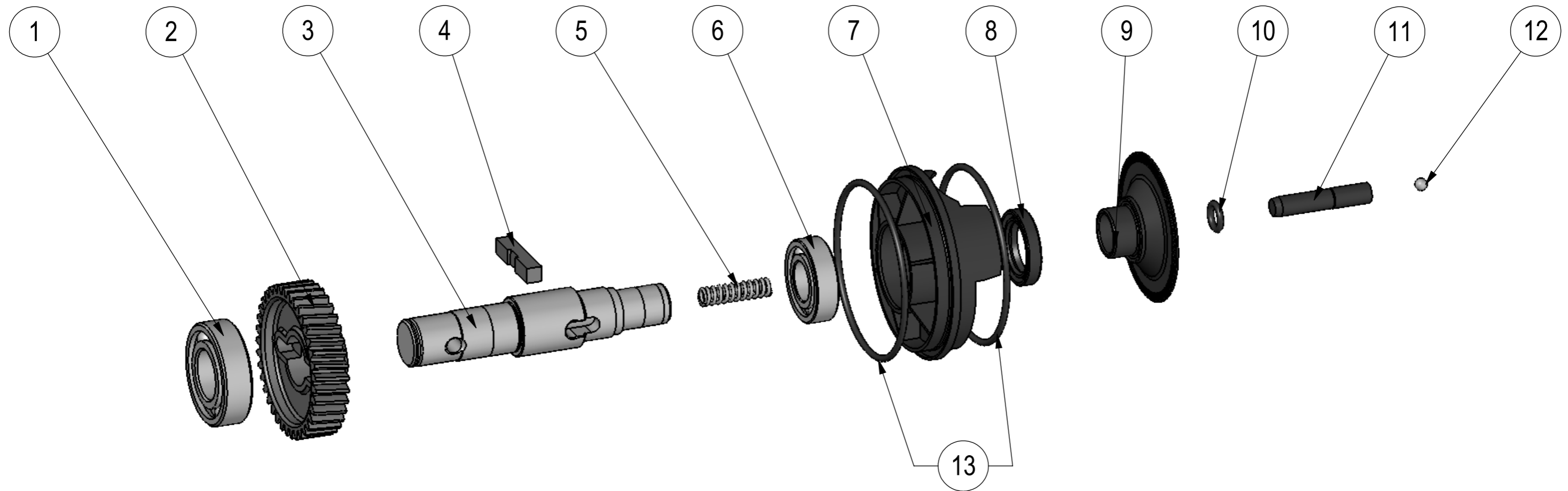
Sheet No: 4 of 8 **Drg. No:** 1010.M.01.01.08.00_5 **Rev:** 0

THE INFORMATION CONTAINED IN THIS DRAWING IS THE SOLE PROPERTY OF CENTURION SYSTEMS ANY REPRODUCTION IN PART OR WHOLE WITHOUT THE WRITTEN PERMISSION OF CENTURION SYSTEMS IS PROHIBITED

Tel: (011) 699-2400
 Fax: (011) 704-3412

D3 V3 Main Shaft Sub-Assy - 1099SUB2V3

ITEM No.	QTY	PART No.	TITLE
1	1	BB62050000	Bearing 6205-Plain (25x52x15)
2	1	1099040502	D3 Moulded Helical Gear
3	1	1010M11821	D3/ D5 Main Shaft V3
4	1	1010M11822	D3/ D5 Drive Key V3
5	1	1010M11824	D5/R3 Driving key spring (V3)
6	1	BB60040000	Bearing 6004-Plain, (20x42x12)
7	1	1010M11825	D3/ D5 Bearing Housing V4
8	1	BB/OS38257	Oil seal 25x38x7 HMSA10
9	1	1010M11036	D3/ D5 Chamber DOSS wheel V3
10	1	BB/OR-10X3	O-Ring, ID10 x 3
11	1	1010M11823	D3/ D5 Release Pin V3 GFN
12	1	BBBALL0600	Ball diameter 6mm SS
13	2	BB/OR-85X3	O-Ring, ID85 x 3



Material:	General tolerances: Unless Otherwise Specified	Drg. mass: - g
Corrosion protection:	0 +/- 0.5mm	Drawn by: Buhrmann
Colour:	0.0 +/- 0.2mm	Issued:
	0.00 +/- 0.1mm	Scale: Not to any scale
	0.000 +/- 0.01mm	Part No: 1099SUB2V3
	Angular +/- 0.1°	

- All dimensions in mm.
Steel Parts
 - Deburr all sharp edges
Plastic Parts
 - Free from flash

A3



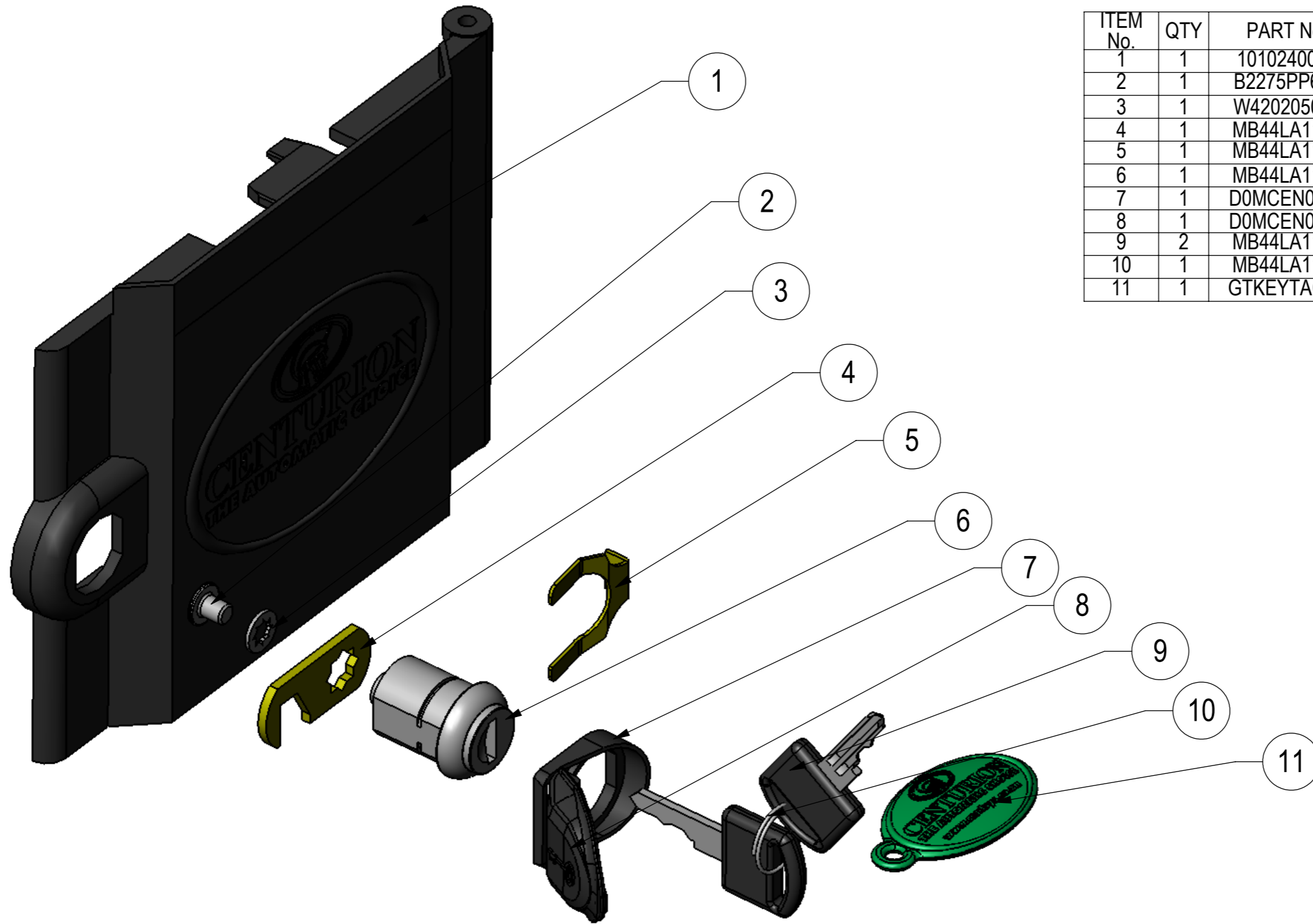
Title: D3 V3 Main Shaft Sub-Assy

Sheet No: 5 of 8 **Drg. No:** 1010.M.01.01.08.00_2 **Rev:** 0

THE INFORMATION CONTAINED IN THIS DRAWING IS THE SOLE PROPERTY OF CENTURION SYSTEMS ANY REPRODUCTION IN PART OR WHOLE WITHOUT THE WRITTEN PERMISSION OF CENTURION SYSTEMS IS PROHIBITED

Tel: (011) 699-2400
 Fax: (011) 704-3412

D3/D5 V3 DOOR & CAMLOCK ASSY - 1010SUB13A



ITEM No.	QTY	PART No.	TITLE
1	1	1010240001	D5 Door V3 Stiffened Lip
2	1	B2275PP620	M5 Pan Pozi Taptite
3	1	W420205000	M5 Star Washer
4	1	MB44LA1107	Camlock striker for D3/D5
5	1	MB44LA1107	Camlock Horse Shoe Clip
6	1	MB44LA1107	Cam lock (19mm)
7	1	D0MCEN0480	Camlock Cover Base
8	1	D0MCEN0480	Camlock Cover Lid
9	2	MB44LA1107	D5 Camlock Key
10	1	MB44LA1107	Key Ring
11	1	GTKEYTAG02	Universal Keytag V2 - Bo Type

Material:	General tolerances: Unless Otherwise Specified	Drg. mass: --- g
Corrosion protection:	0 +/- 0.5mm 0.0 +/- 0.2mm 0.00 +/- 0.1mm 0.000 +/- 0.01mm Angular +/- 0.1°	Drawn by: SPIKE
Colour:		Issued: 14/12/2009
		Scale: Not to any scale
		Part No: 1010SUB13A
		Title: D3/D5 V3 DOOR & CAMLOCK ASSY
Sheet No: 6 of 8		Drg. No: ---
Rev: 0		

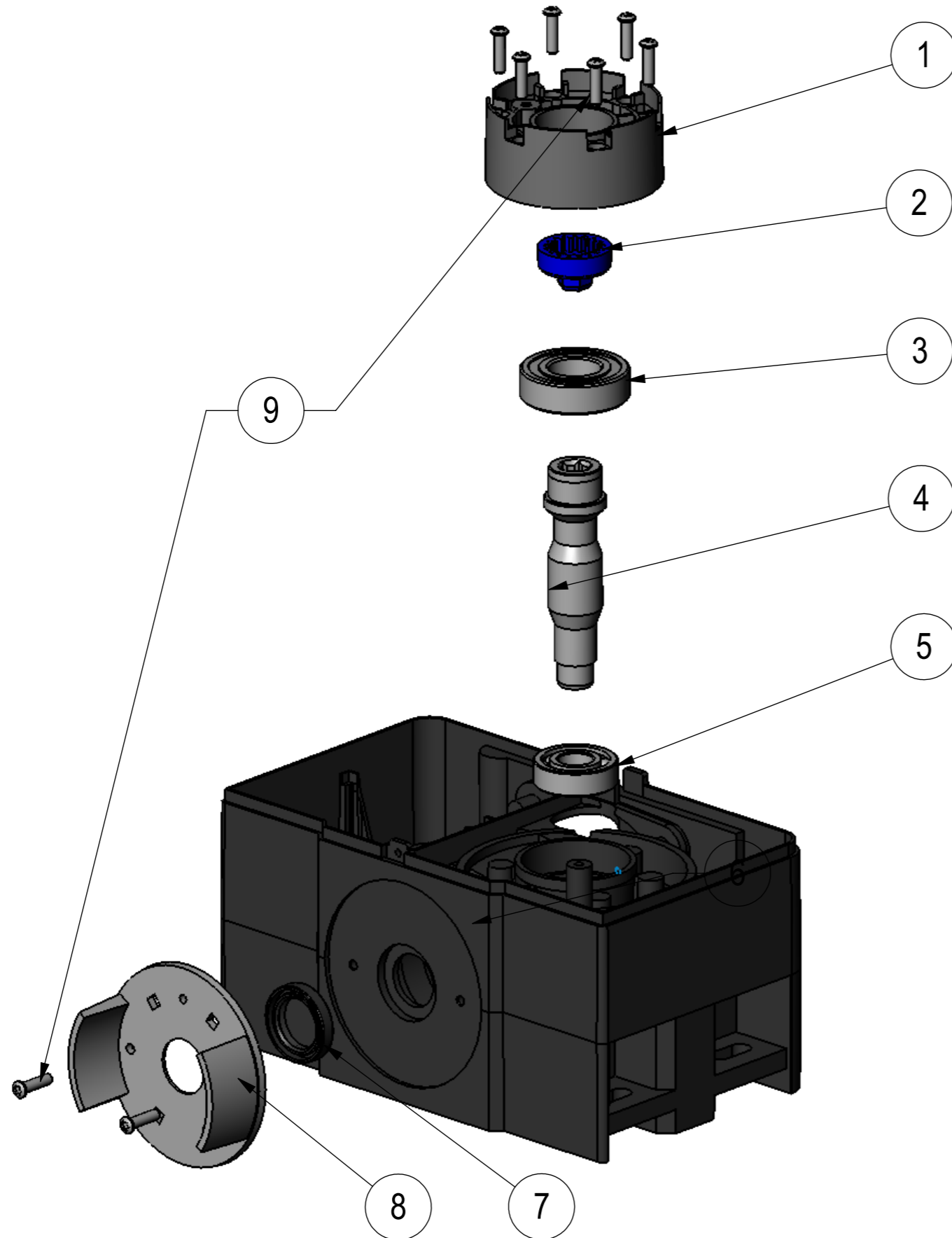
- All dimensions in mm.
Steel Parts
 - Deburr all sharp edges
Plastic Parts
 - Free from flash

A3

THE INFORMATION CONTAINED IN THIS DRAWING IS THE SOLE PROPERTY OF CENTURION SYSTEMS ANY REPRODUCTION IN PART OR WHOLE WITHOUT THE WRITTEN PERMISSION OF CENTURION SYSTEMS IS PROHIBITED

Tel: (011) 699-2400
 Fax: (011) 704-3412

D5 GEARBOX ASSY - D5GBOXPREP



ITEM No.	QTY	PART No.	TITLE
1	1	10991300V2	D3/D5 Motor Mounting Flange V2 Ejot Type
2	1	1099300800	D3/ D5 Drive Coupling wormshaft side
3	1	BB6205ZZ00	Bearing 6205-ZZ (25x52x15)
4	1	1099100000	D3/D5 Wormshaft Hex Coupling Type
5	1	BB62030000	Bearing 6203-Plain (17x40x12)
6	1	1010010003	D3/D5 1M Gearbox V3
7	1	BB/OS38257	Oil seal 25x38x7 HMSA10
8	1	1010060000	D3/D5 Pinion Guard
9	8	WN14525020	PT SCREW KB 50 X 20 TORX DRIVE WN1452

Material:	General tolerances: Unless Otherwise Specified	Drg. mass: --- g
Corrosion protection:	0 +/- 0.5mm 0.0 +/- 0.2mm 0.00 +/- 0.1mm 0.000 +/- 0.01mm Angular +/- 0.1°	Drawn by: SPIKE
Colour:		Issued: 11/12/2009
		Scale: Not to any scale
		Part No: D5GBOXPREP

- All dimensions in mm.
Steel Parts
 - Deburr all sharp edges
Plastic Parts
 - Free from flash

THE INFORMATION CONTAINED IN THIS DRAWING IS THE SOLE PROPERTY OF CENTURION SYSTEMS ANY REPRODUCTION IN PART OR WHOLE WITHOUT THE WRITTEN PERMISSION OF CENTURION SYSTEMS IS PROHIBITED

A3



Title: **D5 GEARBOX ASSY**

Sheet No: 7 of 8

Drg. No: ---

Rev: 0

Tel: (011) 699-2400
 Fax: (011) 704-3412

D5V5 DOSS ASSY - 1099SUB3V5

ITEM No.	QTY	PART No.	TITLE
1	1	WHD10M10524	D10/D5 EVO DOSS HARNESS V3
2	1	D0MCEN0410	D3 /D5 IM DOSS SENSOR CARRIER & HSG KIT
3	1	PCA082V4.1	D5 V5 DOSS PCB ASSY
4	1	D0MCEN0410	DOSS Mounting Tube (Installed)



D5V3 DOSS ASSY - 1099SUB03A

ITEM No.	QTY	PART No.	TITLE
1	1	WHD5DOSSV3	DOSS Wiring Harness
2	1	D0MCEN0410	D3 /D5 IM DOSS SENSOR CARRIER & HSG KIT
3	1	CP82V3.0	DOSS PCB CP82 V3.0 SMT TYPE
4	1	D0MCEN0410	DOSS Mounting Tube (Installed)

