

# 150W Solar panel specifications

Our range of solar panels are constructed from ultra-efficient polycrystalline and have been designed to provide a reliable and cost-effective alternative energy solution for applications where mains power is either not available, or not desirable.

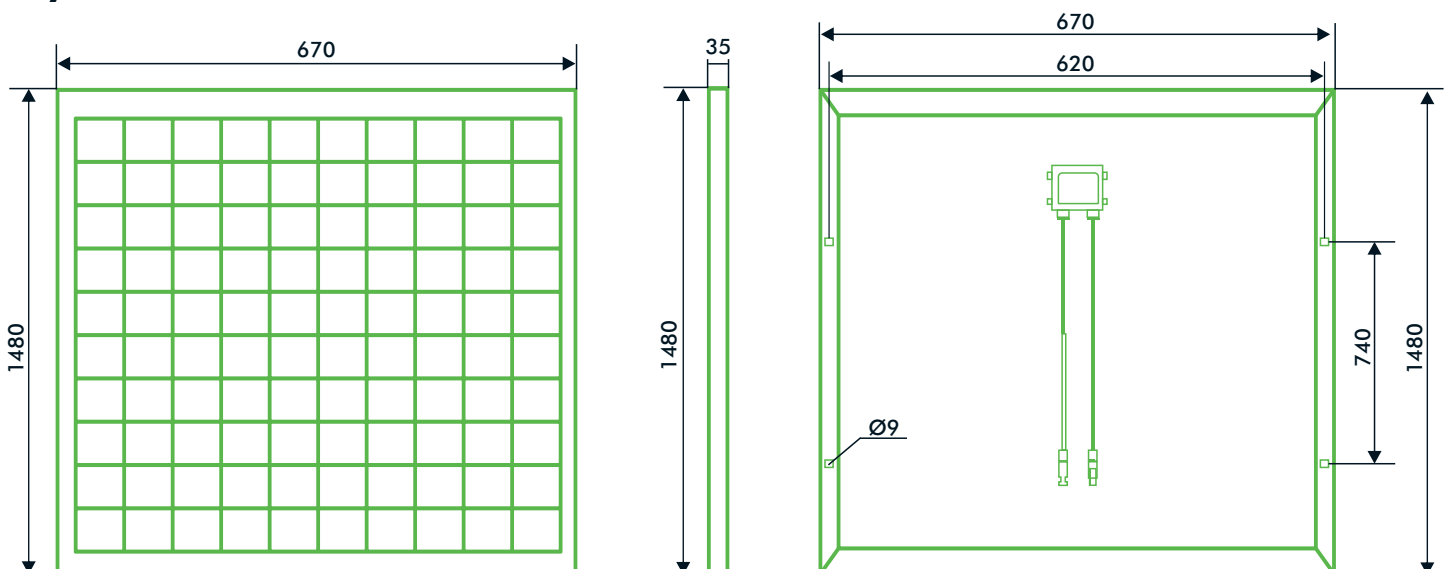
## Main features:

- Clever engineering makes for minimal power losses during prolonged periods in shade
- Fully weather-resistant - durable white tempered glass, EVA resin and weather-resistant film enclosed in anodised aluminium frame

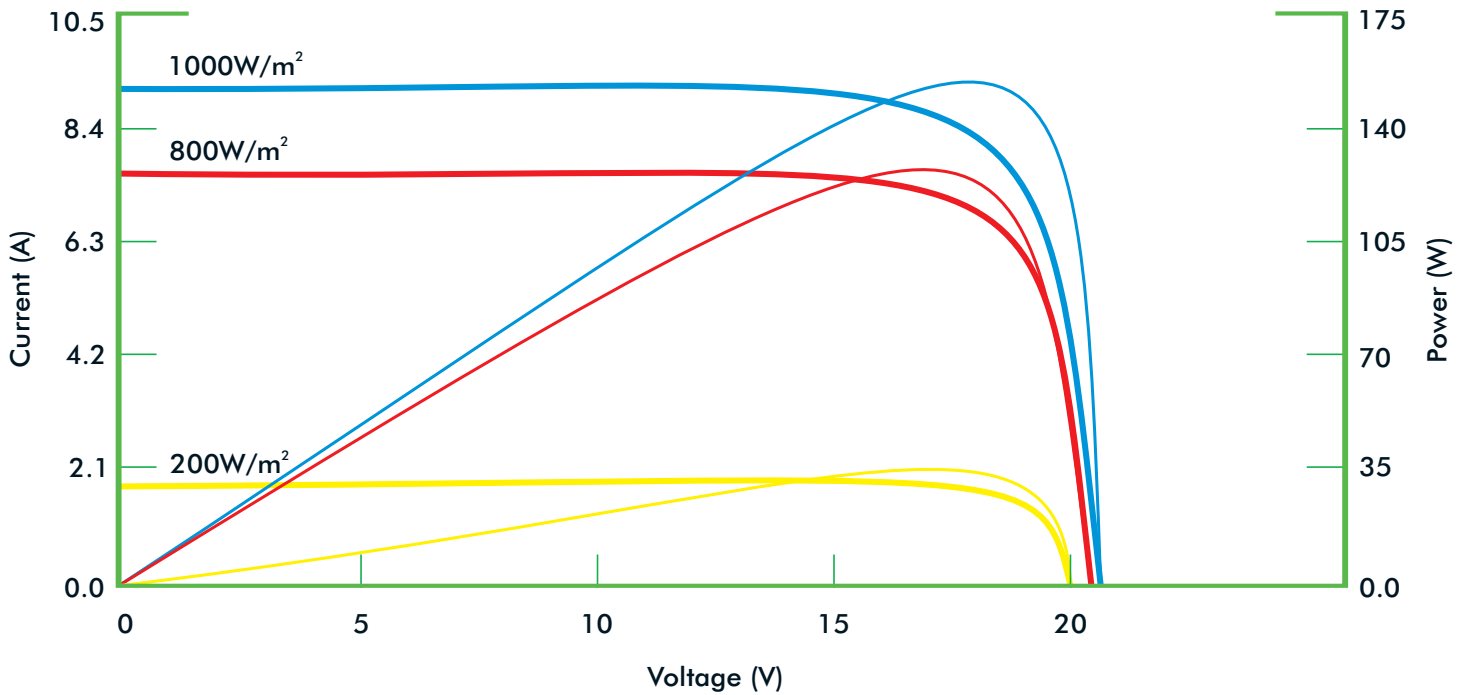
## Technical specifications

Type Of Module	150W
Maximum Power	150W
Tolerance	± 3%
Open Circuit Voltage	22,5V
Short Circuit Current	8,56A
Maximum Power Voltage	18,5V
Maximum Power Current	8,11A
Module Efficiency	15,2%
Solar Cell Efficiency	17,1%
Series Fuse Rating	15A
Terminal Box	IP65
Maximum system voltage	1000V DC
Operating Temperature	-40°C - 85°C
Dimensions	1480mm x 670mm x 35mm
Weight	12kg

## Physical dimensions



## Current-voltage and power-voltage characteristics - various irradiance levels



Current and voltage

Power and voltage

## Electrical characteristics

### Electric performance typical performance characteristics

Current Temperature Coefficient %/°C	+0.06
Voltage Temperature Coefficient %/°C	-0.34
Power Temperature Coefficient %/°C	-0.47

Performance Warranty: 90%output, 12 year  
80%output, 25 years