



All product and brand names in this document that are accompanied by the @ symbol are registered trademarks in South Africa and/or other countries. In favour of Centurion Systems (Pty) Ltd, South Africa. The CENTURION and CENTSYS logos, all product and brand names in this document that are accompanied by the TM symbol are trademarks of Centurion Systems (Pty) Ltd, in South Africa and other territories; all rights are reserved. We invite you to contact us for further details.

EARC Centurion Systems (Pty) Ltd reserves the right to change any product without prior notice

Call Technical Support: +27 11 699 2481
 from 07:00 to 18:00 (UTC+2)

Call Centurion Systems (Pty) Ltd - South Africa
 Head Office: +27 11 699 2400

Subscribe to the newsletter
www.centsys.com/subscribe

@centurion.systems

askcenturion
[YouTube.com/CenturionSystems](https://www.youtube.com/channel/UCenturionSystems)
[Facebook.com/CenturionSystems](https://www.facebook.com/CenturionSystems)

Connect with us on:

www.centsys.com

ANCILLARY DEVICES

24 - 12 VOLT DC-DC
 REGULATOR WITH RELAY
 QUICK GUIDE



1. Introduction

This configuration acts as a regulator that converts a 24VDC input to a 12VDC output which enables devices such as a POLOphone intercom system to receive power from a 24VDC gate motor. In addition, a relay is included for connecting a pillar light to gate motors that do not provide an onboard relay for this application.

2. Technical Specifications

Input voltage	24V - 30V DC
Regulator Voltage Output	12V DC
Regulator Current Output	300mA
Switching Relay Rating	3A @ 12/24V DC and 1A @ 220V AC
IP Rating of Housing	IP56
Regulator Board Dimensions	40mm x 57mm

3. Wiring Diagrams

3.1. Typical Regulator Circuit

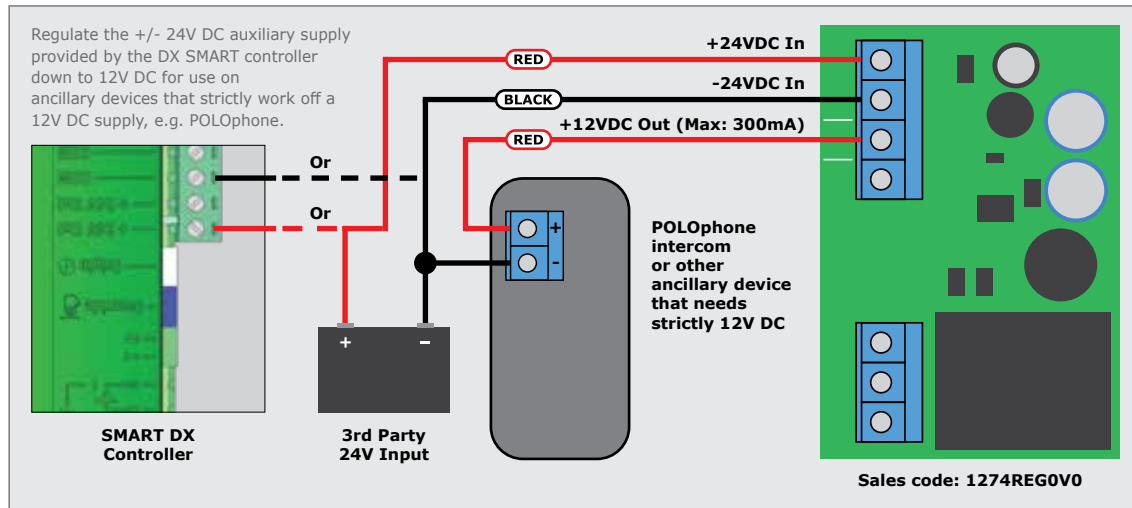


FIGURE 1



3.2. Typical Relay Circuit

Allow any of the channels provided on the DX SMART controller when set to act as an output, to switch an ancillary item with a load or voltage requirement outside of the capability of the channel.

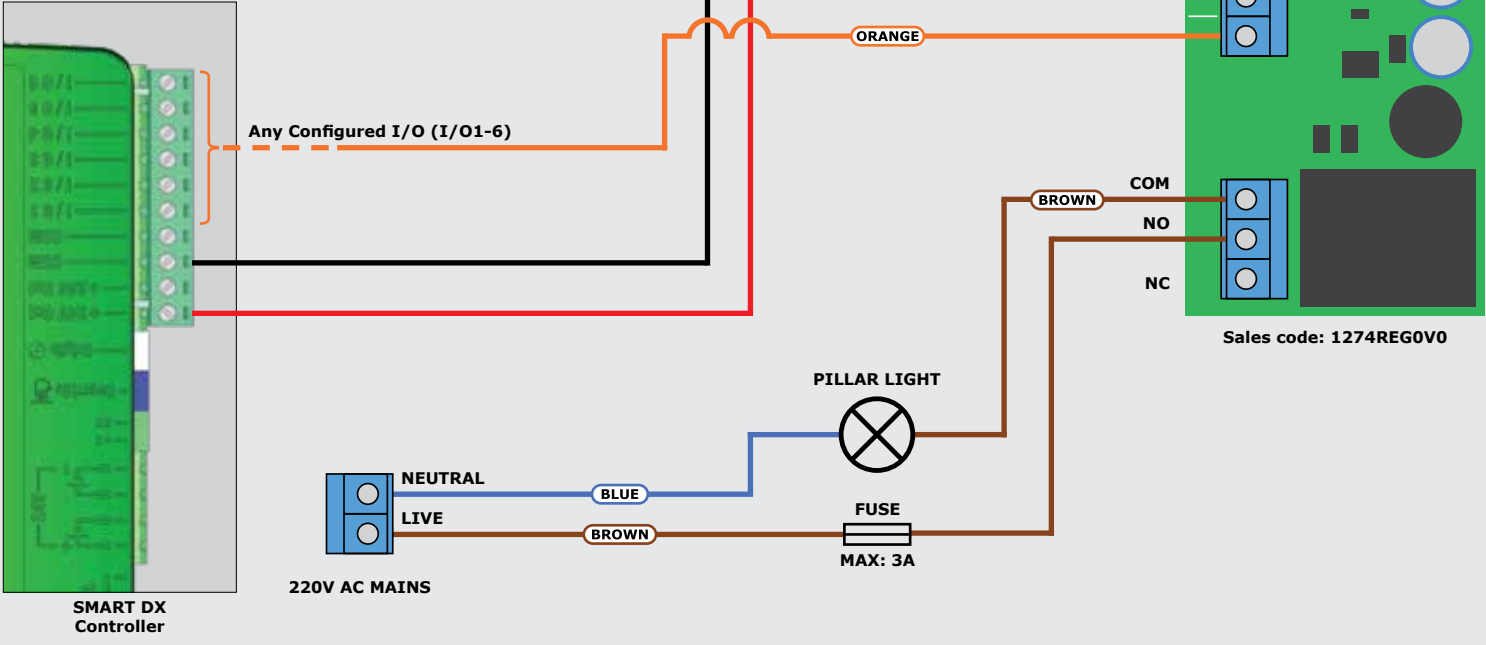


FIGURE 2