

60W Solar panel specifications

Our range of solar panels are constructed from ultra-efficient polycrystalline and have been designed to provide a reliable and cost-effective alternative energy solution for applications where mains power is either not available, or not desirable.

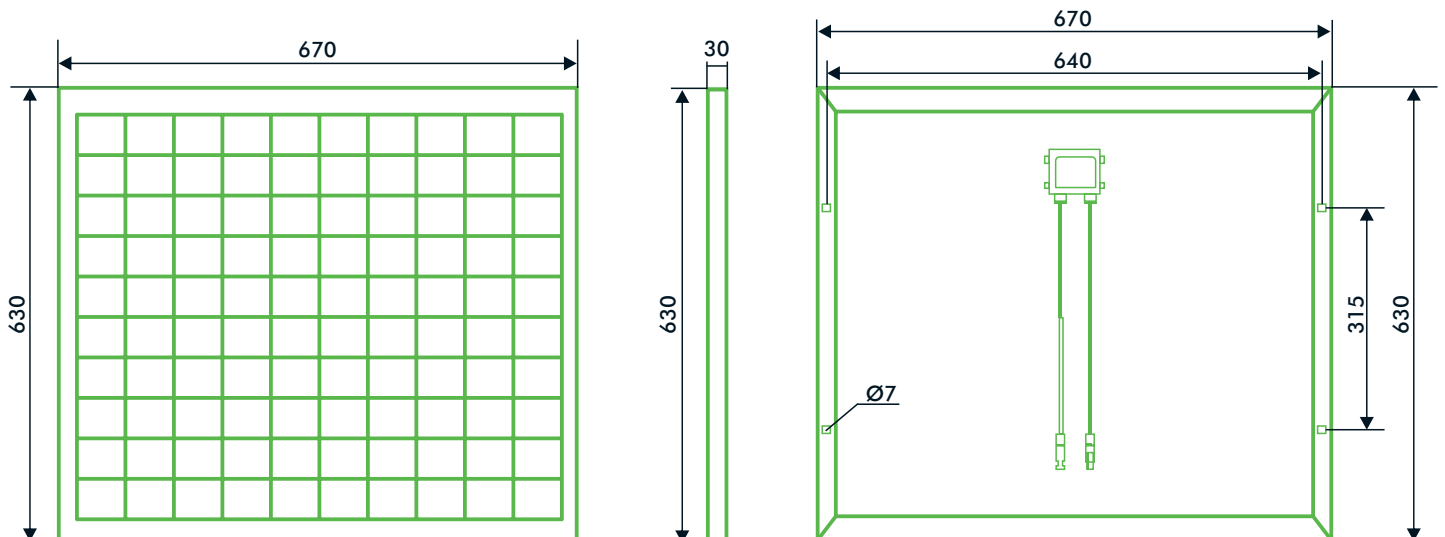
Main features:

- Clever engineering makes for minimal power losses during prolonged periods in shade
- Fully weather-resistant - durable white tempered glass, EVA resin and weather-resistant film enclosed in anodised aluminium frame

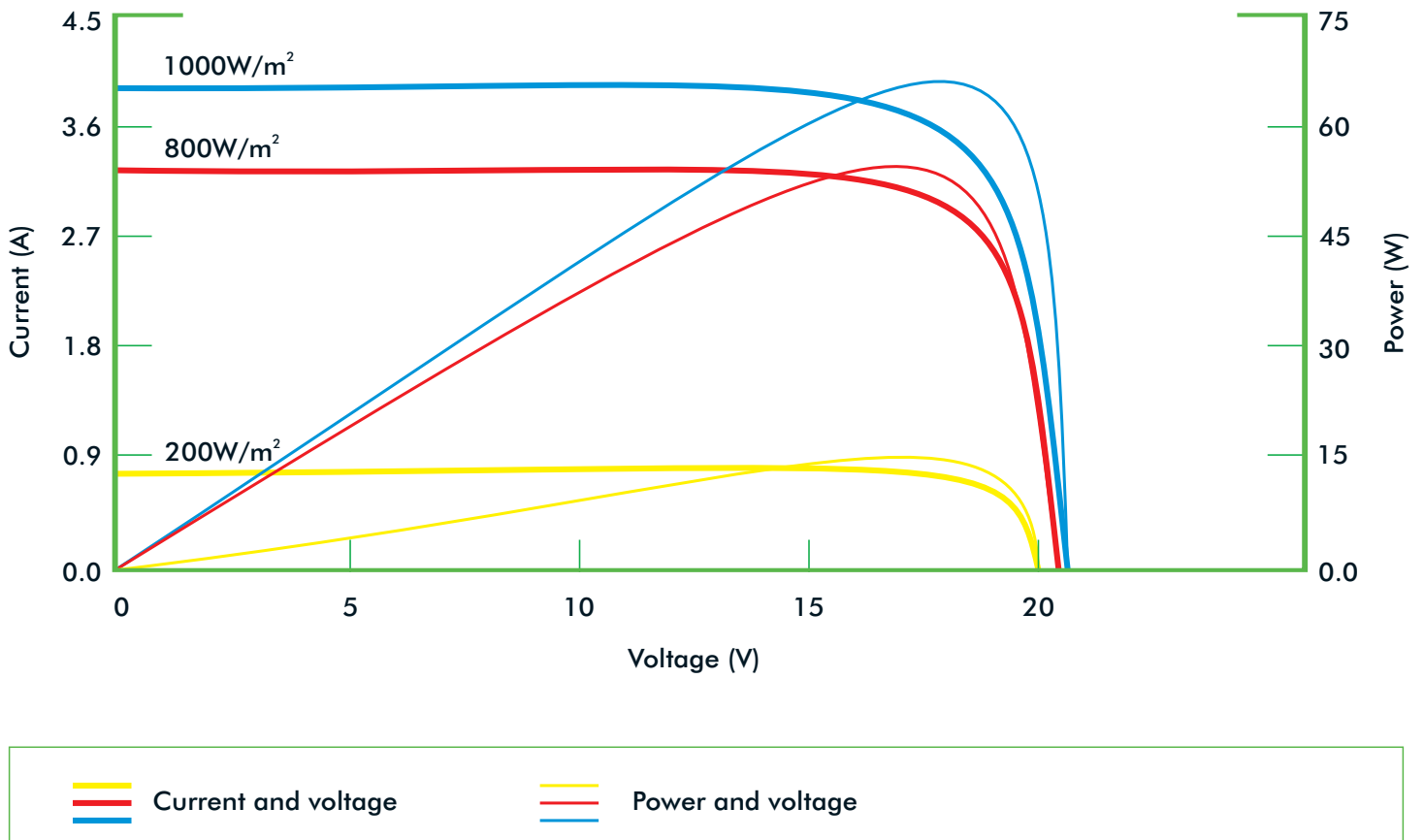
Technical specifications

Type Of Module	60W
Maximum Power	60W
Tolerance	± 3%
Open Circuit Voltage	22.2V
Short Circuit Current	3.56A
Maximum Power Voltage	18.2V
Maximum Power Current	3.3A
Module Efficiency	14.22%
Solar Cell Efficiency	17.26%
Series Fuse Rating	15A
Terminal Box	IP65
Maximum system voltage	1000V DC
Operating Temperature	-40°C - 85°C
Dimensions	630mm x 670mm x 30mm
Weight	5.1kg

Physical dimensions



Current-voltage and power-voltage characteristics - various irradiance levels



Electrical characteristics

Electric performance typical performance characteristics

Current Temperature Coefficient %/°C	+0.06
Voltage Temperature Coefficient %/°C	-0.34
Power Temperature Coefficient %/°C	-0.47

Performance Warranty: 90%output, 12 year
80%output, 25 years