

1. Introduction

The Multi-Function Relay Board, is an interface board that allows a Low-Current and/or Low-Voltage output to drive a High-Voltage and/or a High-Current load (3Amp @ 230VAC / 28VDC Non-Inductive)

The M-FRB can be configured to act as;

- A relay that is switched by either a Positive or Negative output
- A LED extender capable of driving multiple LEDs or other indicating device
- An interface card for an Inductive Sensor with a PNP or NPN output

The above functions are easily selected by means of a jumper.

A diagnostic LED is included to assist with troubleshooting during installation;

The LED will be ON when the relay is energised and OFF when it is de-energised.

2. Electrical Specifications

Input Voltage MAXIMUM	13.6 V
Input Voltage MINIMUM	10.6 V
Current Consumption	40mA +/- 10%
Relay Output Non-Inductive	3A @ 230 VAC 3A @ 28 VDC

TABLE 1

3. Wiring

3.1. Wiring the M-FRB as a relay

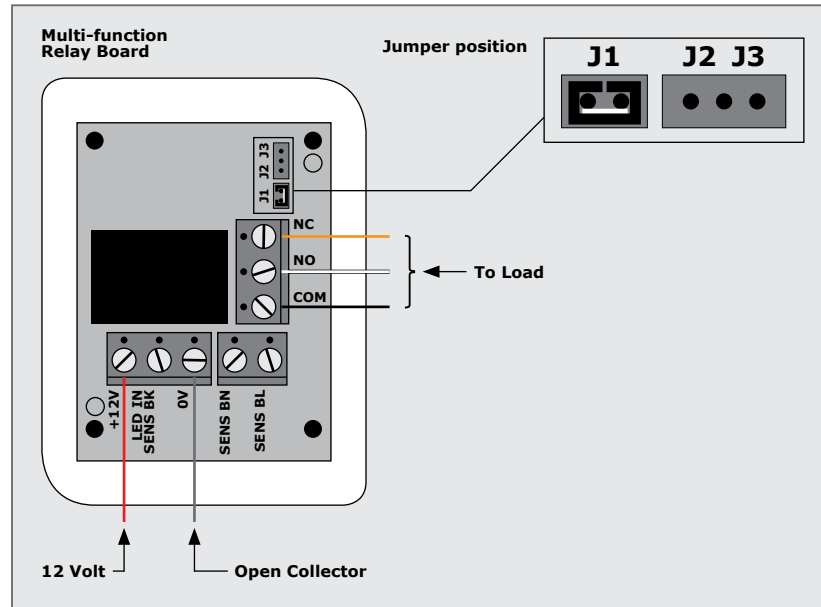


FIGURE 1

3.2. Wiring the M-FRB to control a Midi Traffic Light

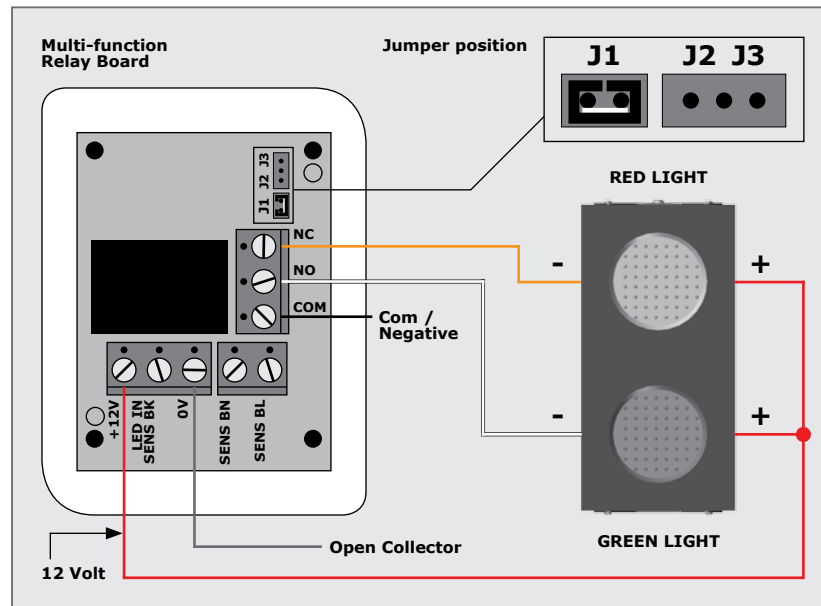


FIGURE 2

3.3. Wiring the M-FRB as a Multi-LED Driver

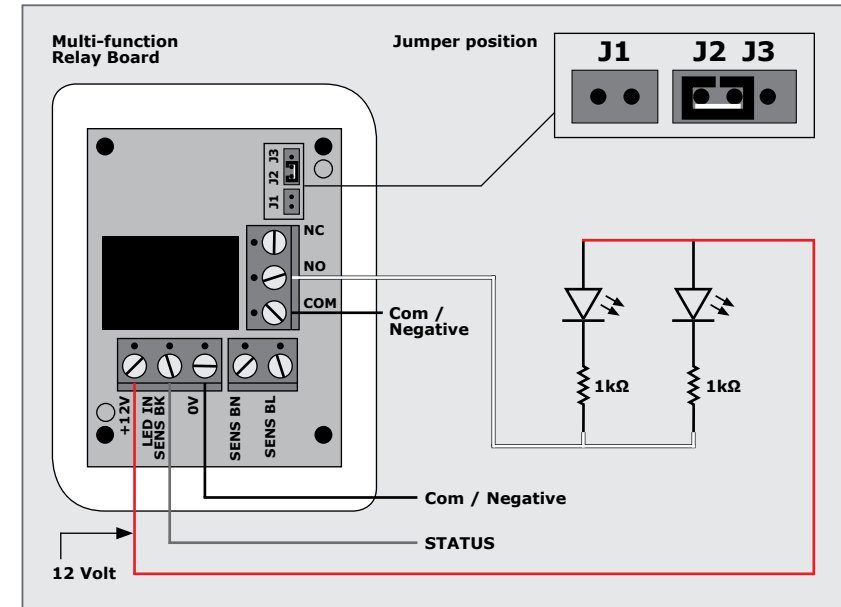


FIGURE 3

3.4. Wiring the M-FRB as an Inductive Sensor Interface for use with Direct Drive or Independent Drive Claws

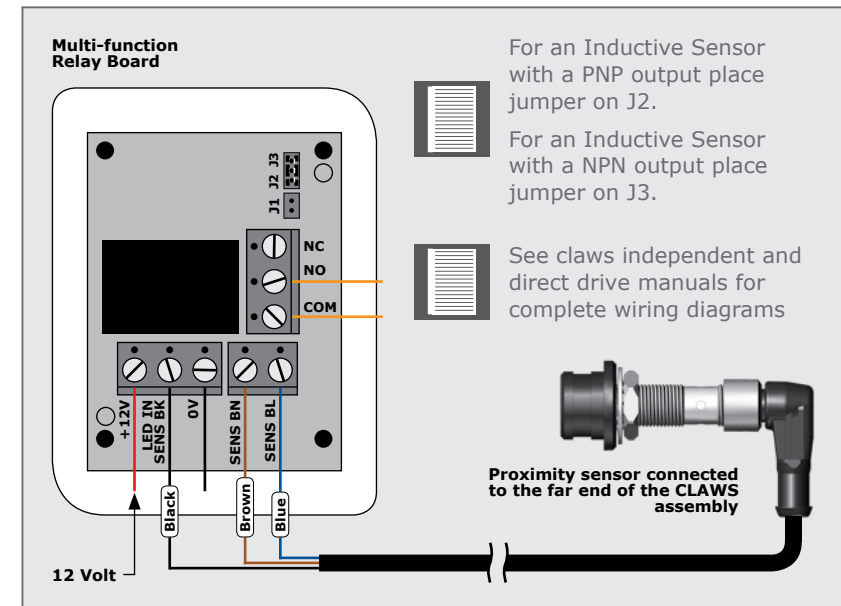


FIGURE 4