

# SECTIONAL GARAGE DOOR STOPPER INSTALLATION GUIDE

Applicable to SECTIONAL GARAGE DOORS ONLY



To prevent garage doors from being forced open during protracted power outages or a failure of the automation system, CENTURION has developed a device that can be installed directly onto the garage door track and acts as an additional security measure by locking the door in the closed position.

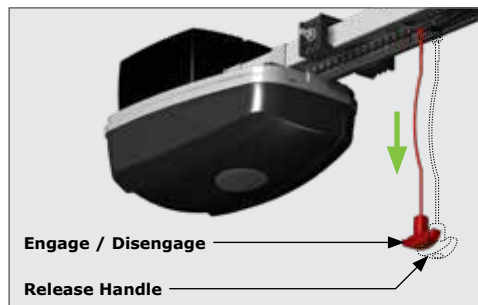


FIGURE 1

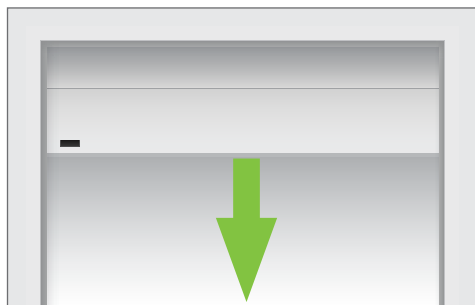


FIGURE 2

Start by disengaging the operator. For the CENTURION SDO4, this is done by pulling the manual release handle down towards you until a click is "felt".

Lower the Garage Door until it is in the fully closed position.

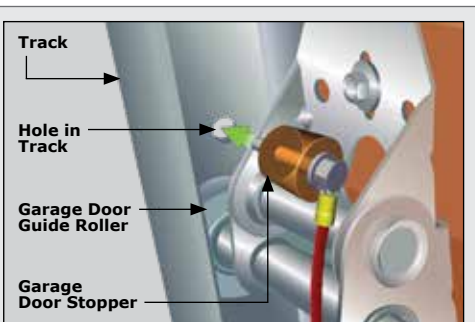
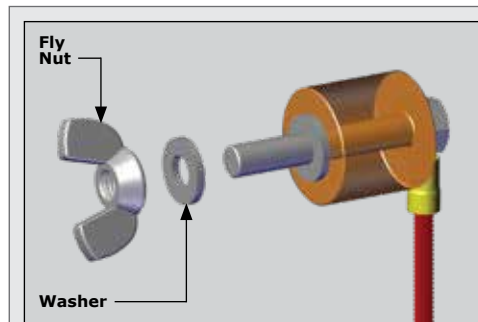
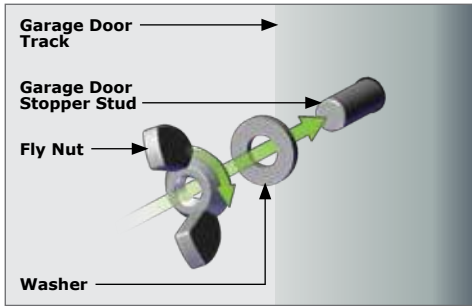


FIGURE 3

Remove the Fly Nut and one Washer from the **Garage Door Stopper** provided in the kit, and insert the lock into a hole in the track directly above one of the Garage Door Guide Rollers.

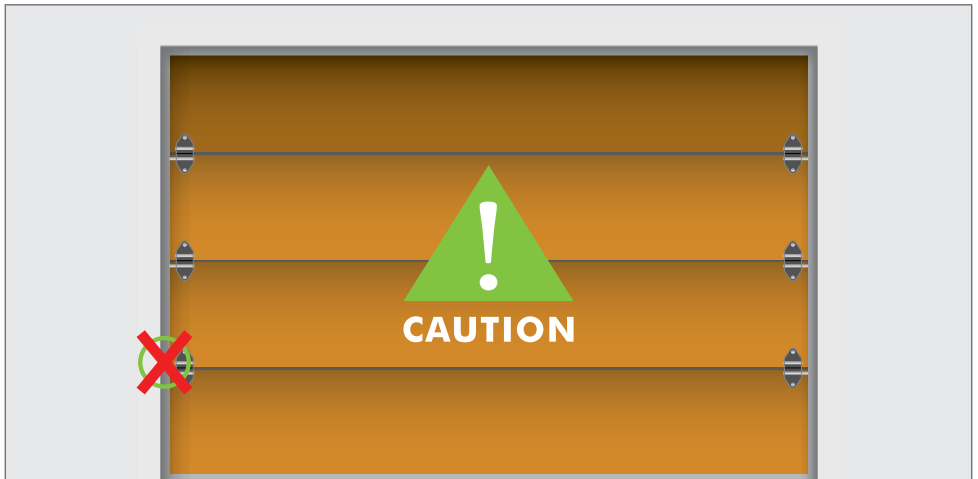


In the unlikely event that there is no hole in the track that would be suitable for the installation of the **Garage Door Stopper**, a 6mm hole must be drilled into the track directly above one of the guide rollers.



**FIGURE 4**

Secure the lock by fitting the Washer and Fly Nut to the Stud of the **Garage Door Stopper** protruding through to the other side of the track.



**FIGURE 5**

Ensure that the **Garage Door Stopper** is removed once the system has returned to normal operation.

1262.D.01.0005\_2\_25032019

Centurion Systems is a Company of the  
FAAC Simply Automatic Business Unit

**FAAC**  
Simply automatic

[www.centsys.com](http://www.centsys.com)

[facebook.com/CenturionSystems](https://www.facebook.com/CenturionSystems) | [Youtube.com/CenturionSystems](https://www.youtube.com/CenturionSystems) | [Twitter@askCenturion](https://twitter.com/askCenturion)

Call 0860-CENTURION (0860 236 887) to order or to find out more  
Technical support line: 0861 003 123 (Monday - Friday: 07h00 - 18h00, Saturday 8h00 - 13h30)  
E&OE. Centurion Systems (Pty) Ltd reserves the right to change any product without prior notice

 **SOUTH AFRICA** 