



1. LED description

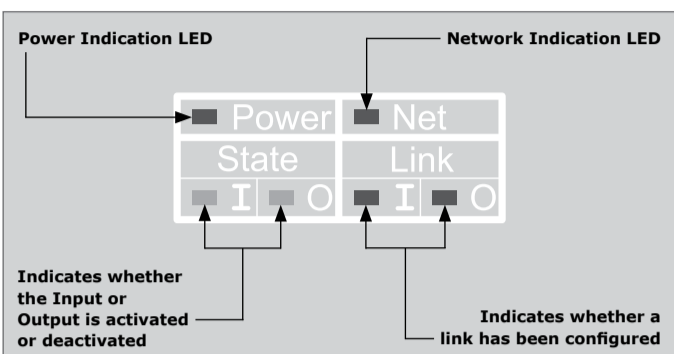


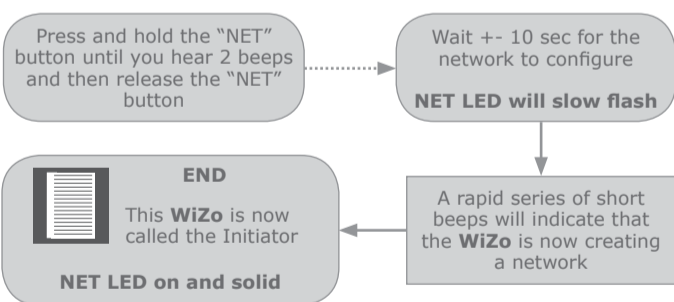
FIGURE 1

LED	LED State	Description
NET LED	Off	Network is not configured
	Solid	Connected to network
	Slow Flash	Starting new network or searching for a network to join
	Fast Flash	Allowing another Device to join the network
	Solid with 3x Fast Flashes	Low or no network signal
STATE; INPUT	Off	Input is deactivated (high or floating)
	Solid On	Input is activated (connected to GND)
STATE; OUTPUT	Off	Output is deactivated
	Solid On	Output is activated
LINK; INPUT	Off	No Outputs are linked to this Input
	Solid On	Input is currently linked to at least 1 Output
	While in input learning mode; Fast Flash	Input to be linked
LINK; OUTPUT	Off	No Inputs are linked to this Output
	Solid On	At least one Input is linked to this Output
	While in input learning mode; Slow Flash	Output not currently linked to Input
	While in input learning mode; Fast Flash	Output already linked to Input

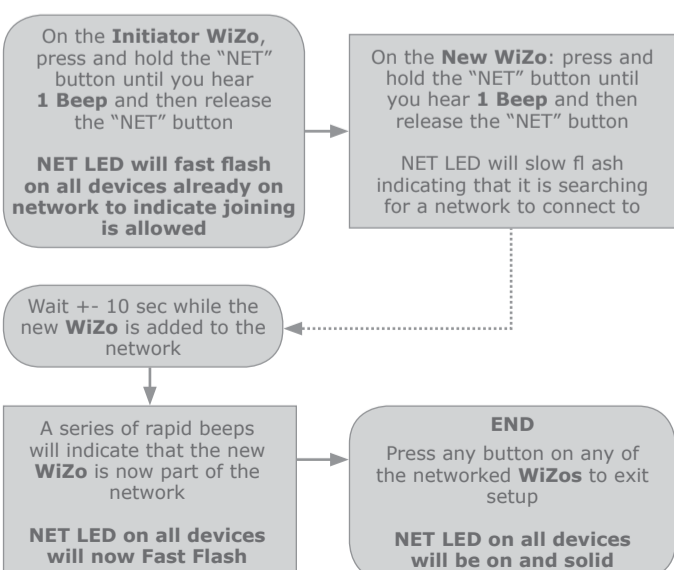
TABLE 1

2. Programming

2.1. Create a new network



2.2. Adding a new WiZo on the network



Any **WiZo** that is a part of the network can be used as the Initiator, and can be used to add new **WiZo** devices.

Repeat the above to add more **WiZos** to the network.

2.3. Programming a WiZo Input to trigger another WiZo Output

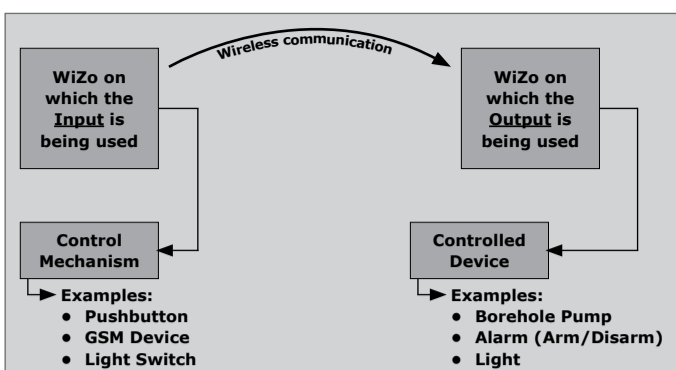
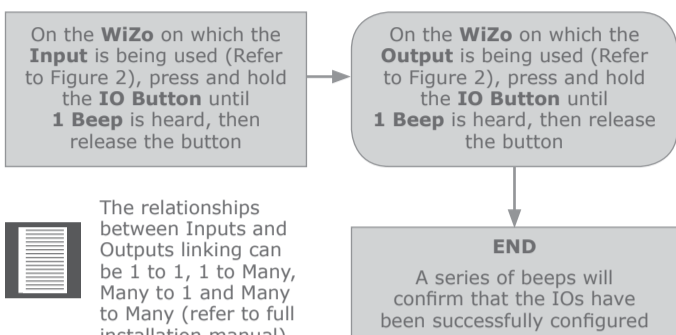


FIGURE 2. INPUT DEVICE AND OUTPUT DEVICE

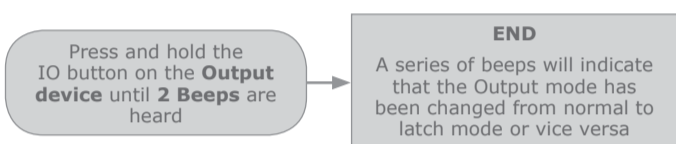


The relationships between Inputs and Outputs linking can be 1 to 1, 1 to Many, Many to 1 and Many to Many (refer to full installation manual).



Repeat the above process (Section 2.3) to delete an established link.

2.4. Configure Output to be latched



3. How to default the unit

- Make sure that the unit has been powered down
- Press and hold the NET and IO buttons while powering up (the power LED will be ON and the Net, Link Input and Output LEDs will start flashing):
 - Slow beeping will indicate default in progress;
 - Fast beeping after the slow beeping will indicate defaulting is complete and the user can now release both buttons;
- The unit is now defaulted, and should be restarted by removing and reapplying power

4. Technical Specifications

Technical Data	
Supply Voltage	12V - 24V DC
Average Current Consumption	30mA
Peak Current Consumption	50mA
Relay Rating	2A
Operating Temperature Range	-15°C - 50°C
Maximum number of Wizo-Links in a network	50
Number of Outputs to which a single Input can Link	10
Number of Inputs that can be linked to a single Output	10
Weight	65g
Dimensions	78mm W x 58mm D x 31mm H

TABLE 2