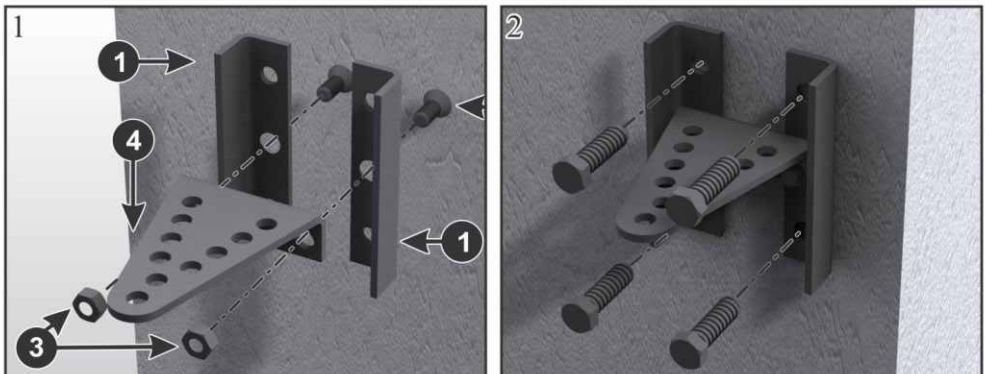


## Application

Kit VECWAK00V1 can be applied to all VECTOR operators, and can be applied to either the standard or high security brackets.

This kit is ideally suited to installations where the mounting wall is of unknown strength. By spreading the wall anchor loads over 4 anchors instead of 2 the stresses in the wall is significantly reduced. This in turn improves both the security and durability of the installation.

1. Attach the adaptor plates (1) to the standard wall bracket using the countersunk screws (2) and nuts (3).
2. Attach the entire assembly to the wall using all 4 mounting points.



0.07.A.0103\_22072013