

**POLOphone**  
**Entry Panel Wiring Diagram &**  
**Commissioning Procedure**

**POLO**phone™  
INTERCOM



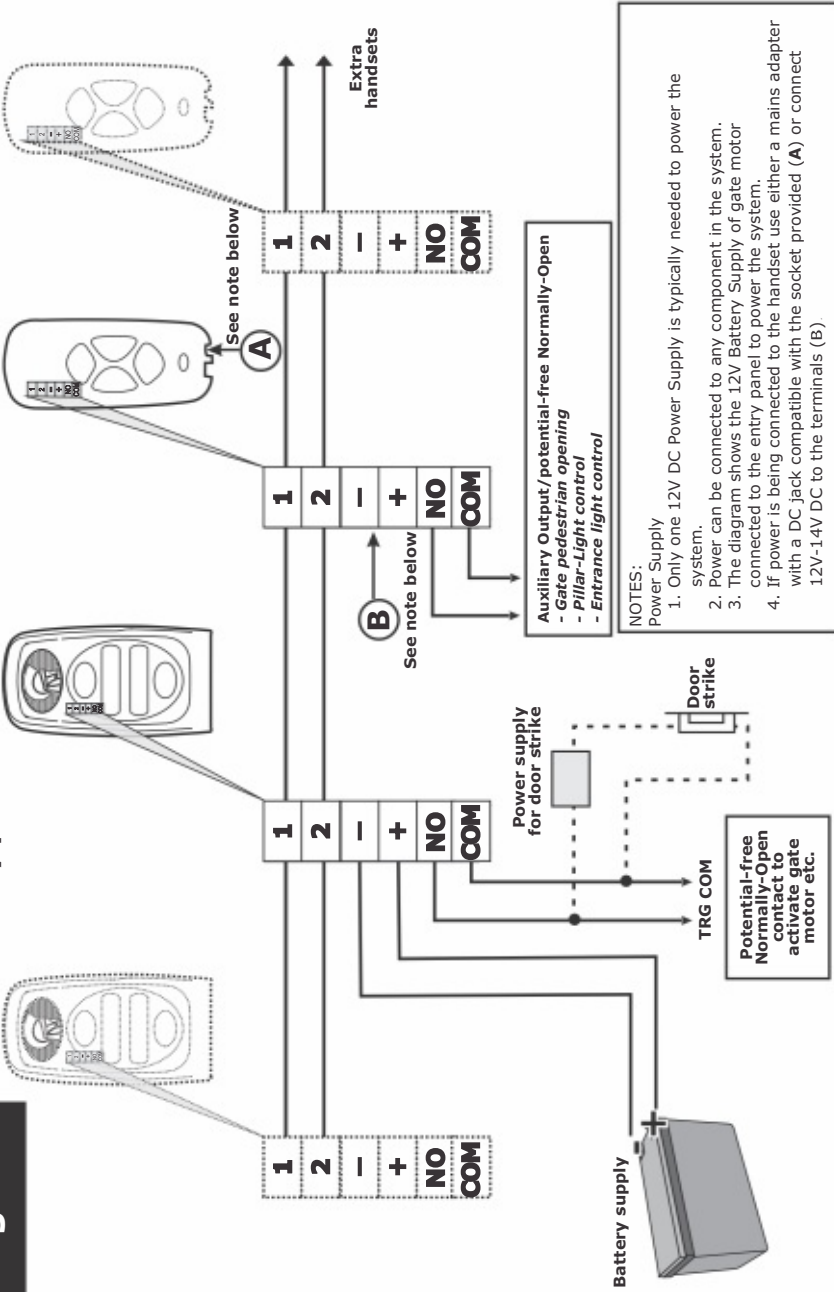
Visit [www.CentSys.com](http://www.CentSys.com) for the full range of  
products from Centurion Systems (Pty) Ltd



# Wiring Diagram

## Entry panel

## Handset



# ⚠ WARNING

If the gate trigger wire is connected to a potential-free contact (NO or COM) on the entry panel, the gate can be opened by joining the NO and COM terminals together. For additional security it is advisable to wire to the auxiliary terminals on the handset or connect the PLOswitch in the gate motor.

# Commissioning

## Entry Panel Selector Switch and Volume Control

- If the system has only one Entry Panel set the selector switch **(A)** to the upper position or **(1)**
- If there are two Entry Panels set the selector switch on the one panel to the upper position **(1)** and on the other panel to the lower position **(2)**
- When adjusting the speech volume start by setting the control knob **(B)** approximately 75% of full volume. Clockwise rotation increases the volume. Having set the volume adjustment on all the handsets to the same volume, optimise the speech volume at the Entry Panel(s)

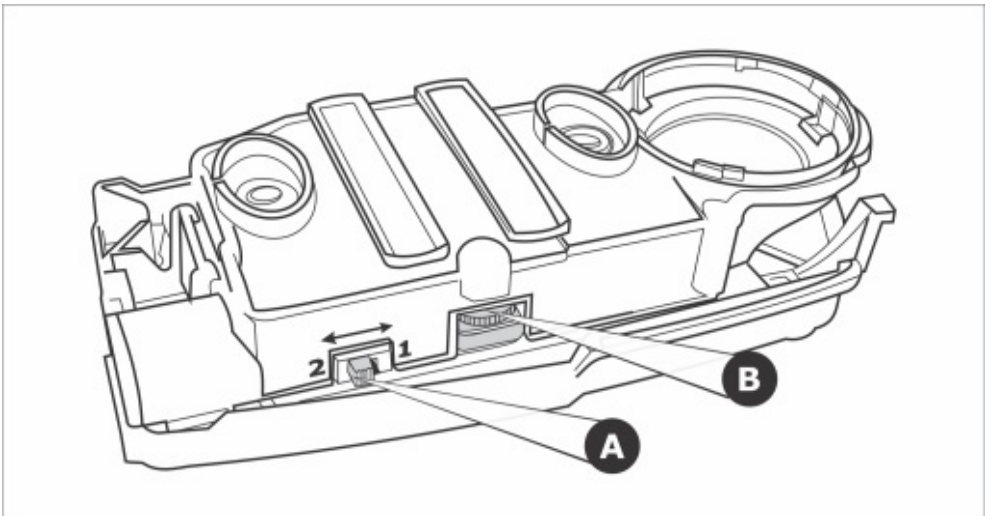


FIGURE 1. ENTRY PANEL SELECTOR SWITCH AND VOLUME CONTROL



 [facebook.com/CenturionSystems](https://www.facebook.com/CenturionSystems)

 [YouTube.com/CenturionSystems](https://www.youtube.com/CenturionSystems)

Subscribe to the newsletter: [www.CentSys.com/Subscribe](http://www.CentSys.com/Subscribe)

**Sharecall: 0860 236 887**

**Head Office: +27 11 699 2400**

**Sharecall Technical Support 0861 003 123 or**

**+27 11 699 2481**

from 07h00 to 18h00 (GMT+2)

(Sharecall numbers applicable when dialed from within South Africa only)



DOC1163G02\_12012015

**[www.CentSys.com](http://www.CentSys.com)**