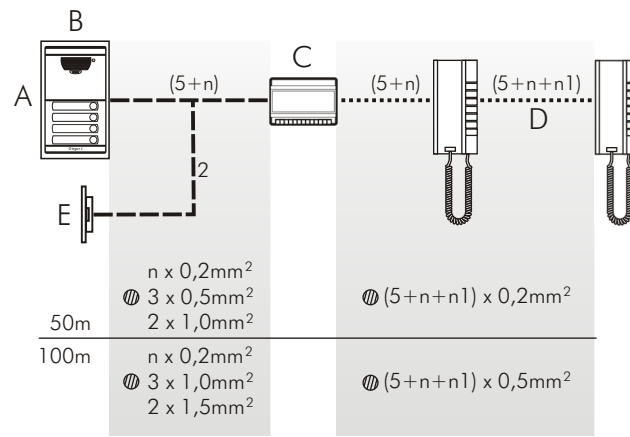
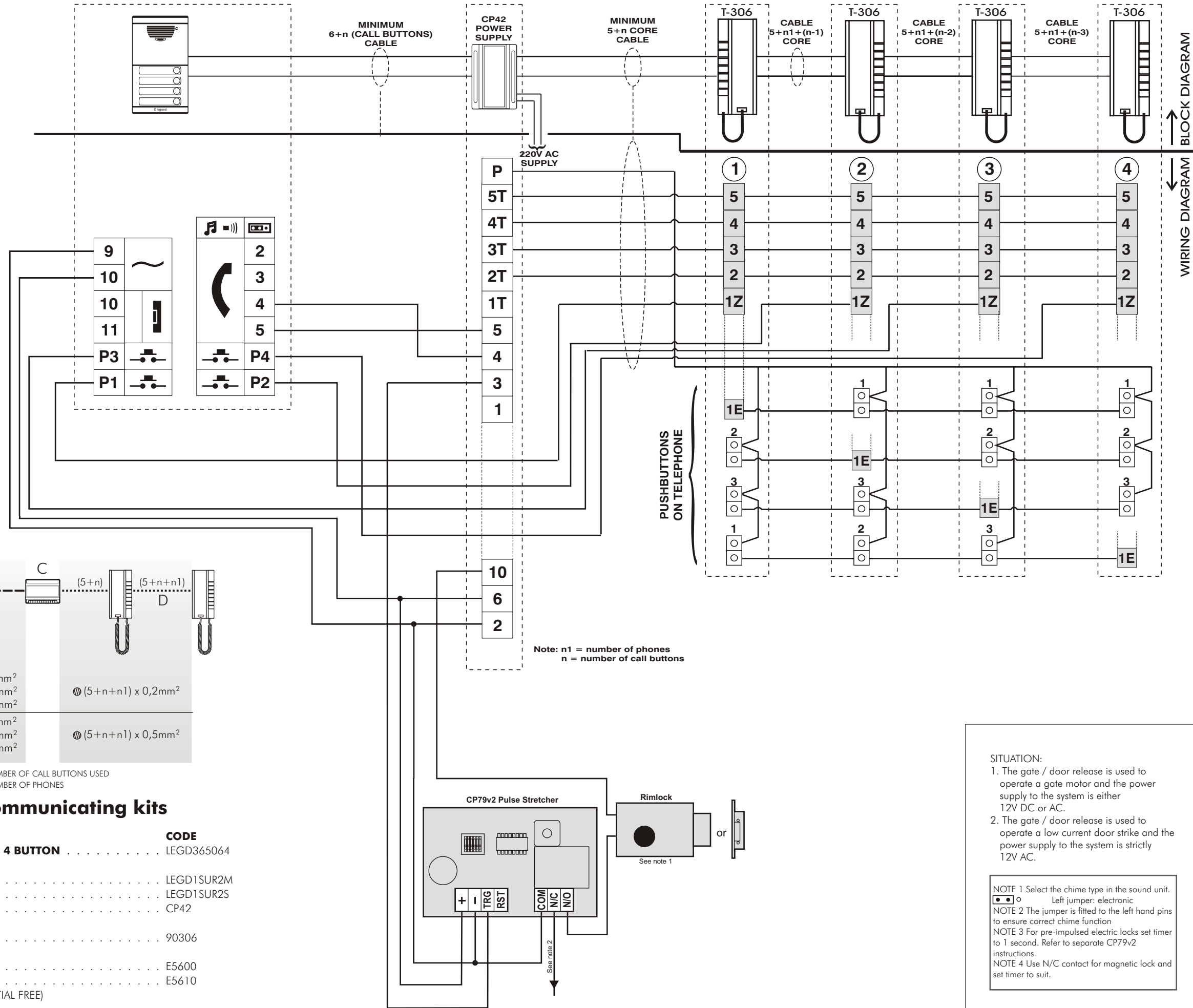




# Series 7

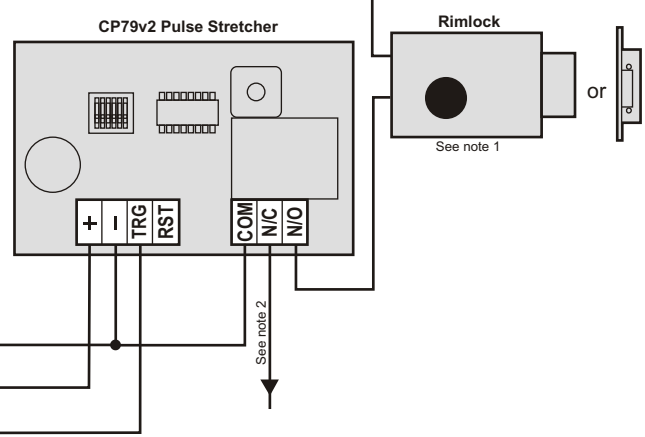


Note: - n = NUMBER OF CALL BUTTONS USED  
n1 = NUMBER OF PHONES

## intercommunicating kits

DESCRIPTION	CODE
A - FLUSH MOUNT PANEL, 4 BUTTON	LEGD365064
B - SURFACE BOX:	
MILD STEEL	LEGD1SUR2M
STAINLESS STEEL	LEGD1SUR2S
C - POWER SUPPLY	CP42
D - TELEPHONE:	
MULTIFUNCTION T306	90306
E - DOOR OPENER:	
NON-LATCHING	E5600
LATCHING	E5610
or GATE RELEASE (POTENTIAL FREE)	

- Call confirmation at gate station ● Electronic call at phone
- Separate call for intercommunication ● Maximum of seven phones in the system.



SITUATION:

- The gate / door release is used to operate a gate motor and the power supply to the system is either 12V DC or AC.
- The gate / door release is used to operate a low current door strike and the power supply to the system is strictly 12V AC.

NOTE 1 Select the chime type in the sound unit.  
 Left jumper: electronic  
 NOTE 2 The jumper is fitted to the left hand pins to ensure correct chime function  
 NOTE 3 For pre-impulsed electric locks set timer to 1 second. Refer to separate CP79v2 instructions.  
 NOTE 4 Use N/C contact for magnetic lock and set timer to suit.