



#### **Additional components required**

- Prox Reader (Solo or Lattice)

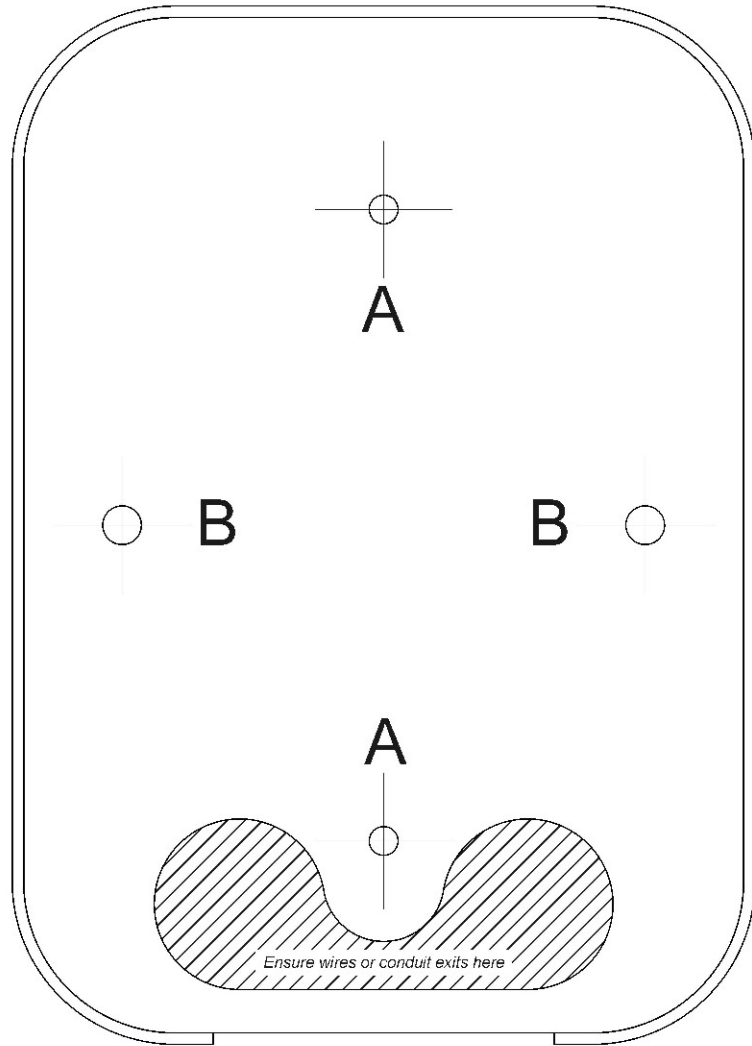
#### **Tools required**

- Hammer action drilling machine
- 5mm masonry drill bit
- #1 Posi-drive screwdriver

## **SURFACE MOUNTING OF ANTI-KNOCK SHIELD TO WALL**

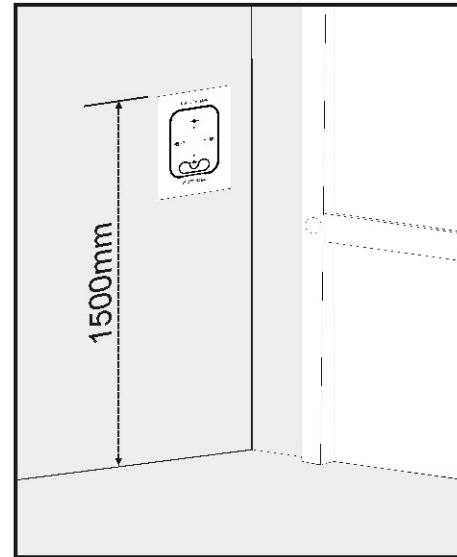
# **INSTALLATION INSTRUCTIONS**

# Drilling Template

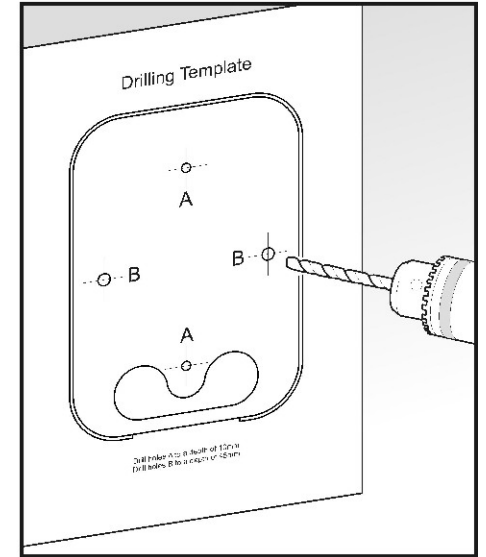


Drill holes A to a depth of 10mm  
 Drill holes B to a depth of 45mm

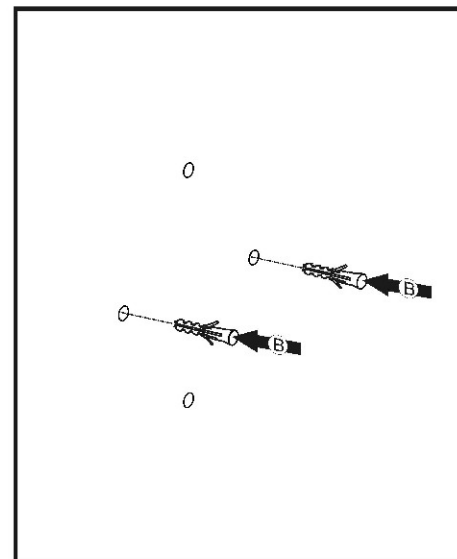
# Mounting Instructions



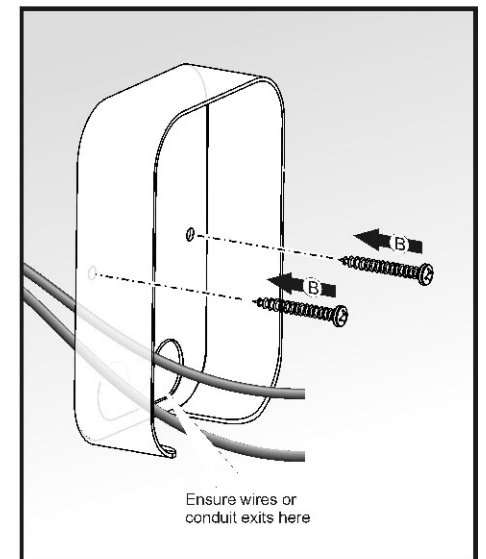
Position drilling template (provided alongside) at optimum height.



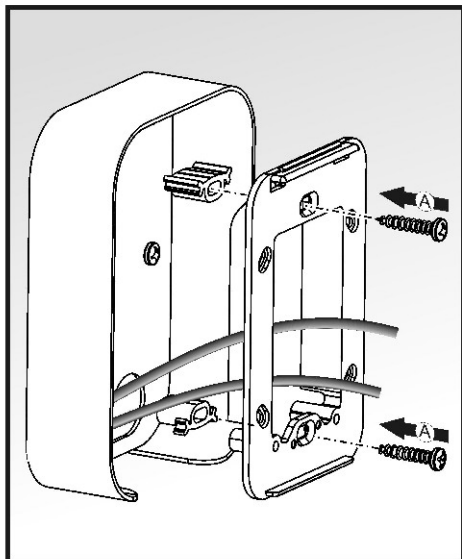
Drill holes as indicated on drilling template.



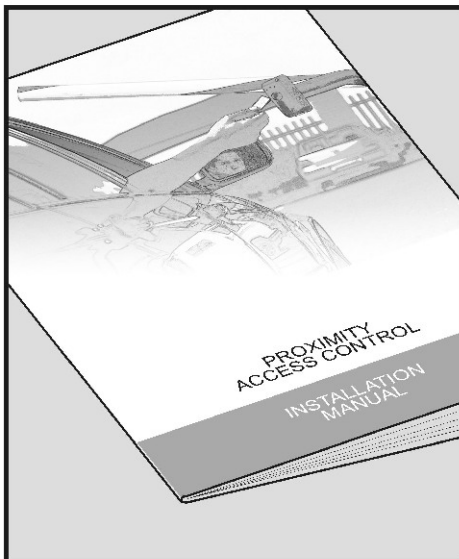
Insert Fisher plugs supplied with prox reader as indicated.



Attach the anti-knock shield to the wall using the 8 x 40 posi-drive screws supplied with the prox reader



Attach the mounting plate to the anti-knock shield with the 8 x 25 posi-drive screws



Refer to the installation manual supplied with the prox reader to complete the installation.

---

## Centurion Systems (Pty) Ltd Head Office:

Tel: +27 (0)11-699-2400, Fax: +27 (0)11-704-3412 or (0)11-462-6669

(Omit (0) when dialing from outside South Africa)

148 Epsom Avenue, North Riding

P.O. Box 506, Cramerview, 2060

South Africa

