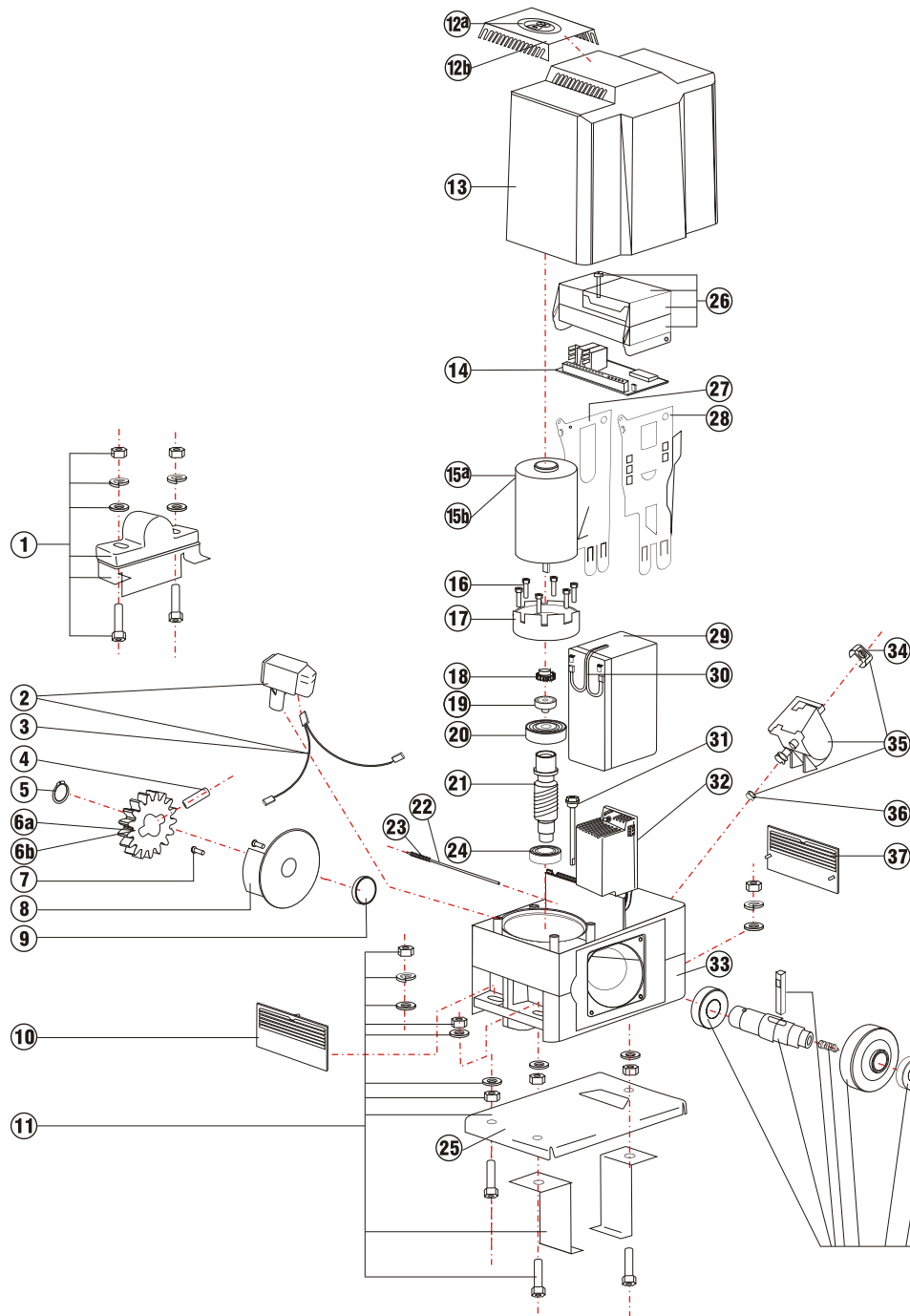
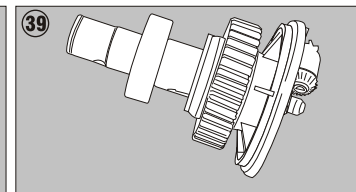
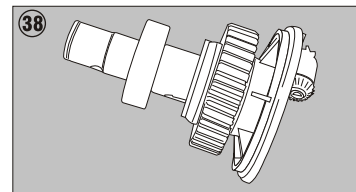


# EXPLODED ASSEMBLY DIAGRAM OF D3/D5 SEPTEMBER 2004



Item No	Part Number	Description	Item No	Part Number	Description
1	1099SUB008	D3/5 Gate Origin Magnet Mounting Kit	25	1010260000	Mounting Plate D5
2	1099SUB07N	D5 Magnetic Switch Assembly	26	10103701AS	CP 80 Enclosure Assembly
3	WHD3DOSSM2	Wiring Harness Doss & Sensor Plug	27	1010290000	Support Bracket D5 Slider (Battery Side)
4	F0840DOWEL	M8 x 40 Dowel Pin	28	1010280000	Support Bracket D5 Slider (DOSS Side)
5	F-CIRCLP24	Circlip, Exterior, Galvanised	29	CP4	CP4 Battery
6a	101007GKNO	17T Mod 4 Sintered Pinion D5 Sliders	30	WHHCen-BAT	D5 Battery Leads
6b	1099070001	D3 17T Nylon 66 Pinion 8mm Radial Pin	31	1010210205	Oil Level Dip Stick D5
7	B227504816	Screw, S/tap No 10 4.8 x 16	32	CP84E	CP84 Power Supply
8	1010060000	Pinion Guard D5	33	1010SUBAAA	D5 Gearbox Casing including brass inserts
9	BB/OS38257	Oil Seal 38 x 25 x 7	34	1010210308	DOSS Thumbwheel Cover
10	1010200000	Side Cover (Vertical) D5	35	1099SUB003	DOSS Assembly (external origin type)
11	1099SUB009	CP25 D5 Fastener Kit	36	1010210201	DOSS Drive Coupling (long)
12a	10102202D5	D5 Vent Cover (Logo)	37	1010230000	Side Cover (Horizontal) D5
12b	10102202D3	D3 Vent Cover (Logo)	38	1099SUB002	D3 Mainshaft Assembly
13	1010220101	D5 Exterior Cover (V2) Stiffened Lock	39	1010SUB00A	D5 Mainshaft Sub-Assembly
14	CP80	CP80 PC Board, Boxed	40	N12011000A	M10 x 1 Nut
15a	MKTR715212	D5 Motor, 12V DC, Type KR7152	41	1010020001	Chamber Cover V2 with cut out
15b	MTM6551000	D3 Motor M6551 12V 2850RPM MTR	42	B124110516	M5 x 16 Galvanised Cap Screw
16	B124110516	M5 x 16 Galvanised Cap Screw	43	101003ASY2	D5 Thumb Wheel V2
17	1010SUBBBB	D3/D5 Mounting Flange inc. 2 brass inserts	44	1010240001	D5 Door V2 (Stiffened Lip)
18	1099300700	D3 Drive Coupling (Motor Side)	45	1010250000	D5 Door Hinge Pin 4 x 125mm 304 SS
19	1099300800	D3 Drive Coupling (Wormshaft Side)	46	SPRCLIPCL1	Camlock Spring Clip
20	BB6205ZZ00	6205 Bearing	47	M-CP610SKA	Camlock K37-1 ATP 60198
21	1099100000	Wormshaft (Hex Coupling)	48	D5KEY	Spare Key for D3/D5 Motors
22	1010010101	Cover Lock Pin 3 x 150mm Notched	49	S5OIL75MLO	D5 Gearbox Oil Bottle (75ml)
23	1010010103	Cover Lock Pin Release Spring D5	50	1099070000	D3 Alternative Pinion with Axial Key
24	BB62030000	6203 Bearing Plain	51	1099090000	6x6 Key



**D3 Alternative Pinion  
Pre June 2001**

**Note:** Previously the D3 was fitted with a pinion which used an axial key along with a standard 6x6 key to locate it on the shaft.

ref. 1010.D.03.0169\_10

